

SMCC2 Series

LED Sign Module Specifications

Project _____

Date _____ Type _____



Features

- Adaptable design accommodates any application
- Super wide 170° beam angle
- 3M adhesive backing for easy mounting
- IP65 environmental rating
- UL Recognized component

Applications

Some common applications include sign lighting, bias lighting, cove lighting, backlighting, accent lighting, and under cabinet lighting.

Specifications

| Model SMCC2- | WxK2-12V | WxK3-12V | WxK4-12V | Wx2-12V | Wx3-12V | Wx4-12V |
|--------------------------------|-----------------------------|------------|------------|---|------------|------------|
| Voltage | 12 VDC | | | | | |
| Power Consumption (per module) | 1.2 W | 1.5 W | 2.4 W | 1 W | 1.5 W | 1.5 W |
| Current Draw (per module) | 100 mA | 125 mA | 200 mA | 83 mA | 125 mA | 125 mA |
| CCT | 4000K or 6500K (as ordered) | | | red, green, or blue (as ordered) ² | | |
| CRI | 70+ | | | N/A | | |
| Brightness | 115-125 lm | 170-185 lm | 230-250 lm | N/A | | |
| Beam Angle | 170° | | | | | |
| Ambient Operating Temperature | -4°-113° F (-20°-45° C) | | | -4°-122° F (-20°-50° C) | | |
| LED Lifetime (L70) | 35,000 hours | | | | | |
| Max Run ³ | 30 modules | 20 modules | 20 modules | 30 modules | 20 modules | 20 modules |

Available Models¹

4000K

- SMCC2-W40K2-12V
- SMCC2-W40K3-12V
- SMCC2-W40K4-12V

Red

- SMCC2-WR2-12V
- SMCC2-WR3-12V
- SMCC2-WR4-12V

6500K

- SMCC2-W65K2-12V
- SMCC2-W65K3-12V
- SMCC2-W65K4-12V

Green

- SMCC2-WG3-12V

Blue

- SMCC2-WB2-12V
- SMCC2-WB3-12V

Part Number Breakdown

Example: SMCC2-W40K3-12V

| Family | Housing Color | CCT/Color | LED Quantity ² | Voltage |
|--------|---------------|-------------|--|--------------|
| SMCC2 | W [white] | 40K [4000K] | 2 [2 LEDs] 3 [3 LEDs] or 4 [4 LEDs] | 12V [12 VDC] |
| | | 65K [6500K] | | |
| | | B [blue] | | |
| | | G [green] | | |
| | | R [red] | | |

¹Contact customer service if interested in options other than those listed.

²Not all sizes may be available in all colors

³Max run listed is using a single power supply connected at one end of the run with similar modules.

If run consists of multiple module sizes, do not exceed 3 A max load.



T 866.811.5550

F 314.972.6202

email: commercial-sales@superbrightleds.com

www.superbrightleds.com/cat/industrial-led-lighting/

Rev V2 Date: 7/07/2021

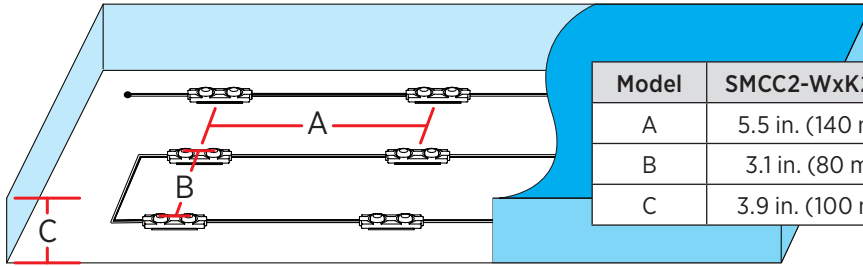
Specifications are subject to change without notice.

Printed in the U.S.A.

SMCC2 Series

LED Sign Module Specifications

Typical Mounting

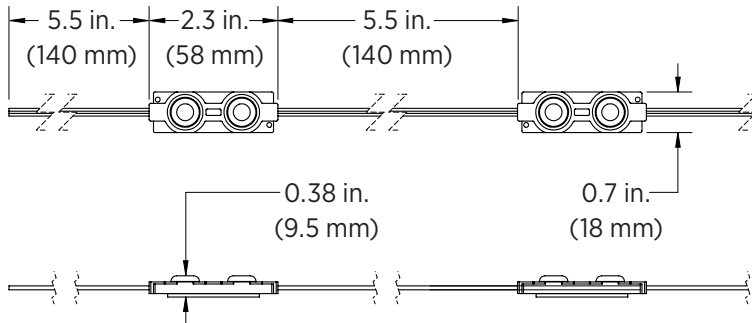


| Model | SMCC2-WxK2-12V | SMCC2-WxK3-12V | SMCC2-WxK4-12V |
|-------|------------------|------------------|------------------|
| A | 5.5 in. (140 mm) | 7.1 in. (180 mm) | 5.5 in. (140 mm) |
| B | 3.1 in. (80 mm) | 4.7 in. (120 mm) | 3.1 in. (80 mm) |
| C | 3.9 in. (100 mm) | 4.7 in. (120 mm) | 3.9 in. (100 mm) |

Dimensional Drawings

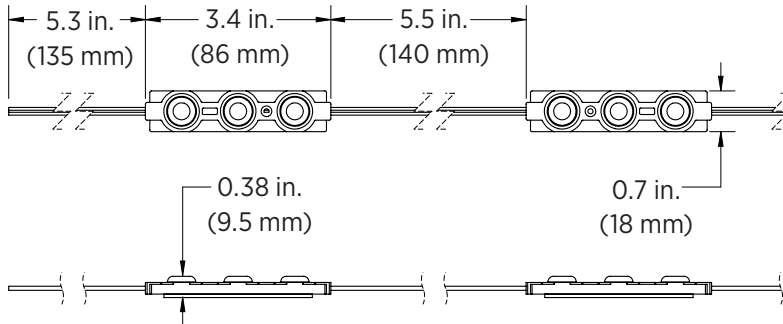
SMCC2-WxK2-12V / SMCC2-Wx2-12V

Total run length of a set of modules is 13.4 ft (4.09 m).



SMCC2-WxK3-12V / SMCC2-Wx3-12V

Total run length of a set of modules is 15.3 ft (4.65 m).



SMCC2-WxK4-12V / SMCC2-Wx4-12V

Total run length of a set of modules is 13 ft (3.96 m).

