

Important: Read all instructions prior to installation.

Solar-Powered Flood Light

Safety and Notes

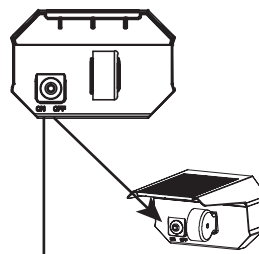
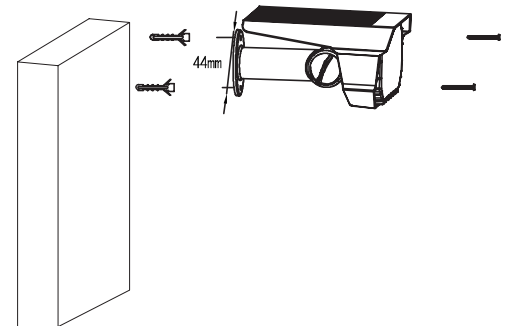
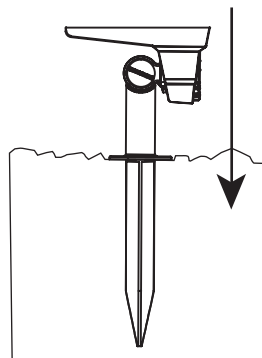
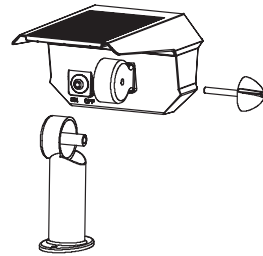
- For outdoor use only.
- Not for underwater use. Do not use with submersible or pool/spa equipment.
- Light will shut off automatically in excessively cold temperatures (below minimum operating temp.) to protect the light.
- Solar panel must be cleaned every three months for best lighting results.
- Weather and physical obstructions that block sunlight will negatively affect the ability of the light to charge. Make sure the light is installed in a location where direct sunlight is present.

Model	LFS-30K30
Operating Temperature	14°–104° F (-10°–40° C)
IP Rating	IP65
Charge Time	6–9 hours direct sunlight
Operation Time (approximate)	6 hours (high), 12 hours (low)



Installation Instructions

1. Attach the mounting arm to light.
2. If wall mounting, use flange to make holes and mount light securely to wall. If ground mounting, attach stake and firmly press stake end of light into moist soil without applying pressure to the light head directly.
 Note: Make sure installation location has adequate sunlight to support proper charging.
3. Press the power switch once to set the light to low mode. Press the switch a second time to set it to high mode. Pressing a third time will return the light to off.
4. Adjust light head to desired angle.



Power switch

