

Important: Read all instructions prior to installation.

Linkable Linear LED Light Fixture

Safety and Notes

- Product should be installed by a certified electrician in accordance with applicable national, state, and local electrical codes.
- To reduce the risk of electric shock, ensure that the main power source is switched off before performing any installation or wiring procedures.
- Product is for use in dry, indoor locations only.
- When installing multiple lights in a run, make sure to check for voltage drop. Minimum voltage must be maintained to avoid damaging lights.



Parts Included

- 1 - Integrated T5 Tube
- 2 - Mounting Brackets
- 2 - Mounting Bracket Screws
- 1 - Tube to Tube Butt Connector
- 1 - Powercord 6"
- 1 - Tube Endcap

Accessories (not included)

- 30cm Interconnect (IT-I30)
- 100cm Interconnect (IT-I100)
- 100cm Powercord (IT-P100)

Max Run¹

| Voltage | IT5-xW24 | IT5-xW36 |
|---------|----------|----------|
| 12 | 5 | 3 |
| 24 | 10 | 6 |
| 36 | 15 | 9 |

¹Do not exceed 5 A total load if combining multiple lengths of lights in one run.

Specifications

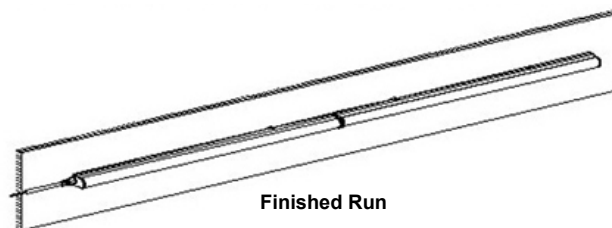
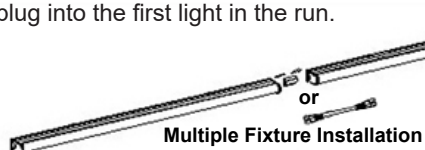
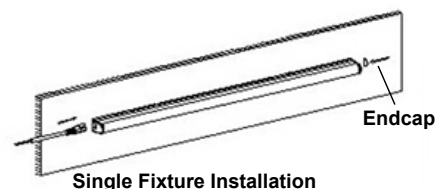
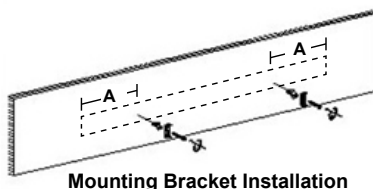
| IT5-NW24 | |
|-------------------------|--------------------------|
| Intensity | 800 lumen |
| Operating Voltage Range | 12–36 VDC |
| Beam Angle | 140 degree |
| LED Type / Quantity | 2835 SMD / 48 pcs |
| Color Temperature | 4000K |
| CRI | 73 CRI |
| Operating Temperature | -4 – 131°F (-20 – 55 °C) |
| Total Power Consumption | 10 Watts |
| IP Rating | IP40 |
| Fixture Weight | 4.2 oz (119 g) |
| Warranty | 2 year |

| IT5-NW36 | |
|-------------------------|--------------------------|
| Intensity | 1300 lumen |
| Operating Voltage Range | 12–36 VDC |
| Beam Angle | 140 degree |
| LED Type / Quantity | 2835 SMD / 72 pcs |
| Color Temperature | 4000K |
| CRI | 73 CRI |
| Operating Temperature | -4 – 131°F (-20 – 55 °C) |
| Total Power Consumption | 16 Watts |
| IP Rating | IP40 |
| Fixture Weight | 5.6 oz (158 g) |
| Warranty | 2 year |

| IT5-WW36 | |
|-------------------------|--------------------------|
| Intensity | 1300 lumen |
| Operating Voltage Range | 12–36 VDC |
| Beam Angle | 140 degree |
| LED Type / Quantity | 2835 SMD / 72 pcs |
| Color Temperature | 3000K |
| CRI | 73 CRI |
| Operating Temperature | -4 – 131°F (-20 – 55 °C) |
| Total Power Consumption | 16 Watts |
| IP Rating | IP40 |
| Fixture Weight | 5.6 oz (158 g) |
| Warranty | 2 year |

Installation Instructions

1. Drill pilot holes for mounting screws and install mounting clips approximately 8" from ends of fixture. This will allow the fixtures to slide into position while still maintaining adequate support. Repeat for all fixtures in the run.
2. Snap fixtures in place. Make connections between fixtures using supplied butt connector or optional interconnects.
3. Use tube end cap to cover unused power connector on the last fixture in the run.
4. Connect powercord to 12–24VDC power source and plug into the first light in the run.

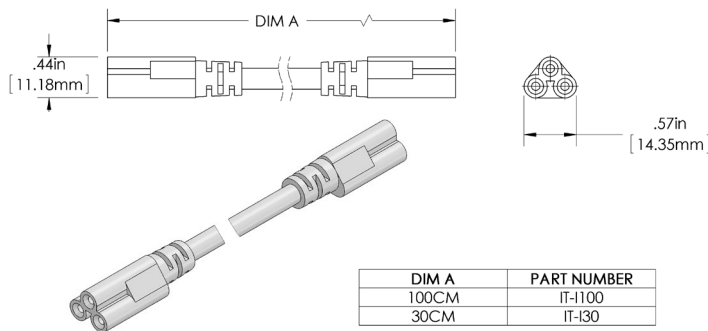


Important: Read all instructions prior to installation.

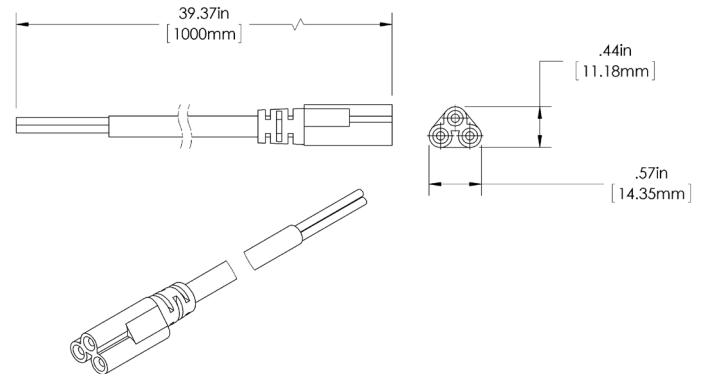
Linkable Linear LED Light Fixture

Accessories

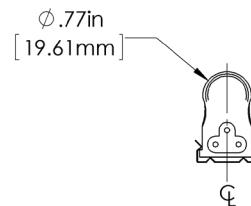
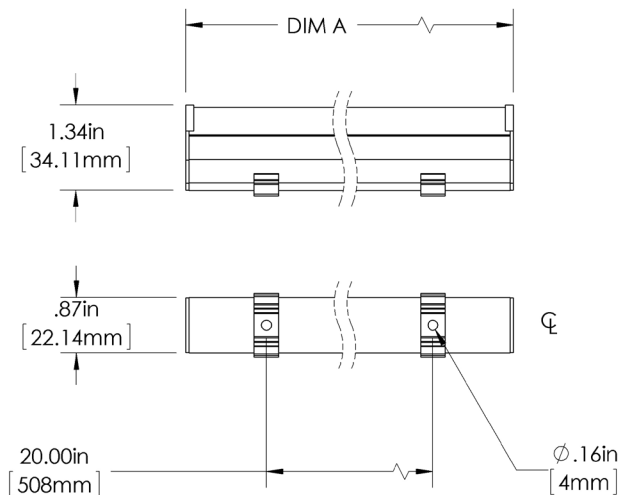
IT-I30, IT-I100



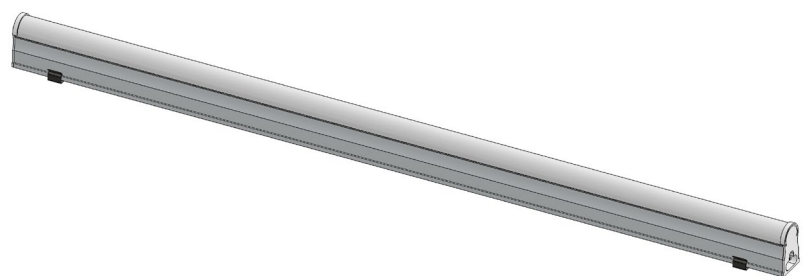
IT-P100



Dimensions



| DIM A | PART NUMBER |
|---------------------|-------------|
| 22.5375" (572.45mm) | IT5-NW24 |
| 34.25" (869.95mm) | IT5-xW36 |



NOTE: MOUNTING BRACKETS CAN BE ATTACHED ANYWHERE ON THE ALUMINUM PROFILE

Wiring Diagram

