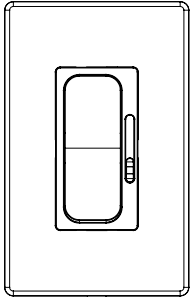
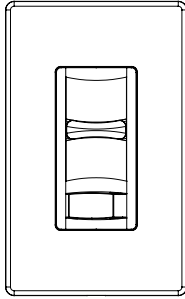


Important: Read all instructions prior to installation.

TRIAC Dimmer Switch



DMR-TT01-3WH



DMR-TS01-3WH

Safety and Notes

WARNING AND CAUTION

- Risk of fire and electrical shock, the dimmer should be installed in accordance with appropriate electrical codes and regulations.
- This product should be used together with an upstream air-gap switch.
- Turn power off at circuit breaker or fuse and test that power is off before installing.
- Once the dimmer is successfully installed, it is recommended to adjust the minimum desired brightness level and set the maximum brightness to the desired range, then test the ON/OFF switch to ensure the light is working after adjustments are completed.
- If you are unsure about any part of these instructions, consult a licensed electrician.
- To reduce risk of overheating and possible damage to other equipment, do not install to control a receptacle, a motor-operated appliance or transformer-supplied appliance.
- Use with compatible dimmable LED, CFL, incandescent, or halogen bulbs only.
- When multiple bulbs are used with one dimmer, DO NOT mix bulb types. All bulbs must be either LED, CFL, or incandescent. Using the same model of each bulb will enhance dimmer performance.

INSTALLATION TOOLS

- Voltage tester, pliers, wire cutters, Phillips screwdrivers, electrical tape, measuring tools, and more may be required for proper installation. Make sure all necessary tools are available before beginning installation.

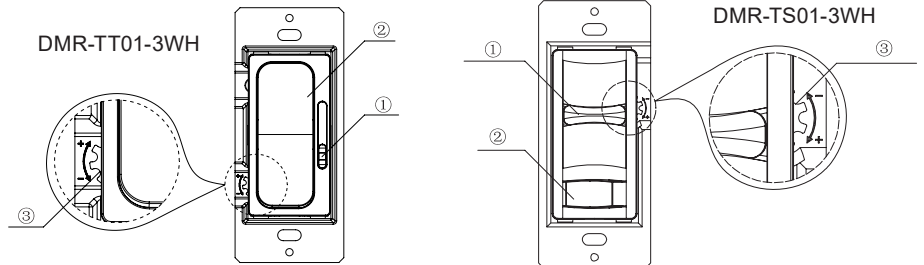
Specifications

Specifications	
Rated Voltage	120 VAC
Rated Frequency	60 Hz
Load Range	Incandescent: 15–600 W LED/CFL: 3–200 W
Dimming Method	Phase-cut
Operating Temperature	32°–104° F(0°–40° C)
Humidity Range	10–90% R.H.

Troubleshooting

Problem	Possible Cause	Solution
lights flickering	lamp has a bad connection	recheck connections, check for correct wiring, and check trim adjustment
LED and CFL bulbs flicker at low end of the dimming range	incompatible trim setting and light	set the dimming trim adjustment to a higher level
lights do not turn on	circuit breaker has tripped or fuse burned out	reset breaker or replace fuse
	lamp burned out	replace the lamp
	connection is not wired correctly	check wiring

Switch Layout



1. Slide Dimming Control

Move the slide up to increase brightness and move down to decrease brightness.

2. Rocker Switch

Press the rocker switch to turn the power ON or OFF.

3. Dimming Trim Adjustment Wheel

Facing the front of the switch, turn the adjustment wheel clockwise to increase minimum brightness or counter-clockwise to decrease minimum brightness.

Depending on the connected light, this can also make the bulbs turn on/off with the dimmer. For further details, see testing guidelines.

Important: Read all instructions prior to installation.

TRIAC Dimmer Switch

Switch Installation

- 1. WARNING:** To avoid fire and electrical shock, **TURN OFF ALL THE POWER** at the breaker before wiring.
- If replacing an existing switch, carefully unscrew and remove the old switch from the wall box. **DO NOT** disconnect the wires from the switch at this time.
- Identify the type of circuit (1-way or 3-way). Proceed to step 4a for 1-way wiring or step 4b for 3-way wiring.

Note: If the wiring in the wall box does not resemble any of the configurations to the right, please consult an electrician.

1-Way Wiring

4a. Connect the green wire on the dimmer to the green or bare copper ground wire in the wall box using the included twist-on wire connector.

5a. Connect the black wire on the dimmer to the line wire of circuit breaker using the included twist-on wire connector.

6a. Connect the red wire on the dimmer to the load wire using the included twist-on wire connector.

7a. The red and white wire is only used for 3-way connections, so cap the remaining red and white wire on the dimmer with twist-on wire connector.

Skip to step 11 here if using 1-way wiring.

3-Way Wiring

IMPORTANT: In a 3-way circuit, only one dimmer can be used.

Location 1

4b. Connect the green wire on the dimmer to the green or bare copper ground wire in the wall box using the included twist-on wire connector.

5b. Connect the black wire on the dimmer to the live wire of circuit breaker using the included twist-on wire connector.

6b. Connect the red and white wire on the dimmer to traveler 2 wire using the included twist-on wire connector.

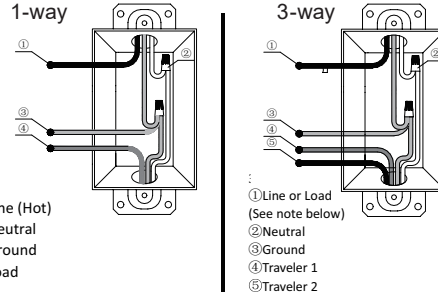
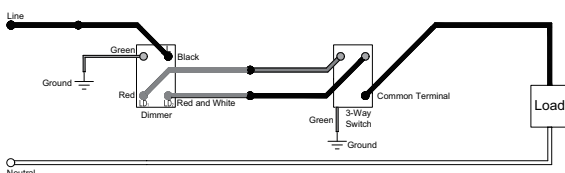
7b. Connect the red wire on the dimmer to traveler 1 wire using the included twist-on wire connector.

Location 2

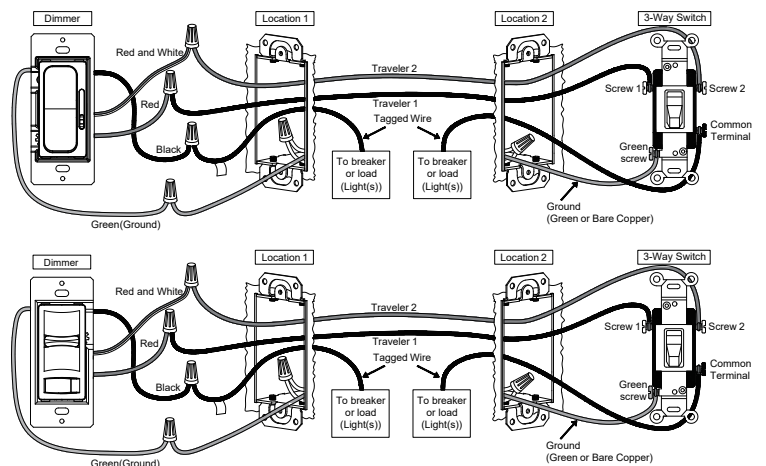
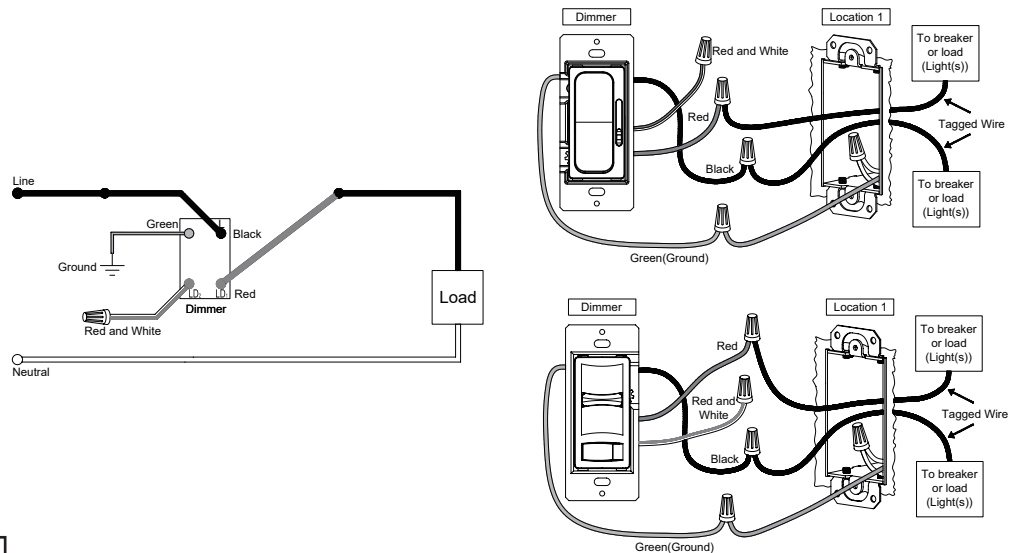
8b. Connect traveler 1 to screw 1 of the 3-way switch.

9b. Connect traveler 2 to screw 2 of the 3-way switch.

10b. Connect the 3-way switch's common terminal to the live wire of circuit breaker using the included twist-on wire connector.



IMPORTANT: For 3-way applications, note that one of the screw terminals from the old removed switch will usually be a different color (black) or labeled "common". Tag that wire with electrical tape and identify it as the common (line or load) in both the dimmer wall box and the 3-way wall box.



Important: Read all instructions prior to installation.

TRIAC Dimmer Switch

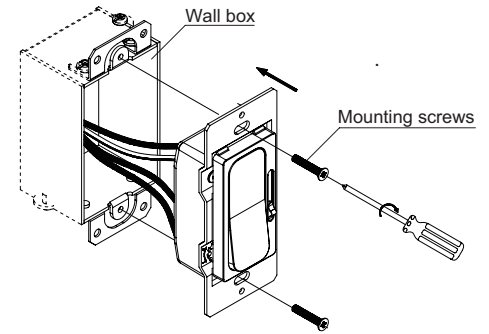
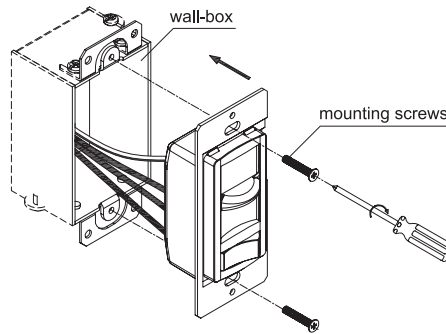
Switch Installation (continued)

11. Carefully position all wiring inside the junction box, allowing enough room to insert the dimmer switch, then gently place the dimmer inside the junction box and line up the mounting holes.

12. Mount the dimmer securely to the junction box using the provided screws.

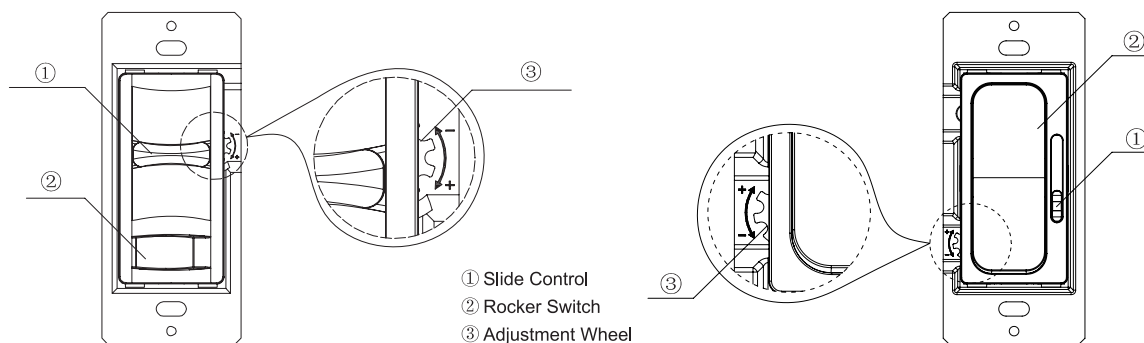
13. Apply power and check to make sure the dimmer and switch work properly (as well as the secondary switch on 3-way installations).

Note: Dimmable LEDs may not dim as low as incandescent or halogen bulbs. Dimming range of dimmable LEDs can vary from manufacturer to manufacturer. If your bulbs do not dim to properly, specifically the dimming range and minimum brightness level, use the trim setting instructions below.



Trim Setting Adjustment

1. Set the slide control (1) to 30–50% position.
2. Push the rocker switch (2) to the ON position to turn on the lights, then move the slide control (1) down to the lowest setting.
3. Slowly turn the trim adjustment wheel (3) to the lowest brightness level where the light output for all the bulbs is stable and does not flicker or flash.
4. Push the rocker switch (2) off and back on again to verify that all the bulbs turn on and do not flicker or flash.
5. If all or some bulbs do not turn on or the minimum brightness level of the bulbs is not adequate, turn the trim adjustment wheel (3) clockwise slowly until all the bulbs work properly and the minimum brightness level is achieved.



- ① Slide Control
- ② Rocker Switch
- ③ Adjustment Wheel