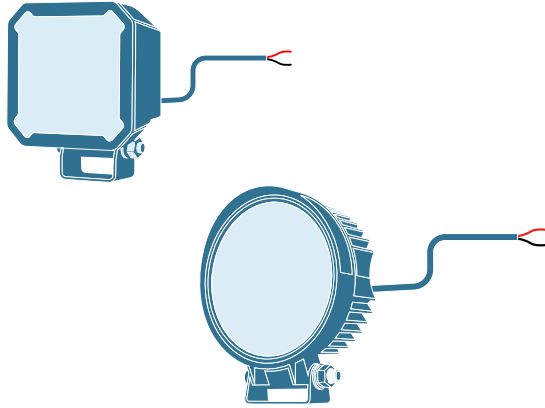


Important: Read all instructions prior to installation.

Off-Road Vehicle Light Pod Installation



Safety and Notes

- To reduce the risk of electric shock, ensure that the main power source is disconnected before performing any installation or wiring procedures.
- Avoid looking directly into lamp when illuminated.
- Ensure all connections are secure before applying power. Loose/improper connections may cause abnormal operation.

Wiring Diagram



General Recommendations

Basic steps for all off-road light pod installations

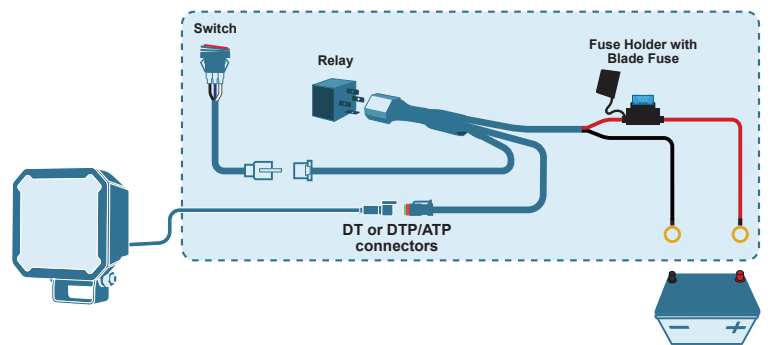
1. Bench test all parts before installation.
2. Securely install hardware without overtightening.
3. Keep all lights and wires away from moving parts, sharp edges, abrasive surfaces, and heat sources.
4. Before drilling holes, check behind locations to prevent damage.
5. Secure wiring to avoid damage.
6. Follow manufacturer installed vehicle wiring harness as a safe path.
7. Install fuses for all connections within 18" of battery/power source.
8. For best results, double-check beam aim and tighten all mounting hardware after each installation.
9. Optional remote-controlled switches speed up installation time and avoid routing wires through firewall.

Installation Instructions

Use instructions that most closely match light pod wiring.

With Super Bright LEDs Harness

1. Find a suitable location to run wires and mount light pod. Mark mounting hole and drill appropriate-sized hole. Use included hardware to mount light. Optional brackets, clamps, and magnetic systems are available for mounting.
2. Route lighting side of wiring harness from battery to light and connect harness to light. Prolonged abrasion of wires may cause a short circuit. You can retrofit lights with wire pigtails with DT or DTP/ATP connectors from harness kit or purchase them individually.
3. Route switch portion of harness to desired location. Unplug switch from harness to make routing easier.
4. Drill an appropriate-sized hole and mount switch. Connect wires to switch and mount. Illuminated rectangular rocker switches are available.
5. Connect black (ground) wire with large ring terminal from harness to negative battery terminal, and connect red (power) wire with large ring terminal from harness to positive battery terminal.
6. Secure relay and test lights to ensure circuit works.
7. Where applicable, adjust mounting bracket to aim light for proper illumination. Tighten bracket hardware to fix light once desired position is achieved.



Light Pod Accessories

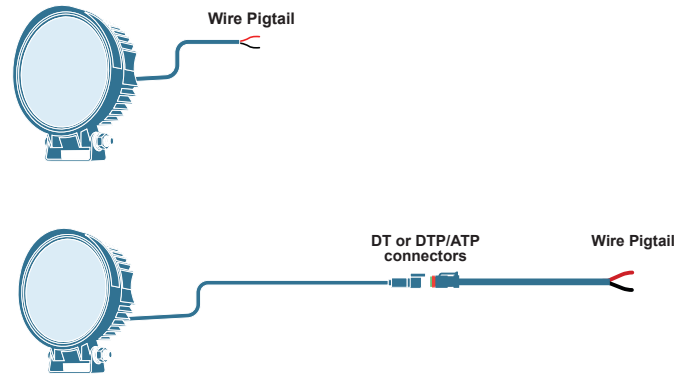


Important: Read all instructions prior to installation.

Installation Instructions (cont.)

With Existing Wiring

1. Disconnect existing lighting circuit from battery or remove existing fuse. Find a mounting location that allows running wires. Mark mounting location of light pod bracket and drill holes. Repeat for all light pods.
2. Use included hardware to mount light. Optional brackets, clamps, and magnetic systems are available for mounting.
3. Connect black ground wire of new light pod to existing ground wire with solder and heat shrink tubing (DWS-x) or perma-seal butt connectors (PSC-x). Then, connect red power wire of new light pod to existing power wire.
4. You can utilize ATP or DT connectors with corresponding ATP (ATP-MPT) or DT (DT-MPT) pigtails.
5. Reconnect existing lighting circuit from battery or replace fuse and test light to ensure circuit works.
6. Where applicable, adjust mounting bracket to aim light for proper illumination. Tighten bracket hardware to fix light once desired position is achieved.



Note: Ensure you have all necessary components prior to installation

With Wire Pigtail, No Wiring Harness

1. Find suitable locations to run wires and mount light pod. Mark mounting holes and drill appropriate-sized holes. Use included hardware to mount lights. Optional brackets, clamps, and magnetic systems are available for mounting.
2. Drill an appropriate-sized hole and mount switch (RS-x, RRS-SPx, or WRRS-SPR). Illuminated rectangular rocker switches are available.
3. Cut a section of two-conductor wire to run from battery to light. Install fuse holder (WMFH) with appropriately sized fuse (MAF-x) within 18 inches of battery between switch and battery on red wire. Attach appropriately sized ring terminals to both wires at battery end of wire run.
4. Safely route wiring from battery to light and secure. Connect negative wire from battery to black pigtail wire (DT-MPT or ATP-MPT). Connect switch output terminal to red pigtail wire.
5. Connect positive wire from battery to switch input terminal.
6. Connect black wire ring terminal to negative battery terminal.
7. Connect switch input terminal fuse holder output wire and connect red wire ring terminal to positive battery terminal. Test lights to ensure circuit works.
8. Where applicable, adjust mounting bracket to aim light for proper illumination. Tighten bracket hardware to fix light once desired position is achieved.

