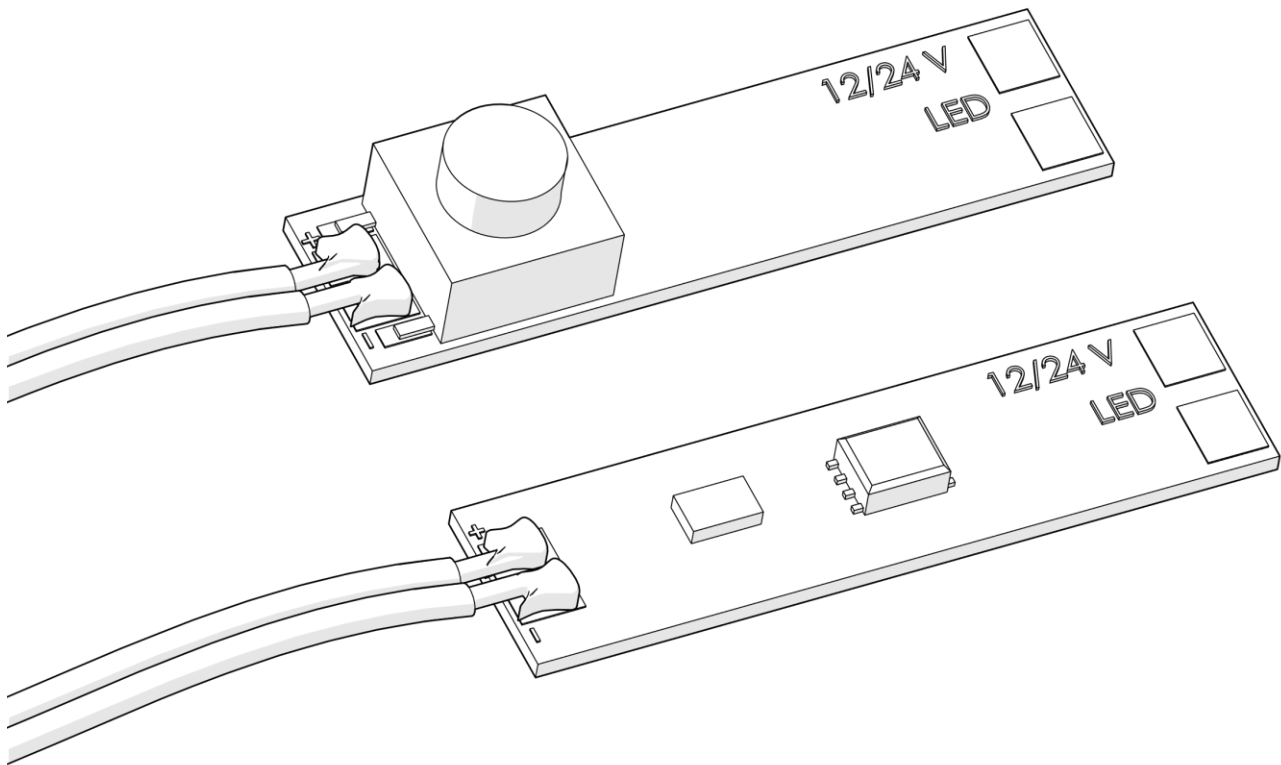
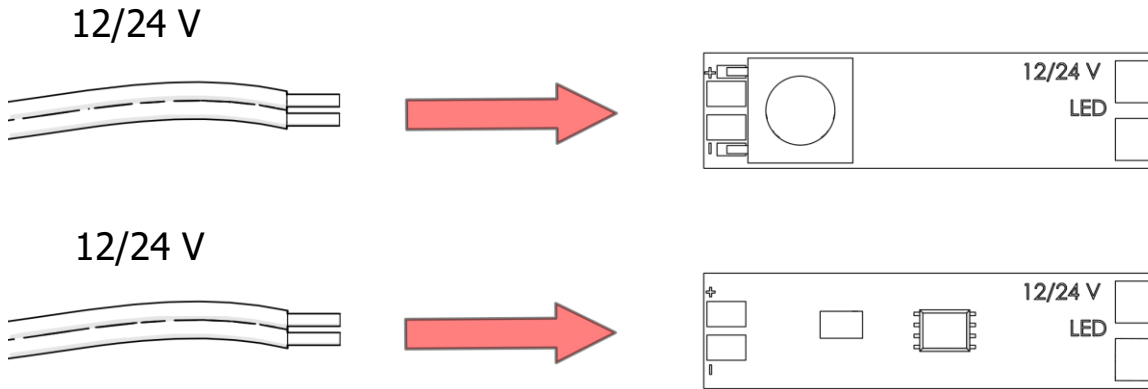


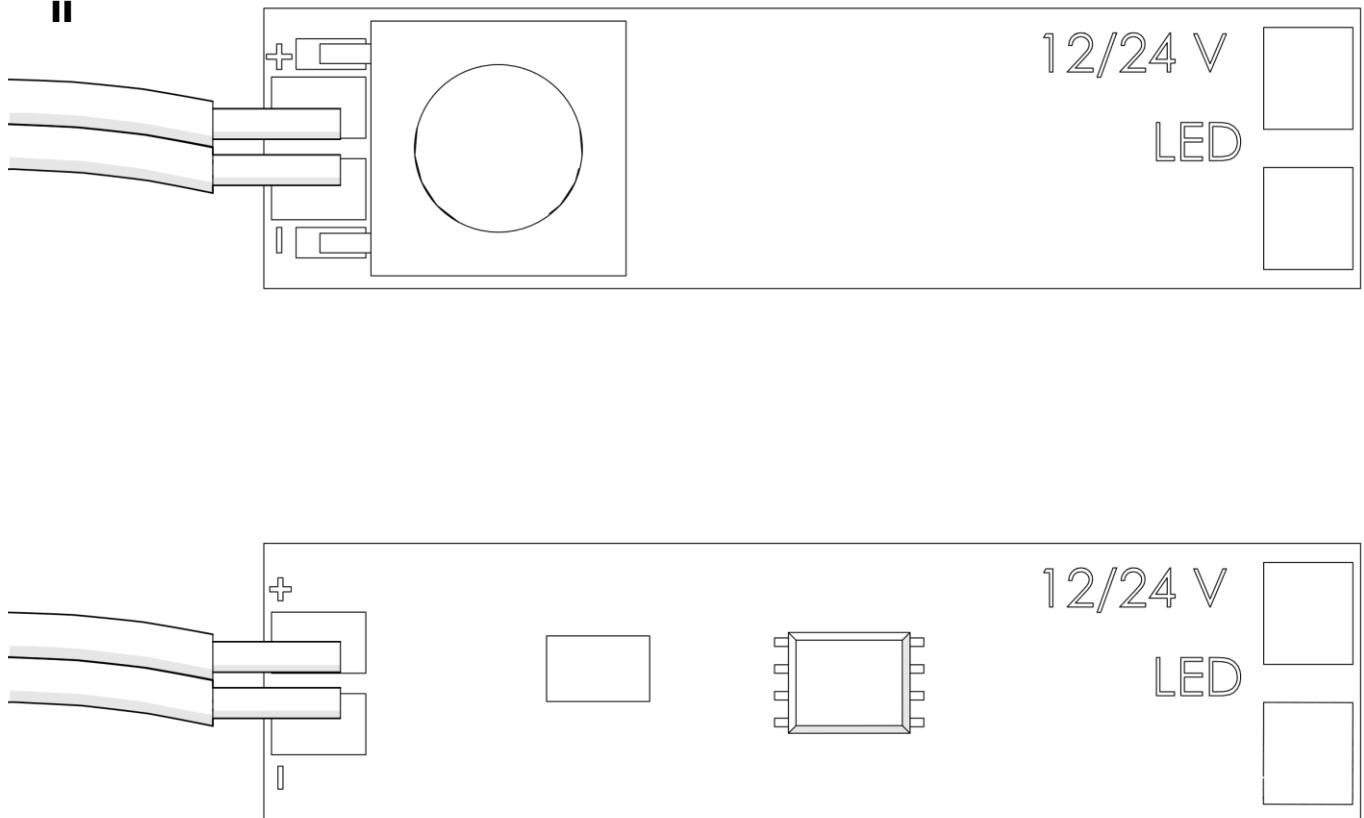
MICRO switch Proximity switch



I



II



III

