

LHBDS1 Series

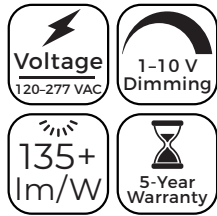
LED Linear Highbay Specifications

Project _____

Date _____ Type _____



LHBDS1-50K220FL-P3WH3



Available Models¹

- LHBDS1-50K90FL-P3WH2
- LHBDS1-50K110ML-P2WH2
- LHBDS1-50K135FL-P3WH2
- LHBDS1-50K165ML-P2WH2
- LHBDS1-50K220ML-P2WH2
- LHBDS1-50K220FL-P3WH3
- LHBDS1-50K300ML-P2WH3

Part Number Breakdown

Example: LHBDS1-50K165ML-P2WH2

Family	Color Temperature	Wattage	Lens	DLC Certification	Finish	Size
LHBDS1	50K [5000K]	90 [90 W]	FL [frosted]	P2 [DLC 5.1]	WH [white]	2 [narrow, 2' long]
		110 [110 W]	ML [prismatic]	P3 [DLC 5.0]		
		135 [135 W]	FL [frosted]	P2 [DLC 5.1]		
		165 [165 W]	ML [prismatic]	P3 [DLC 5.0]		
		220 [220 W]	ML [prismatic]	P3 [DLC 5.0]		
		220 [220 W]	FL [frosted]	P2 [DLC 5.1]		
		300 [300 W]	ML [prismatic]	P3 [DLC 5.0]		3 [wide, 2' long]

Description

LHBDS1 series linear high bay lights offer a replacement for traditional fluorescents that achieves higher efficacy with a housing that is more compact and lighter weight than traditional high bays. Both frosted and prismatic anti-glare lens designs create a wide beam distribution with optimal lumen output for high industrial and commercial ceiling application.

Mechanical

- Includes hanging kit for suspension mounting
- Slim, white steel body has a depth of up to 2.2 in.
- Optional accessories include wire guard for additional protection from impact and pendant mount
- Operating temperature of -40°-122° F (-40°-50° C)
- IP20 rated and suitable for damp locations

Electrical

- 120-277 VAC input and ≥0.9 power factor
- 1-10 V dimming
- pigtail wire connection
- 50,000 hours (L70 rated) lifespan

Photometrics

- Frosted/prismatic (varies by model) PMMA lens for smooth 5000K light diffusion
- 100° beam pattern

Application

Easily replace traditional T5 and T8 high bay fixtures as well as metal-halide high bays in many applications including factories, warehouses, packaging and distribution facilities, manufacturing plants, retail spaces, gymnasiums, and other large, high ceiling spaces.

Warranty

Five (5) Year Warranty

Certifications and Compliances

UL Listed for damp or dry locations, and RoHS compliant.



Optional Accessories

Note: See accessory page for accessory specs and compatibility.

Pendant Mount Brackets

- LHBDS1-C1
- LHBDS1-C2

Wire Guards

- LHBDS1-WG1
- LHBDS1-WG2
- LHBDS1-WG3

¹Contact customer service if interested in options other than those listed.



LHBDS1 Series

LED Linear Highbay Specifications

Specifications

Model LHBDS1-	50K90FL-P3WH2	50K110ML-P2WH2	50K135FL-P3WH2	50K165ML-P2WH2
Intensity	13,050 lm	15,400 lm	19,575 lm	22,275 lm
Operating Voltage	120-277 VAC			
Power Consumption	90 W	110 W	135 W	165 W
Current Draw	750 mA @ 120 VAC / 325 mA @277 VAC	917 mA @ 120 VAC / 397 mA @277 VAC	1.13 A @ 120 VAC / 487 mA @277 VAC	1.38 A @ 120 VAC / 596 mA @277 VAC
Efficacy	145 lm/W	140 lm/W	145 lm/W	135 lm/W
Color Temperature	5000K			
Beam Angle	100°			
CRI	80+			
Power Factor	≥0.9			
Dimming	1-10 V			
Environmental Rating	IP20, damp or dry location only			
Ambient Operating Temperature	-40°-122° F(-40°-50° C)			
Product Weight	8.8 lb (4 kg)	8.9 lb (4.1 kg)	10 lb (4.5 kg)	9.7 lb (4.4 kg)
Rated Life (L70)	50,000 hours			

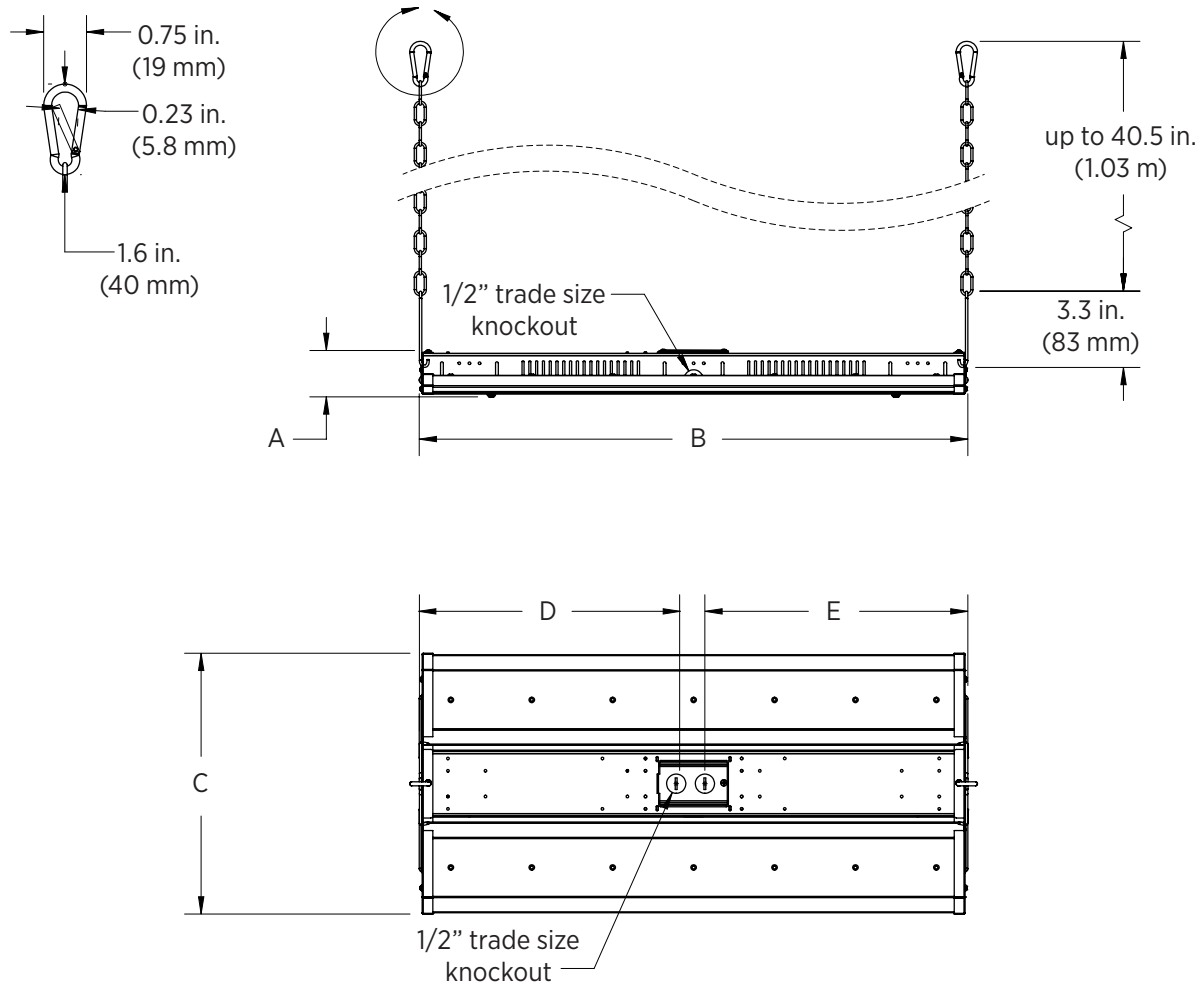
Model LHBDS1-	220ML-P2WH2	220FL-P3WH3	300ML-P2WH3
Intensity	30,800 lm	31,900 lm	40,500 lm
Operating Voltage	120-277 VAC		
Power Consumption	220 W	220 W	300 W
Current Draw	1.83 A @ 120 VAC / 794 mA @277 VAC	1.83 A @ 120 VAC / 794 mA @277 VAC	2.5 A @ 120 VAC/ 1.08 A @277 VAC
Efficacy	140 lm/W	145 lm/W	135 lm/W
Color Temperature	5000K		
Beam Angle	100°		
CRI	80+		
Power Factor	≥0.9		
Dimming	1-10 V		
Environmental Rating	IP20, damp or dry location only		
Ambient Operating Temperature	-40°-122° F(-40°-50° C)		
Product Weight	11.4 lb (5.2 kg)	15.5 lb (7 kg)	17.5 lb (7.9 kg)
Rated Life (L70)	50,000 hours		



LHBDS1 Series

LED Linear Highbay Specifications

Dimensional Drawings (Fixture)



Model	Height (A)	Length (B)	Width (C)	Length (D)	Length (E)
LHBDS1-50K90FL-P3WH2 LHBDS1-50K110ML-P2WH2 LHBDS1-50K135FL-P3WH2 LHBDS1-50K165ML-P2WH2	2 in. (51 mm)	24.75 in. (629 mm)	11.8 in. (300 mm)	11.25 in. (286 mm)	11.75 in. (298 mm)
LHBDS1-50K220ML-P2WH2	2 in. (51 mm)	24.75 in. (629 mm)	14.25 in. (362 mm)	11.25 in. (286 mm)	11.75 in. (298 mm)
LHBDS1-50K220FL-P3WH3 LHBDS1-50K300ML-P2WH3	2.2 in. (55 mm)	35.5 in. (902 mm)	15.2 in. (386 mm)	17.5 in. (445 mm)	17.5 in. (445 mm)

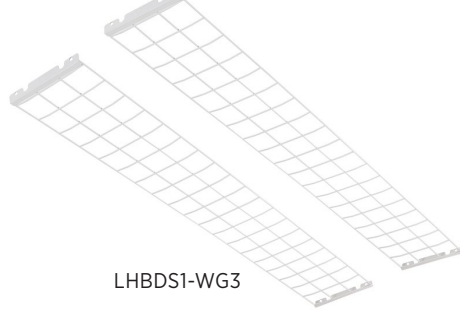


LHBDS1 Series

LED Linear Highbay Specifications

Accessory Types

Wire Guard



LHBDS1-WG3

Pendant Mount Bracket



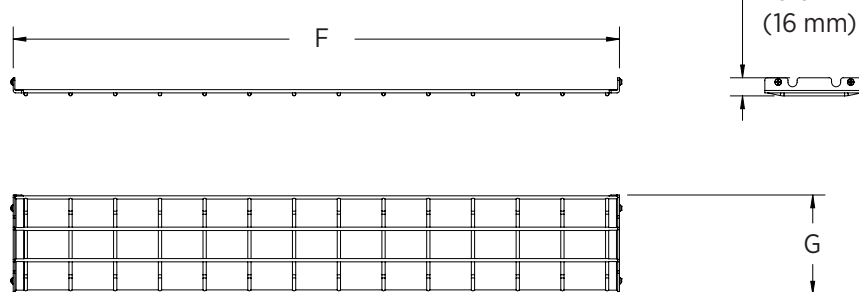
LHBDS1-C1

Optional Accessory Compatibility

Light	Compatible Pendant Mount Bracket	Compatible Wire Guard
LHBDS1-50K90FL-P3WH2	LHBDS1-C1	LHBDS1-WG1
LHBDS1-50K110ML-P2WH2	LHBDS1-C1	LHBDS1-WG1
LHBDS1-50K135FL-P3WH2	LHBDS1-C1	LHBDS1-WG1
LHBDS1-50K165ML-P2WH2	LHBDS1-C1	LHBDS1-WG1
LHBDS1-50K220ML-P2WH2	LHBDS1-C1	LHBDS1-WG2
LHBDS1-50K220FL-P3WH3	LHBDS1-C2	LHBDS1-WG3
LHBDS1-50K300ML-P2WH3	LHBDS1-C2	LHBDS1-WG3

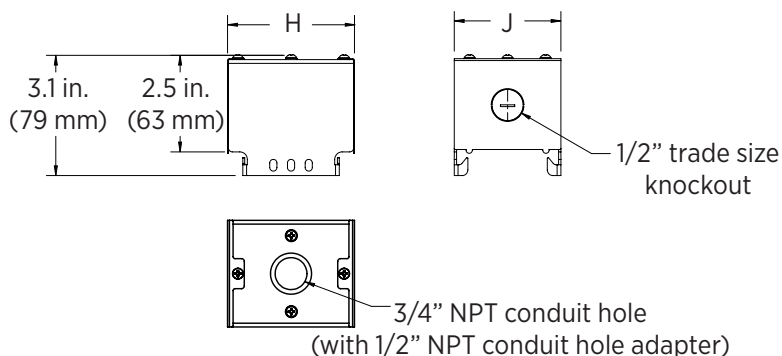
Dimensional Drawings (Accessory)

Wire Guard



Model	Length (F)	Width (G)
LHBDS1-WG1	24.6 in (625 mm)	4 in. (103 mm)
LHBDS1-WG2	24.6 in (625 mm)	5.1 in. (130 mm)
LHBDS1-WG3	35.25 in (895 mm)	5.1 in. (130 mm)

Pendant Mount Bracket



Model	Length (H)	Width (J)
LHBDS1-C1	3.4 in (86 mm)	3.1 in. (78 mm)
LHBDS1-C2	3.7 in (94 mm)	4.1 in. (105 mm)

