

OW0104G Series

LED Bulkhead Wall Light Specifications

Project _____

Date _____ Type _____



Description

OW0104G series bulkhead wall lights provide reliable illumination and an architectural design. Clean, caged design is reminiscent of nautical or industrial environments and combines with the powder-coated finish a give a classic, appealing design suitable for both interior and exterior spaces. Glass lens and aluminum housing offer increased weather resistance for outdoor use. With a depth of only 4.1 inches, the oval-shaped fixture mounts to walls or ceilings without protruding too far into a space.

Mechanical

- Traditional oval shape and caged design maintains industrial or nautical style
- Integrated LEDs eliminate need for replacement bulbs
- Bronze or white powder-coated aluminum housing and frosted polycarbonate lens
- Operating temperature of -13°-104° F (-25°-40° C)
- IP54 environmental rating
- Compact size of 8.6" x 5" x 4.1"

Electrical

- 120 VAC input
- 50,000 hour rated LED lifespan
- ≥0.95 power factor

Photometrics

- 130° beam angle
- 3000K or 4000K versions

Available Models¹

Achitectural Bronze Finish

- OW0104G-12-830-ORB
- OW0104G-12-840-ORB

White Finish

- OW0104G-12-830-WH
- OW0104G-12-840-WH

Part Number Breakdown

Example: OW0104G-12-830-ORB

Family	Wattage	Size (footprint)	Color Temperature	Finish
OW0104G	12 [12 W]	8 [8.6" x 5"]	30 [3000K] or 40 [4000K]	ORB [bronze] or WH [white]

Certifications and Compliances

These lights are ETL Listed in compliance with UL 1598 (IFAM).



Application

Easily replace inefficient metal-halide fixtures such as those found in warehouses, parking lots and garages, gas stations, and other commercial and industrial spaces. These are also a great solution for entryways, walkways, and other areas where good lighting is essential for security.

Warranty

Five (5) Year Warranty

Notes

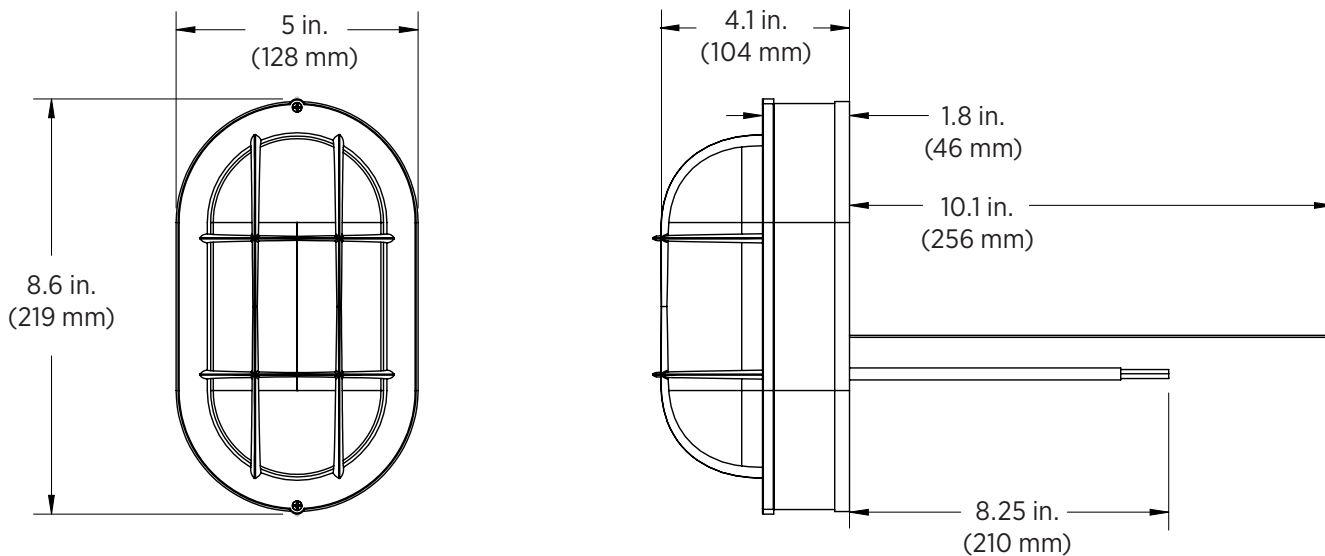
¹Contact customer service if interested in options other than those listed.



OW0104G Series

LED Bulkhead Wall Light Specifications

Dimensions



Specifications

Model	OW0104G-12-8x0-ORB	OW0104G-12-8x0-WH
Operating Voltage	120 VAC	
Power Consumption	12 W	
Current Draw	100 mA	
Intensity	780 lm	
Efficacy	65 lm/W	
Color Temperature	3000K or 4000K (as ordered)	
Beam Angle	130°	
CRI	80+	
Dimming	non dimmable	
IP Rating	IP54	
Ambient Operating Temperature	-13°-104° F (-25°-40° C)	
Product Weight	1.7 lb (0.77 kg)	
Finish	architectural bronze	white
Rated Life (L70)	50,000 hours	

