

UDSR2 Series

LED UFO High Bay Specifications

Project _____

Date _____ Type _____



UDSR2-40K150-BT2BH



Available Models¹

Black Finish

- | | |
|---|---|
| <input type="checkbox"/> UDSR2-40K100-BT2BH | <input type="checkbox"/> UDSR2-50K100-BT2BH |
| <input type="checkbox"/> UDSR2-40K150-BT2BH | <input type="checkbox"/> UDSR2-50K150-BT2BH |
| <input type="checkbox"/> UDSR2-40K200-BT2BH | <input type="checkbox"/> UDSR2-50K200-BT2BH |
| <input type="checkbox"/> UDSR2-40K240-BT2BH | <input type="checkbox"/> UDSR2-50K240-BT2BH |
| <input type="checkbox"/> UDSR2-40K300-BT2BH | <input type="checkbox"/> UDSR2-50K300-BT2BH |

White Finish

- | | |
|---|---|
| <input type="checkbox"/> UDSR2-50K100-BT2WH | <input type="checkbox"/> UDSR2-50K200-BT2WH |
| <input type="checkbox"/> UDSR2-50K150-BT2WH | <input type="checkbox"/> UDSR2-50K240-BT2WH |
| <input type="checkbox"/> UDSR2-50K300-BT2WH | <input type="checkbox"/> UDSR2-50K300-BT2WH |

Part Number Breakdown

Example: UDSR2-40K100-BT2BH

Series	CCT	Wattage	LED Brand	Lens	Finish
UDSR2 [UFO high bay, Dimmable, Sensor-Ready]	40K [4000K]	100 [100 W] 150 [150 W] 200 [200 W]	B [Lumileds]	T2 [90° lens]	BH [Black]
	50K [5000K]	240 [240 W] 300 [300 W]			WH [White]

Overview

This UFO LED high bay features an integrated sensor socket for easy motion sensor installation. It replaces traditional metal-halide fixtures and emits a 90° beam angle, ideal for factories, warehouses, and other high-ceiling applications. It is IP65 waterproof and suitable for wet locations. Install with the included eye bolt and safety cable. Each high bay has a die-cast, corrosion-resistant aluminum housing, a powder-coated finish, and a clear polycarbonate lens. Available with or without a reflector that reduces glare, shadows, and directs light downward towards warehouse shelves. Upgrade with an optional Keilton® PIR motion sensor or wireless wall switch with remote featuring advanced Networked Lighting Controls (NLC).

Features

- Integrated port for plug-and-play installation of compatible motion sensor
- Networked Lighting Controls (NLC) optional
- Replace up to a 1200W metal-halide fixture

Product Details

- Die-cast aluminum housing
- Clear polycarbonate lens
- IP65, Suitable for Wet Locations
- 0-10V Dimmable
- 120-277 VAC

Certifications and Compliances

- Certified by UL (UL 1598, UL 8750)
- DLC 5.1 Premium listed



Application

- | | |
|------------------------|------------------------|
| • Auditoriums | • Gymnasiums |
| • Cafeterias | • Manufacturing Plants |
| • Commercial Buildings | • Retail Applications |
| • Distribution Centers | • Warehouses |

Warranty

- 5-year warranty



¹Contact customer service if interested in other options.

UDSR2 Series

LED UFO High Bay Specifications

SPECIFICATIONS					
Model UDSR2-	xK100-BT2x	xK150-BT2x	xK200-BT2x	xK240-BT2x	xK300-BT2x
ELECTRICAL					
Wattage	100 watts	150 watts	200 watts	240 watts	300 watts
Current Draw	120 VAC	925mA	1.4A	1.8A	2.7A
	240 VAC	400mA	600mA	800mA	1.2A

PHOTOMETRIC					
Model UDSR2-	40K100-BT2x	40K150-BT2x	40K200-BT2x	40K240-BT2x	40K300-BT2x
CCT	4000K				
Efficacy	148 lm/W	147 lm/W	149 lm/W	150 lm/W	147 lm/W
Lumens	14800	21900	29800	36000	44000
Model UDSR2-	50K100-BT2x	50K150-BT2x	50K200-BT2x	50K240-BT2x	50K300-BT2x
CCT	5000K				
Efficacy	153 lm/W	153 lm/W	154 lm/W	155 lm/W	153 lm/W
Lumens	15300	23000	31000	37200	45900
Beam Angle	90°				
CRI	80+				

SERIES	
ELECTRICAL	
Operating Voltage	120-277 VAC
Power Factor	≥0.9
Dimmer Type	0-10V
Surge Protection	L/N-PE, L-N: 6kV
MECHANICAL	
Product Materials	Die-Cast Aluminum Housing, Polycarbonate Lens
Input Connection	Pigtail
Wire Gauge	18AWG (L/N/G), 22AWG (dimming)
Rated Life (L70)	50000 hours
ENVIRONMENTAL	
IP Rating	IP65
Environmental Rating	Suitable for Wet Locations, Waterproof
Ambient Operating Temperature	-30 to 50°C (-22 to 122°F)



UDSR2 Series

LED UFO High Bay Specifications

Optional Accessories (sold separately)

Polycarbonate Reflectors

- UDSR2-PR150 (100W/150W)
- UDSR2-PR240 (200W/240W)
- UDSR2-PR300 (300W)



Microwave Motion Sensor

- ANT-5-4T



Keilton Network Control PIR Motion Sensor

- EFS106-AUX

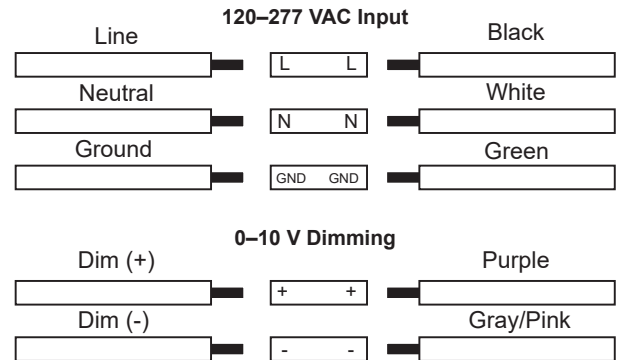


Remote Control

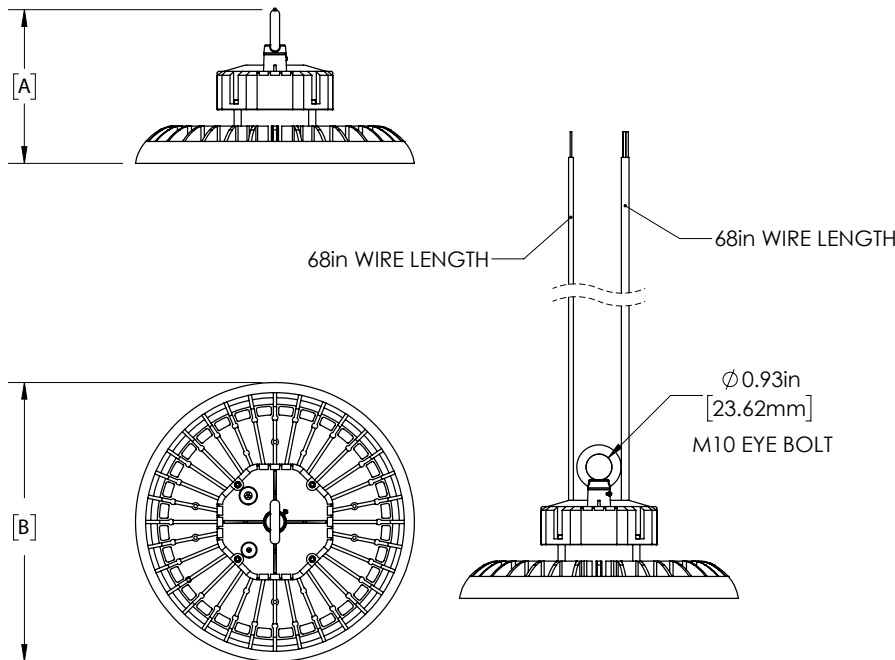
- RC-100



Wiring Diagram



Dimensional Drawings



DLC 5.1 Premium Product ID Numbers

Model	DLC Product ID
UDSR2-40K100-BT2BH	S-PN179R
UDSR2-40K150-BT2BH	S-YJY7JD
UDSR2-40K200-BT2BH	S-VJNVG1
UDSR2-40K240-BT2BH	S-NH03X0
UDSR2-40K300-BT2BH	S-J7WD6L
UDSR2-50K100-BT2BH	S-1FMTDN
UDSR2-50K150-BT2BH	S-FWNTD0
UDSR2-50K200-BT2BH	S-3TQDND
UDSR2-50K240-BT2BH	S-34S3KC
UDSR2-50K300-BT2BH	S-7K7GNR
UDSR2-50K100-BT2WH	S-3L4DC1
UDSR2-50K150-BT2WH	S-N0CW71
UDSR2-50K200-BT2WH	S-8C8MZY
UDSR2-50K240-BT2WH	S-FFILL5
UDSR2-50K300-BT2WH	S-WCF50D

Model	A	B
UDSR2-x100-BT2x	6.3in. (161mm)	10.9in. (276mm)
UDSR2-x150-BT2x	6.3in. (161mm)	10.9in. (276mm)
UDSR2-x200-BT2x	6.4in. (162mm)	12.25in. (311mm)
UDSR2-x240-BT2x	6.7in. (170mm)	12.25in. (311mm)
UDSR2-x300-BT2x	6.9in. (177mm)	13.8in. (351mm)

