

CL3 Series

LED Corn Bulb Specifications

Project _____

Date _____ Type _____



CL3-50K80W-EX39



Description

These LED corn bulbs are an energy efficient and low maintenance replacement to metal halide / incandescent bulbs. The standard EX39 mogul screw base can be used in new construction or retrofit applications. Integrated aluminum heatsinks provide thermal dissipation and ensure the bulb can be used in fully enclosed fixtures.

Mechanical

- Aluminum heatsink, polycarbonate lens and housing
- IP54 rated
- -40°-113° F (-40°-45° C) operating temperature
- Enclosure rated

Electrical

- 120-277 VAC input
- 4kV integrated surge protection
- ≥0.9 power factor
- 50,000 hour LED lifetime
- 1-10 V dimming

Photometrics

- 335° beam angle
- 80+ CRI

Ballast Compatibility

Ballast bypass is required for these bulbs.

Application

These easily replace inefficient metal-halide bulbs found in fixtures commonly used for high bay lights, bollards, wall packs, parking lot lights, and other commercial and industrial applications.

Available Models¹

- | | |
|--|---|
| <input type="checkbox"/> CL3-50K45W-EX39 | <input type="checkbox"/> CL3-50K100W-EX39 |
| <input type="checkbox"/> CL3-50K60W-EX39 | <input type="checkbox"/> CL3-50K120W-EX39 |
| <input type="checkbox"/> CL3-50K80W-EX39 | |

Part Number Breakdown

Example: CL3-50K80W-EX39

Family	CCT	Wattage	Base Type
CL3	50K [5000K]	45W [45 W]	EX39 [EX39 base]
		60W [60 W]	
		80W [80 W]	
		100W [100 W]	
		120W [120 W]	

Certifications and Compliances

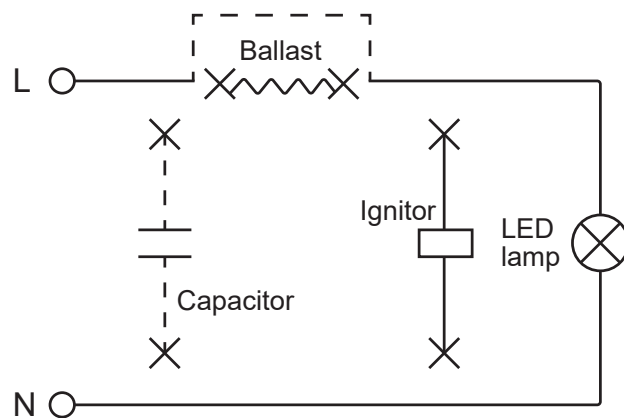
These are UL Listed under file E477606 in compliance with UL 1993 (OOLV), UL Classified under file E348221 in compliance with UL 1598C (IFAR), and are DLC 5.1 Standard listed.



Warranty

5-year warranty

Wiring Diagram



¹Contact customer service for more information on availability.

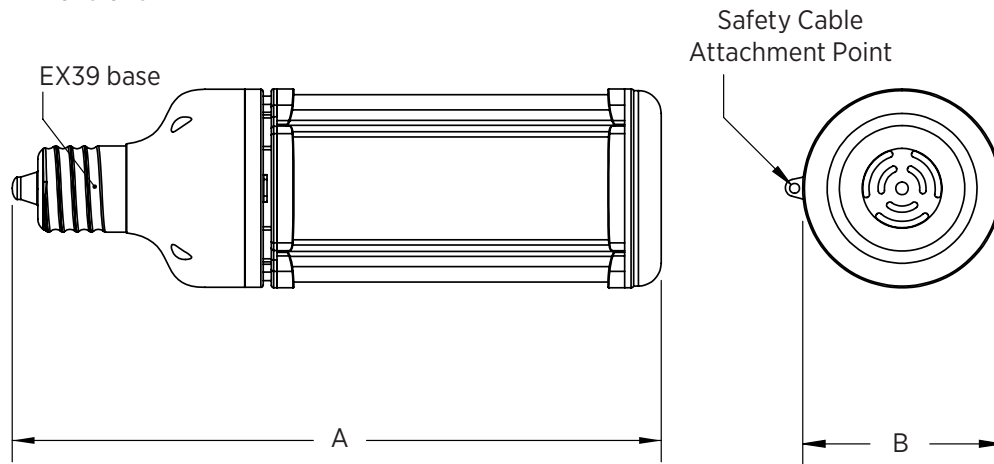
CL3 Series

LED Corn Bulb Specifications

Specifications

Model CL3-	50K45W-EX39	50K60W-EX39	50K80W-EX39	50K100W-EX39	50K120W-EX39
Intensity	6,975 lm	9,300 lm	12,400 lm	15,500 lm	18,600 lm
Operating Voltage	120-277 VAC				
Power Consumption	45 W	60 W	80 W	100 W	120 W
Current Draw	375 mA @ 120 VAC 162 mA @ 277 VAC	500 mA @ 120 VAC 217 mA @ 277 VAC	667 mA @ 120 VAC 289 mA @ 277 VAC	833 mA @ 120 VAC 361 mA @ 277 VAC	1 A @ 120 VAC 433 mA @ 277 VAC
Efficacy	155 lm/W				
Color Temperature	5000K				
Beam Angle	325°				
CRI	80+				
Dimming	1-10 V				
IP Rating	IP54				
Ambient Operating Temperature	-40°-113° F (-40°-45° C)				
Rated Life (L70)	50,000 hours				

Dimensions



Model CL3-	50K45W-EX39	50K60W-EX39	50K80W-EX39	50K100W-EX39	50K120W-EX39
A	9.6 in. (243 mm)	9.7 in. (247 mm)	11.3 in. (286 mm)	10.7 in. (273 mm)	11.7 in. (298 mm)
B	2.4 in. (60 mm)	3.5 in. (88 mm)		4.4 in. (113 mm)	

