

White LED Strip Lights

High Density Diffused LED Strip Specification

Project _____

Date _____ Type _____



Available Models¹

- STW-B-A27K90-C8L-10U5M-24V
- STW-B-A30K90-C8L-10U5M-24V
- STW-B-A40K90-C8L-10U5M-24V
- STW-B-A50K90-C8L-10U5M-24V

SAMPLE PART NUMBER BREAKDOWN **STW-B-A27K90-C8L-10U5M-24V**

Series	Strip Type	CCT	CRI	LED Type	LEDs/Segment	IP Rating	PCB Width	Density	Length	Voltage
STW-B	A	27K	90	C	8	L	10	U	5M	24V
Weatherproof	Single CCT	27K: 2700K 30K: 3000K 40K: 4000K 50K: 5000K	90+	2835 SMD	8 LEDs/seg	IP67	10mm	304 LEDs/m	5 meters	24 VDC

Overview

The high density LED strip light provides a continuous line of light and high lumen output. Each 5m strip has 92 LEDs per foot, delivering up to 966 lumens per foot with 90+ CRI for powerful, vibrant light. A silicone coating offers IP67-rated protection, making them suitable for wet locations while remaining flexible and diffusing the LED hotspots. Each segment measures 1 inch, with cut points located on the underside of the strip. Peel the paper from the adhesive backing to find the black cut points. For optimal and long-lasting strip operation, a heatsink is required.

Features

- 92 LEDs per foot produce a continuous line of light
- High lumen output up to 966 lm/ft
- 90+ CRI for vibrant, natural-looking color tones
- IP67 waterproof
- Cut points located every 1 in

Product Details

- 0-100% PWM Dimmable
- Class 2 Max Run: 13.1ft
- Strip Width: 12mm
- Pigtail Connection
- 24 VDC input

Certifications and Compliances

- UL Listed - UL 2108 (IFDR)
- CE compliant



Applications

- Backlighting
- Decks
- Outdoor Accent Lights
- Outdoor Kitchens
- Patios
- Reflective Surfaces
- Toe Kick Lighting
- Under-Cabinets

Warranty

- 7-year warranty



¹Contact customer service for additional options.

White LED Strip Lights

High Density Diffused LED Strip Specification

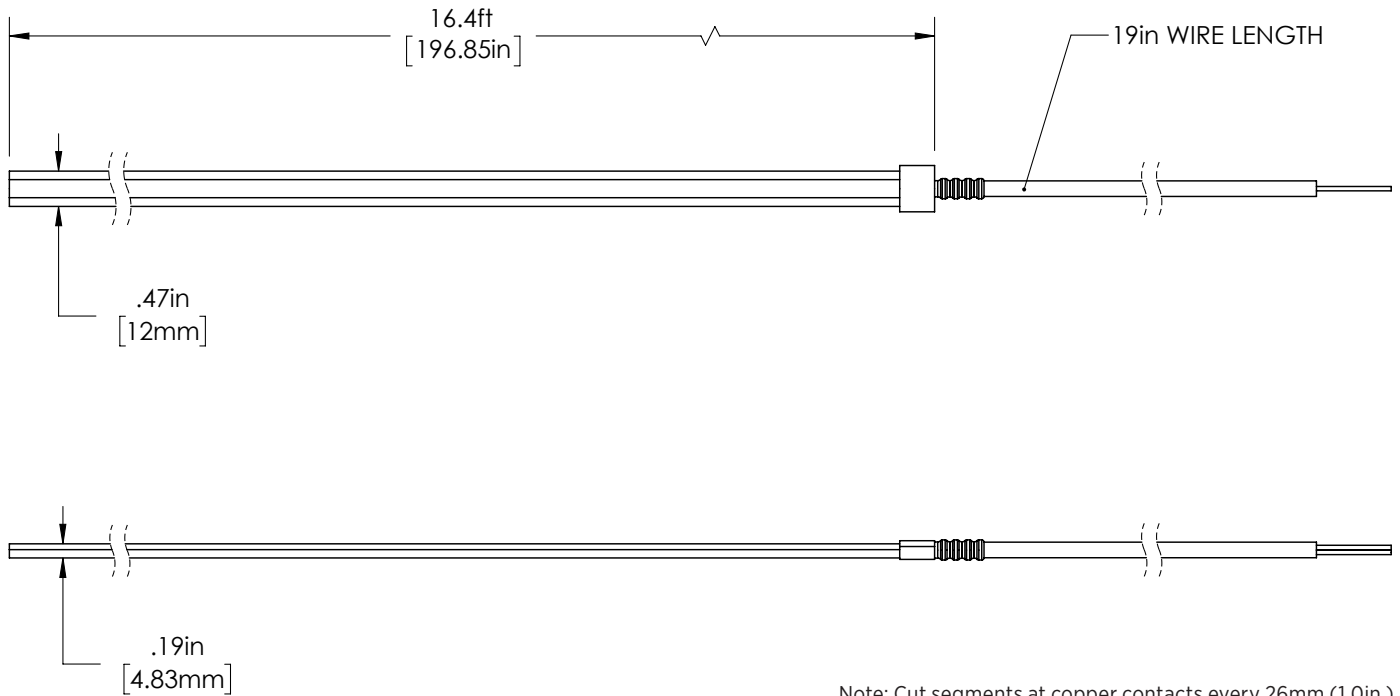
SPECIFICATIONS		
Model	STW-B-AxK90-C8L-10U5M-24V	
PHOTOMETRIC		
LED Color	Lumens per Foot	Efficacy
2700K Warm	878 lm/ft	120 lm/W
3000K Warm	915 lm/ft	125 lm/W
4000K Natural	966 lm/ft	132 lm/W
5000K Cool	966 lm/ft	132 lm/W
CRI	90+	
Beam Angle	120°	
ELECTRICAL		
Voltage	24 VDC	
Current Draw per Foot	305 mA/ft	
Current Draw	5A	
Wattage per Foot	7.3 W/ft	
Wattage	120 Watts	
Dimmer Type	PWM	
MECHANICAL		
PCB Width	10mm (0.39in.)	
Strip Width	12mm (0.47in.)	
Length	16.4ft (5m)	
Max Run (Class 2)	13.1ft (4m)	
LED Density	92 LEDs/ft	
Minimum Cut Length	26mm (1.0in.)	
LEDs per Segment	8	
Input Connection Type	Pigtail	
LED Chip Type	2835 SMD	
LED Lifetime	50000 hours	
ENVIRONMENTAL		
IP Rating	IP67	
Environmental Rating	Suitable for Wet Locations, Waterproof	
Ambient Operating Temperature	-20 to 60°C (-4 to 140°F)	



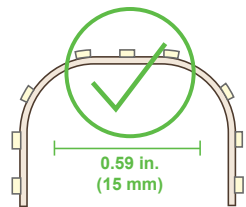
White LED Strip Lights

High Density Diffused LED Strip Specification

Dimensional Drawings

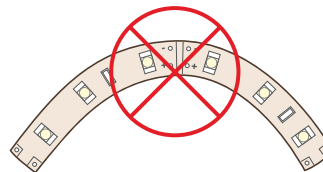
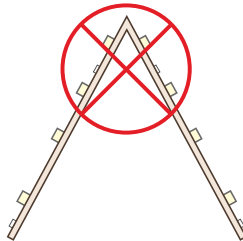


Strip Flexibility



Bends less than 15mm will damage circuit traces and void warranty.

Bending strips at sharp angles will damage circuit traces and void warranty.



Bending strips on horizontal plane will damage circuit traces and void warranty.

