



Available Models¹

- STW-A27K90-C8L-10U5M-24V
- STW-A30K90-C8L-10U5M-24V
- STW-A40K90-C8L-10U5M-24V
- STW-A50K90-C8L-10U5M-24V

SAMPLE PART NUMBER BREAKDOWN **STW-A27K90-C8L-10U5M-24V**

Series	Strip Type	CCT	CRI	LED Type	LEDs/Segment	IP Rating	Strip Width ²	Density	Length	Voltage
STW	A	27K	90	C	8	L	10	U	5M	24V
Weatherproof	Single CCT	27K: 2700K 30K: 3000K 40K: 4000K 50K: 5000K	90+	2835 SMD	8 LEDs/seg	IP67	10mm	304 LEDs/m	5 meters	24 VDC

²Waterproof coating adds 2 mm of thickness to the physical dimensions.

Overview

The high-density LED strip light provides a continuous line of light and high-lumen output. Each 5m strip has 92 LEDs per foot, delivering up to 836 lumens per foot with 90+ CRI for vibrant light and precise color rendition. The strips have a silicone coating that offers IP67-rated protection, making them suitable for wet locations while remaining flexible and diffusing the LED hotspots. A separate heatsink, such as an aluminum strip channel, is required for optimal and long-lasting strip operation.

Features

- 92 LEDs/ft density provides a continuous line of light
- High lumen output up to 863 lm/ft
- IP67 waterproof
- PWM Dimmable

Product Details

- 90+ CRI rating for vibrant color tones
- 12mm physical strip width
- 24 VDC

Certifications and Compliances

- UL Listed - UL 2108 (IFDR)
- CE compliant



Applications

- Hallways
- Outdoor Accent Lights
- Outdoor Kitchens
- Patios
- Showcases
- Sign Lighting
- Stairways
- Under-Cabinet Lighting

Warranty

- 5-year warranty



¹Contact customer service for additional options.

Lux Series LED Strip Lights

High Density Diffused LED Strips

Specifications

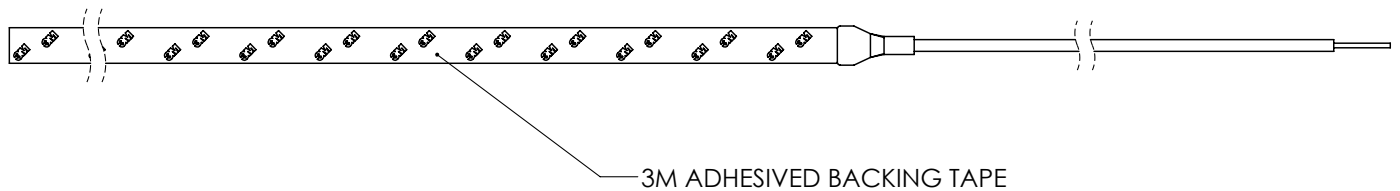
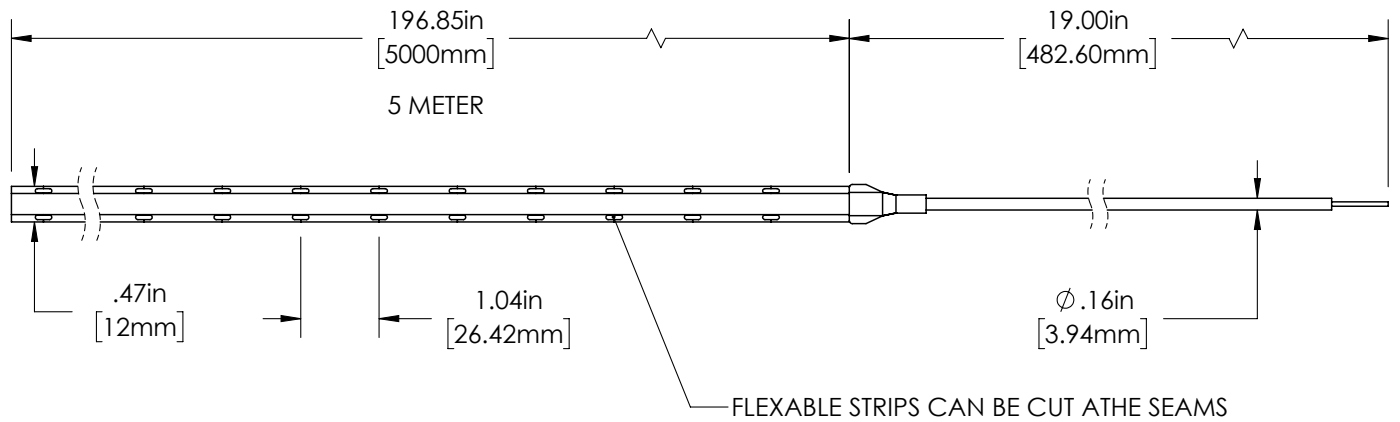
Model STW-A	27K90-C8L-10U5M-24V	30K90-C8L-10U5M-24V	40K90-C8L-10U5M-24V	50K90-C8L-10U5M-24V
PHOTOMETRIC				
CCT	2700K	3000K	4000K	5000K
Lumens per Foot	777 lm	820 lm	863 lm	
Efficacy	126 lm/W	133 lm/W	140 lm/W	
CRI	90+			
Beam Angle	120°			
ELECTRICAL				
Voltage	24 VDC			
Wattage	120W			
Wattage per Foot	7.3 W/ft			
Current Draw	5A			
Current Draw per Foot	305 mA/ft			
Dimmer Type	PWM			
ENVIRONMENTAL				
IP Rating	IP67			
Environmental Rating	Suitable for Wet Locations, Waterproof			
MECHANICAL				
Length	16.4ft (5m)			
Strip Width	12mm (0.47in.)			
Max Run (Class 2)	13.1ft (4m)			
LEDs per Segment	8			
Minimum Cut Length	26mm (1.0in)			
LED Density	92 LEDs/ft			
LED Type	2835 SMD			
LED Lifetime	50000 hours			
Ambient Operating Temperature	-20 to 45°C (-4 to 113°F)			



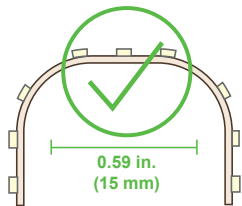
Lux Series LED Strip Lights

High Density Diffused LED Strips

Dimensional Drawings

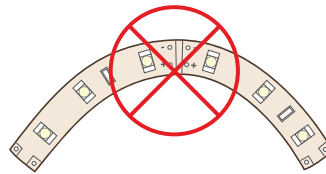
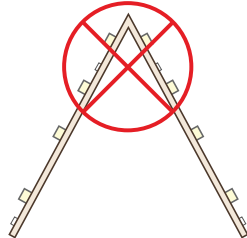


Strip Flexibility



Bends less than 15mm will damage circuit traces and void warranty.

Bending strips at sharp angles will damage circuit traces and void warranty.



Bending strips on horizontal plane will damage circuit traces and void warranty.

