

Important: Read all instructions prior to installation.

BRI619

Motion Sensor



Safety and Notes

- Product should be installed and serviced by a certified electrician in accordance with applicable national, state, and local building and electrical codes.
- To reduce the risk of electric shock, ensure that the main power source and circuit breakers are switched off before performing any installation or wiring procedures.

Specifications

Model	BRI619
Maximum Detection Radius	29.5 ft (9 m)
Maximum Mounting Height	39.4 ft (12 m)
Operating Temperature	-40°–167° F (-40°–75° C)
Dimming	0–10 V ¹

¹PLLD2 lights use a 1–10 V dimming driver so at the zero setting on the sensor, the light still does not completely turn off.

Default Settings

Model	Sensitivity	Hold On Time	Daylight Sensor	Dimming Level	Dimming Time
BRI619	100%	15 min	30 lux	30%	60 minutes

DIP Switch Settings



Setting	Sensitivity	Time	Light	Standby Level	Standby Time
Switch Pair Position	1 and 2	3 and 4	5 and 6	7 and 8	9 and 10
↓ ↓	20%	10 seconds	disabled	0%	always on
↓ ↑	50%	1 minute	10 lx	10%	1 minute
↑ ↓	75%	5 minutes	30 lx	30%	30 minutes
↑ ↑	100%	15 minutes	50 lx	50%	60 minutes

Sensitivity adjusts detection range.

Time adjusts the amount of time before light enters standby mode when no motion is detected.

Light adjusts the ambient light threshold (photocell operation).

Standby Level adjusts the dimming level in standby mode.

Standby Time adjusts the amount of time between entering standby mode and fully disabling light.



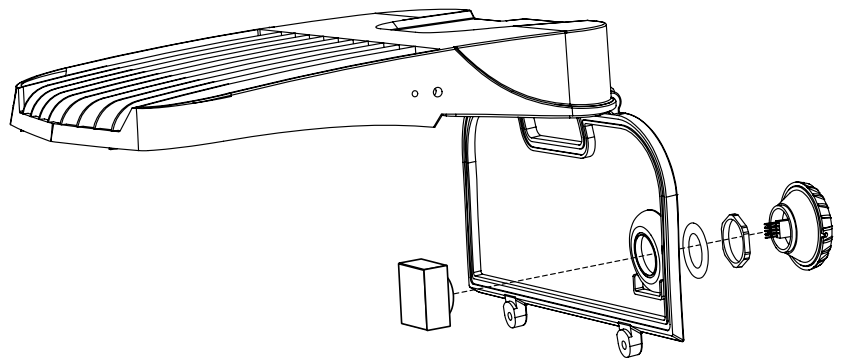
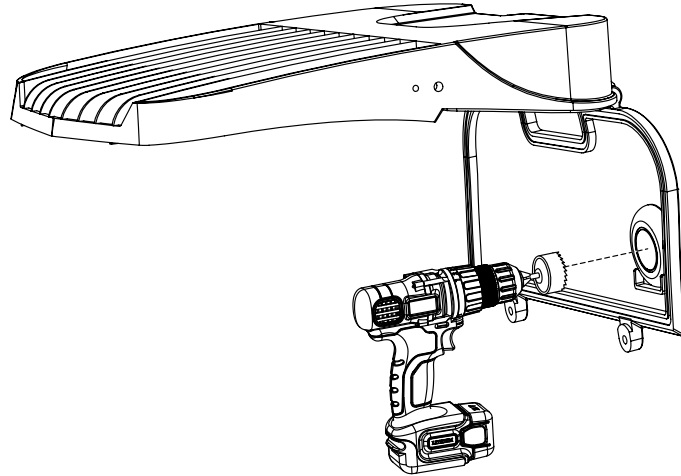
Important: Read all instructions prior to installation.

BRI619

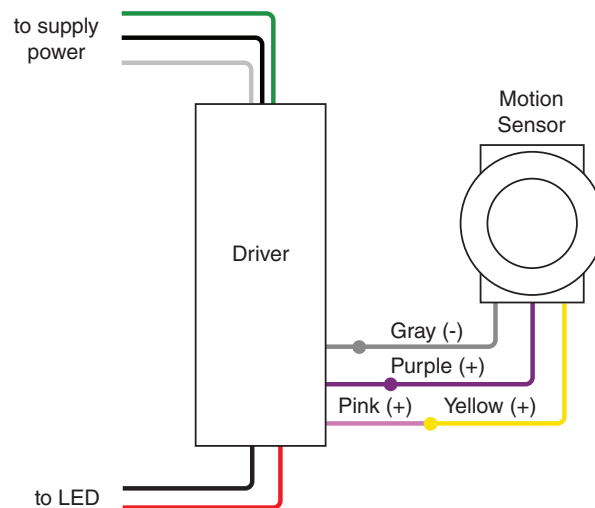
Motion Sensor

Installation

1. Remove supply power from fixture.
2. Remove two bolts to open access panel.
3. Drill 1 $\frac{5}{16}$ in. hole in pre marked area.
4. Place module through hole, then install rubber gasket and locking nut.
5. Plug sensor into module.
6. Wire using wiring diagram below.
7. Close and secure panel then reapply supply power.



Wiring Diagram



Note: Sensor uses 12–24 VDC input only

