

superbrightleds.com

Highlight Series LED Strip Lights

Single CCT 120 VAC Strips

Project _____

Date _____ Type _____



Description

120 VAC LED strip lights are designed for extremely long max run lengths to suit both indoor and outdoor locations and are also plug and play, requiring no external power supply. High quality 90+ CRI light shows truer colors. Weatherproof design is compatible with both indoor and outdoor applications.

Construction/Mechanical

- Flexible design for easy mounting
- IP65 rated

Electrical

- 120 VAC input
- Efficient 2835 chips
- TRIAC dimmable
- 164 ft (50 m) max run

Photometrics

- 100 lm/W
- 120° beam angle
- 90+ CRI

Available Versions

- STAC-A30K90-C8D-14S5M-120V
- STAC-A30K90-C8D-14S25M-120V
- STAC-A40K90-C8D-14S5M-120V
- STAC-A40K90-C8D-14S25M-120V
- STAC-A50K90-C8D-14S5M-120V
- STAC-A50K90-C8D-14S25M-120V

Accessories

Super Bright LEDs offers a variety of installation solutions designed specifically for 120 VAC strips.

- STAC-PT50 (hardwire adapter kit)
- STAC-1-15P-50 (wall plug adapter kit)
- STAC-CLIP (5 m mounting clip kit)
- STAC-2J12 (1 ft jumper cable)
- STAC-2DC (butt connector)
- STAC-2LC (L connector)
- STAC-EC (end cap)
- STAC-PVC10Z (PVC sealant)

Certifications

The strips are ETL Listed in compliance with UL 2108 and are listed for use in damp locations.



Warranty

5-year warranty

Applications

Some common applications include sign and display lighting, edge lighting, backlighting, theater lighting, retail lighting, and accent lighting for design and architectural applications.

SAMPLE PART NUMBER BREAKDOWN

STAC-A30K90-C8D-14S5M-120V

FAMILY / CATEGORY / COLOR				LED TYPE / SEGMENT		IP RATING	SIZE / DENSITY / VOLTAGE			
STAC	A	30K	90	C	8	D	14	S	5M	120V
Strip Type	Strip Type	Color/CCT	CRI	LED Type	LEDs/Segment	IP Rating	Strip Width ¹	Density	Length	Voltage
STAC: Weatherproof AC Strip	A: Single CCT	30K: 3000K 40K: 4000K 50K: 5000K	90: 90+ CRI	C: 2835	8: 8 LEDs/seg	D: IP65	14: 14 mm	S: 80 LEDs/m	5M: 16.4 ft (5 m) 25M: 82 ft (25 m)	120V: 120 V

¹Strip width on STW models will physically be an additional 3 mm wider due to water resistant coating.



T 866.811.5550
 F 314.972.6202
 email: commercial-sales@superbrightleds.com
<https://www.superbrightleds.com/cat/led-strips-and-bars/>

Rev. V1 Date: 07/20/2022
 Specifications are subject to change without notice.
 Printed in the U.S.A.

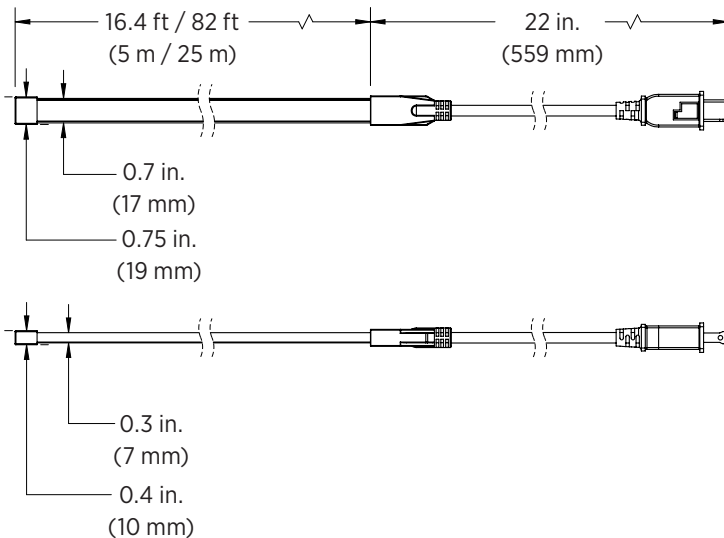
Specifications

Model	STAC-A30K90-C8D-14Sx-120V	STAC-A40K90-C8D-14Sx-120V	STAC-A50K90-C8D-14Sx-120V
Voltage	120 VAC		
Wattage	4.27 W/ft		
Power Factor	≥0.8		
Current Draw	36 mA/ft		
Dimming	TRIAC		
Max Run	164 ft (50 m)		
LED Lifetime	36,000 hours		
Intensity	405 lm/ft	427 lm/ft	427 lm/ft
CRI	90+		
LED Density	24 LEDs/ft (80 LEDs/m)		
Beam Angle	120°		
Operating Temperature	-4°-113° F (-20°-45° C)		
IP Rating	IP65		

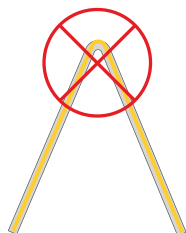
Dimensions

STAC-Ax90-C8D-14Sx-120V

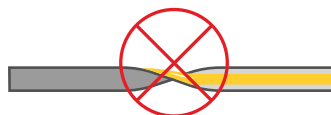
- 164 ft (50 m) max run



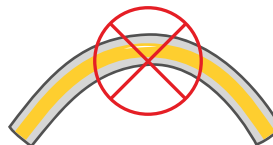
Strip Flexibility



Bending strips at sharp angles will damage circuit traces and void warranty.



Twisting strips will damage circuit traces and void warranty.



Bending strips on horizontal plane will damage circuit traces and void warranty.

