

**Parts needed to mount the GIZA extrusion**



Extrusion (A)



End cap (B)



Cover (C)



LED strip (D)



Spring (E)



Isolating base (F)



Mounting bracket (G)

**Tools needed for mounting:**

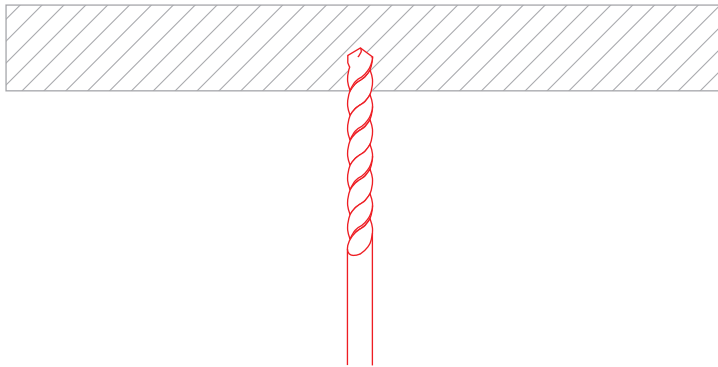
- drill
- screwdriver

**NOTE!** All LED strips must be connected to a 12 V or 24 V power supply.

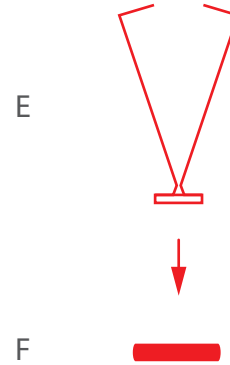
**IMPORTANT:** The manual presents the simplest mounting procedure.

More mounting procedures and related accessories can be found at [www.klusdesign.com](http://www.klusdesign.com)

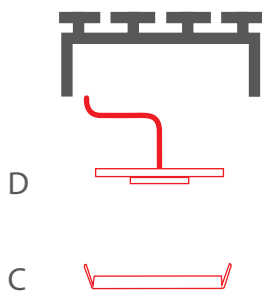
**1.** Drill holes (min.  $\varnothing$  10 mm) to mount the extrusion.



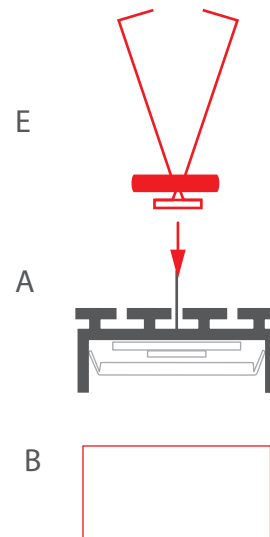
**2.** Insert the spring (E) into the isolating base (F).



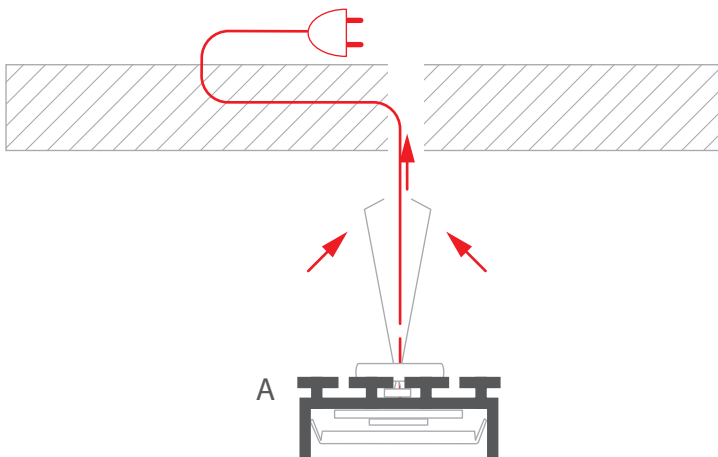
**3.** Mount the LED strip (D), lead out the cable and insert the cover (C) The cable may run through a hole drilled in the extrusion or one in the end cap.



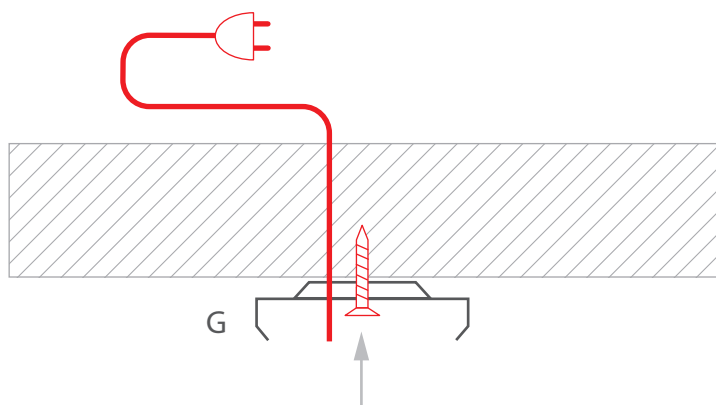
**4.** Slide the spring (E) into the extrusion (A). Insert the end cap (B).



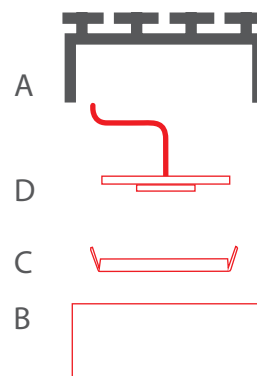
**5.** Connect power and insert the extrusion (A).



**1.** Feed the power cable. Attach the mounting bracket (A) to the mounting surface with screws.



**2.** Mount the LED strip (D) in the extrusion (A), lead the power cable, insert the cover (C) and the end caps (B). The cable can go through the hole in the extrusion or in the end cap.



**3.** Connect power to the LED strip and mount the extrusion (A) in the mounting bracket (G). There are two ways to connect power: through a hole in the extrusion or through the end cap.

