

## DMR Series

### 3-Way TRIAC Dimmer Switch Specifications

Project \_\_\_\_\_

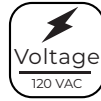
Date \_\_\_\_\_ Type \_\_\_\_\_



DMR-TS01-3WH

DMR-TT01-3WH

DMR-TE01-3WH



#### Available Models<sup>1</sup>

- DMR-TS01-3WH     DMR-TE01-3WH
- DMR-TT01-3WH     DMR-TE01-3WH-WIFI

#### Part Number Breakdown

Example: DMR-TS01-3WH-WIFI

Series	Dimming Type	Function	Switch Type	Finish	Control
DMR	T [TRIAC]	S [Rocker Switch]	01-3 [Single Pole, 3-way]	WH [white]	blank [manual]
		T [Paddle Switch]			WIFI [manual + Tuya app via Wi-Fi]
		E [Push-Button]			

#### Description

DMR Series TRIAC dimmer switches are single pole, double throw (SPDT) switches that control power and dimming functions for 120 VAC light fixtures. The switches have startup and power-off memory functions. The minimum brightness level can be set through a trim dial or adjustment button for stable output.

Push-button versions have functional indicator lights. The smart switch (-WIFI) offers control of power, brightness, and timer settings from anywhere via Tuya Smart Life app with 2.4 GHz Wi-Fi connection. Alexa and Google Home voice control supported (-WIFI only).

#### Construction/Mechanical

- Polycarbonate and aluminum alloy
- IP20 non-weatherproof, indoor use only
- 16 AWG wire gauge

#### Electrical

- 120 VAC input
- TRIAC dimming
- 5 A maximum current draw
- 1 kV surge protection
- Lifetime: ≥ 40,000 toggles

#### Application

Single-pole or 3-way wiring for power control and dimming of LED, CFL, halogen, and incandescent lamps in residential and commercial spaces.

#### Accessories

- DMR-FWH - Switch Plate Cover, White

#### Certifications and Compliances

ETL Listed to UL 1472 standard. Suitable for dry locations. Indoor use only.



#### Warranty

- 2-year warranty

<sup>1</sup>Contact customer service if interested in options other than those listed.

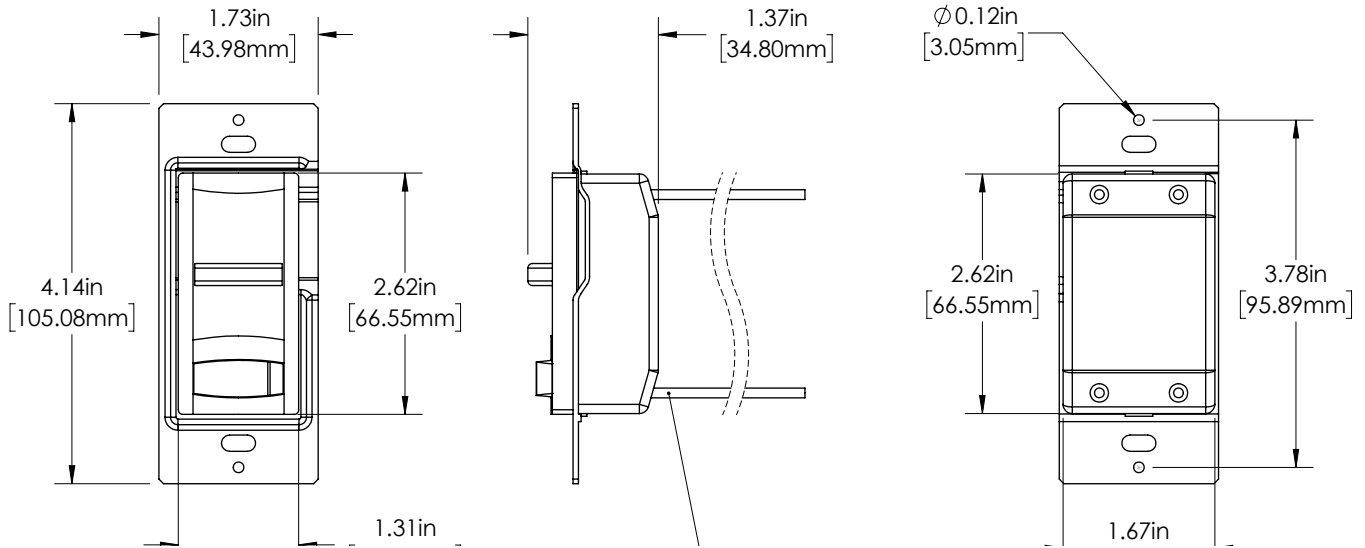


## DMR Series

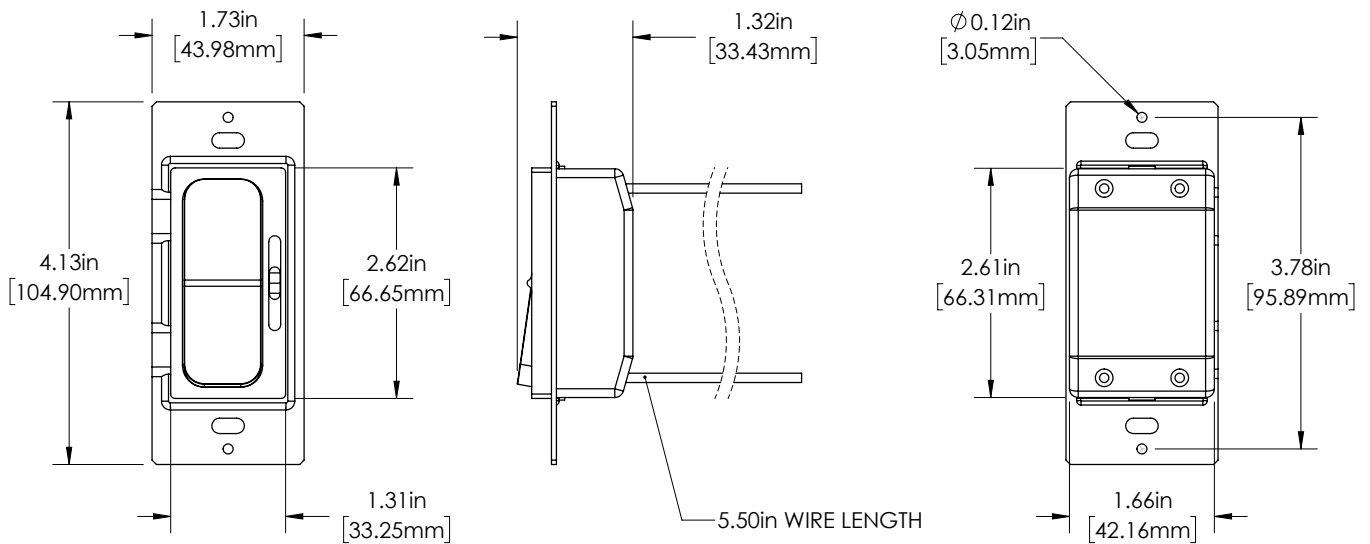
### 3-Way TRIAC Dimmer Switch Specifications

#### Dimensional Drawings

DMR-TS01-3WH



DMR-TT01-3WH

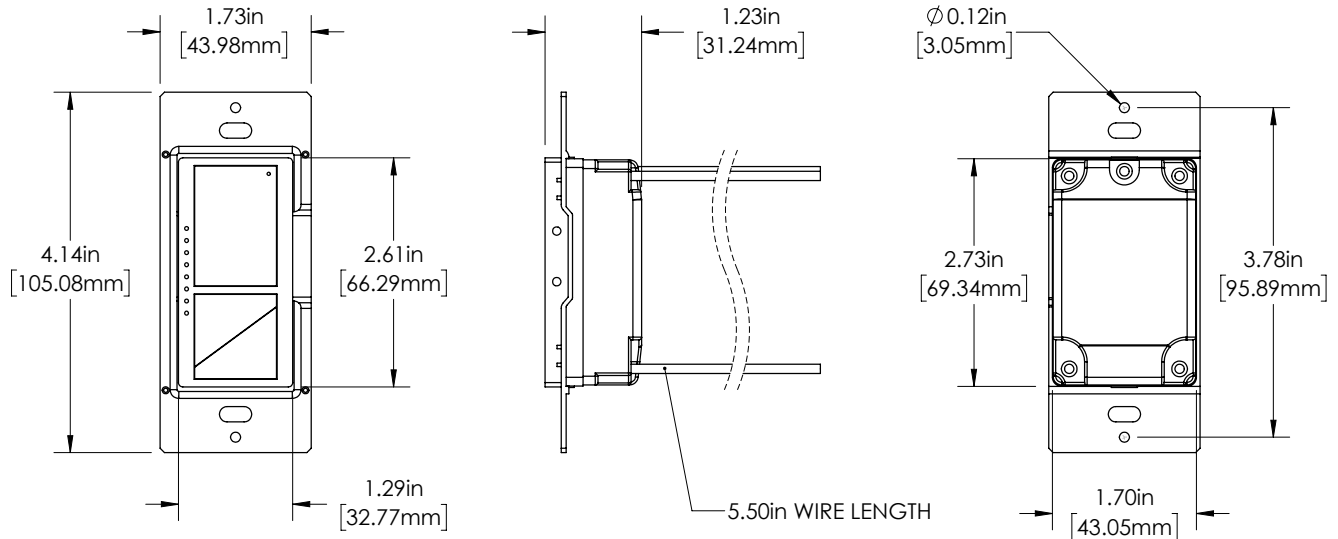


**DMR Series**

3-Way TRIAC Dimmer Switch Specifications

**Dimensional Drawings (continued)**

DMR-TE01-3WH(-WIFI)



**Specifications**

Model	DMR-TS01-3WH	DMR-TT01-3WH	DMR-TE01-3WH	DMR-TE01-3WH-WIFI
Dimming Type	TRIAC			
Operating Voltage	120 VAC @ 60 Hz			
Switch Type	Single-pole or 3-way (SPDT)			
Max. Current Draw	5 A			
Environmental Rating	non-weatherproof, indoor use only			
Ambient Operating Temperature	32°-104° F (0°-40° C)			
Max. Wattage	200 W (LED, CFL, low-voltage halogen) 600 W (120 V halogen, incandescent)			
Load Range	<b>Lamp Type (Wattage)</b>			
	Incandescent (15W - 600 W)			
	LED (3 W - 200 W)			
	Halogen (15W - 600 W)			
	Low-voltage halogen (3 W - 200 W)			
CFL (3 W - 200 W)				

