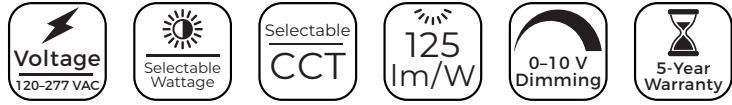
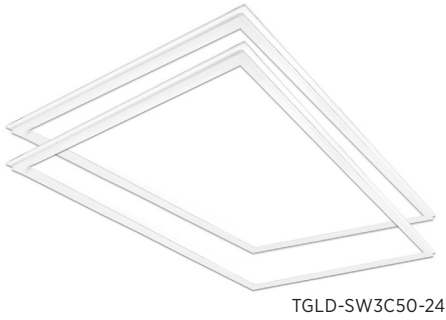


TGLD Series

LED Grid Panel Frame Light Specifications

Project \_\_\_\_\_

Date \_\_\_\_\_ Type \_\_\_\_\_



Available Configurations<sup>1</sup>

- TGLD-SW3C40-22 – 2' x 2' Panel Frame Light (2-pack)
- TGLD-SW3C50-24 – 2' x 4' Panel Frame Light (2-pack)

Part Number Breakdown

Example: TGLD-SW3C50-24

Series	CCT	Wattage	Panel Size
<b>TGLD</b> [T-Grid Light, Dimmable]	<b>SW3C</b> [selectable, 3500K / 4000K / 5000K]	<b>40</b> [selectable, 30 W / 35 W / 40 W]	<b>22</b> [2' x 2']
		<b>50</b> [selectable, 40 W / 45 W / 50 W]	<b>24</b> [2' x 4']

Description

TGLD LED T-grid panel frame lights are designed to replace traditional panel lights in t-bar grid suspended ceilings, providing a modern look and quality illumination. The external driver has selectable CCT and wattage options, allowing you to set each t-grid light to suit your preferences or specific lighting needs during installation. Each 2-pack includes two (2) t-grid panel lights and two (2) driver boxes. **Only available as a 2-pack.**

Mechanical

- Lightweight aluminum housing
- Frosted polycarbonate lens
- External driver box with quick connect input
- Suitable for damp locations
- -4°-113° F (-20°-45° C) operating temperature

Electrical

- 120-277 VAC input voltage range
- 0-10 V dimmable
- Selectable wattage
- 50,000 hour (L70) rated lifespan

Photometrics

- Selectable CCT: 3500K, 4000K, 5000K
- 125 lm/W output
- 120° beam angle

Applications

The ultra thin, lightweight aluminum construction allows for easy installation making the LED T-grid panel light ideal for remodel and new construction in schools, offices, hospitals, and commercial and retail spaces.

Optional Accessories

Suspension Mount Kit

- 2' x 2' suspension mount kit (TGLD-SK22)
- 2' x 4' suspension mount kit (TGLD-SK24)



Certifications and Compliances

These lights are ETL Listed in compliance with UL 1598 (IFAM). They are also DLC 5.1 Premium listed by DesignLights Consortium.

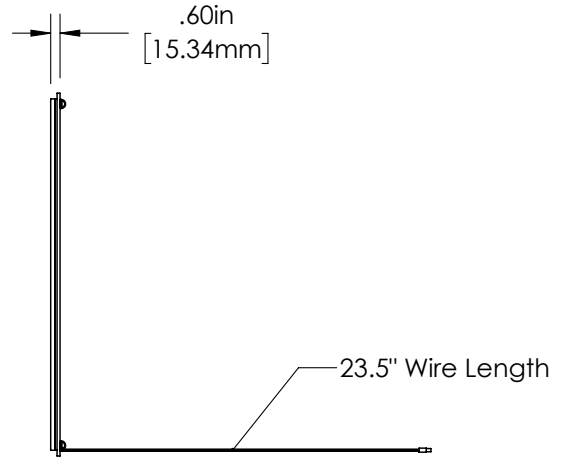
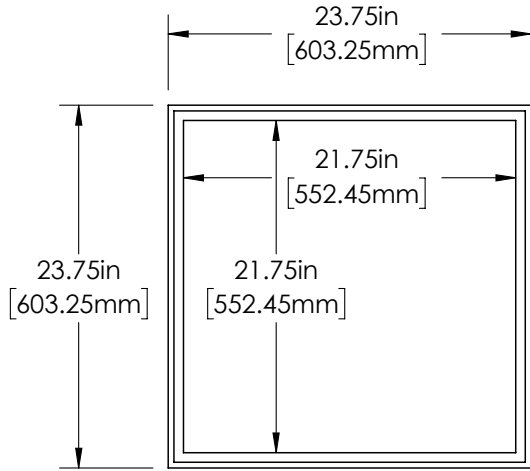


# TGLD Series

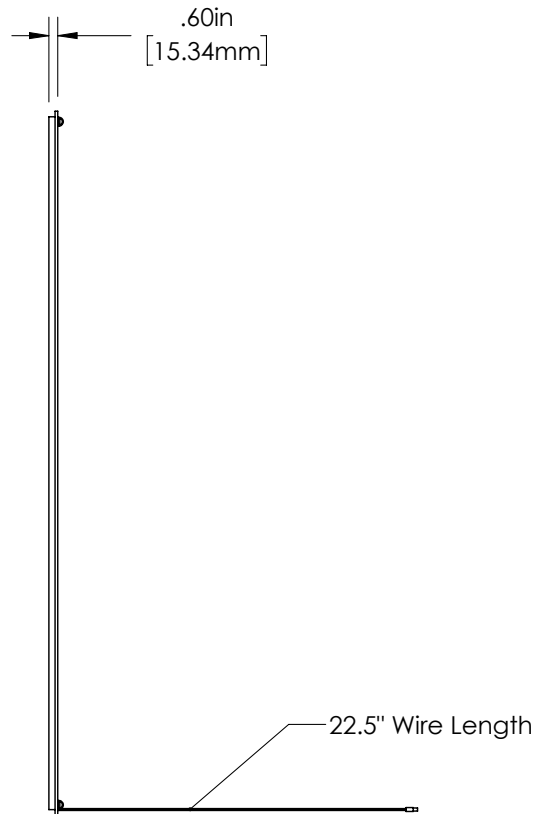
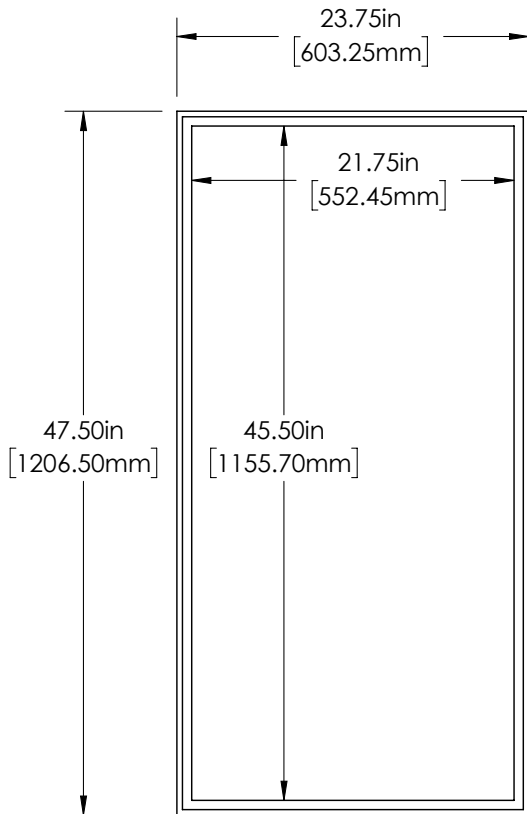
LED T-Bar Grid Panel Light Specifications

## Dimensional Drawing

TGLD-SW3C40-22



TGLD-SW3C40-24



# TGLD Series

LED T-Bar Grid Panel Light Specifications

## Specifications

Model		TGLD-SW3C40-22	TGLD-SW3C50-24
Panel Size (aprox.)		2' x 2'	2' x 4'
Power Consumption		30 W / 35 W / 40 W (selectable)	40 W / 45 W / 50 W (selectable)
Lumens		3,750 / 4,375 / 5,000 (selectable)	5,000 / 5,625 / 6,250 (selectable)
Current Draw	120 VAC	250 mA / 290 mA / 330 mA	330 mA / 375 mA / 420 mA
	277 VAC	110 mA / 130 mA / 140 mA	140 mA / 160 mA / 180 mA
Power Factor		≥0.9	
Operating Voltage		120-277 VAC	
Efficacy		125 lm/W	
Color Temperature(s)		3500K / 4000K / 5000K (selectable)	
Beam Angle		120°	
CRI		80+	
Dimming		0-10 V	
IP Rating		IP20	
Ambient Operating Temperature		-4°-113° F (-20°-45° C)	
Surge Protection	L-N	1 kV	
	L/N-G	2 kV	
Rated Life (L70)		50,000 hours	

T 866.811.5550

F 314.972.6202

email: [commercial-sales@superbrightleds.com](mailto:commercial-sales@superbrightleds.com)

[www.superbrightleds.com/cat/led-panel-light/](http://www.superbrightleds.com/cat/led-panel-light/)

[www.superbrightleds.com/cat/decorative-ceiling-light-panels/](http://www.superbrightleds.com/cat/decorative-ceiling-light-panels/)

