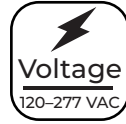


TGLD-SW3C50-24



Available Configurations¹

- TGLD-SW3C40-22
- TGLD-SW3C50-24

Part Number Breakdown

Example: TGLD-SW3C50-24

Series	CCT	Wattage	Panel Size
TGLD [T-Grid Light, Dimmable]	SW3C [3500K, 4000K, 5000K, Selectable CCT]	40 [30W, 35W, 40W, Selectable]	22 [2' x 2']
		50 [40W, 45W, 50W, Selectable]	24 [2' x 4']

Overview

The LED Grid Frame Light's innovative design illuminates the perimeter of ceiling panels, creating a stylish, edge-lit look. One grid frame light is equivalent to three T8 tubes for efficient operation and fits into standard drop ceilings. Field-selectable wattage and CCT can be adjusted during installation using the switches on the included junction box. Each frame light offers up to 6250 lumens with a wide 120° beam angle. They are best used to modernize basement lighting or update the look of your office, school, or retail space—sold in 2-packs.

Features

- Modern edge-lit design for ceilings
- Suspension mount in open-ceiling designs
- Equivalent to a 3-lamp T8 tube fixture
- Selectable CCT and wattage
- Sold in 2-Packs

Product Details

- Aluminum frame and polycarbonate lens
- Installs in standard T-grid drop ceilings
- Junction box with field-selectable switches
- 120-degree beam angle
- 120-277 VAC

Certifications and Compliances

- ETL Listed - UL 1598
- DLC 5.1 Premium listed



Applications

- Basements
- Hospitality
- Hospitals
- Offices
- Schools

Optional Suspension Mounting Kits

- 2' x 2' mounting kit (TGLD-SK22)
- 2' x 4' mounting kit (TGLD-SK24)



Warranty

- 5-year warranty



TGLD Series

LED Grid Panel Frame Light Specifications

Specifications

Model		TGLD-SW3C40-22	TGLD-SW3C50-24
Panel Size (approx.)		2ft x 2ft	2ft x 4ft
Wattage		30W, 35W, 40W, Selectable	40W, 45W, 50W, Selectable
Lumens		3750, 4375, 5000	5000, 5625, 6250
Current Draw	120 VAC	250/290/330mA	330/375/420mA
	277 VAC	110/130/140mA	140/160/180mA
Operating Voltage		120-277 VAC	
Efficacy		125 lm/W	
Power Factor		≥0.9	
Color Temperature		3500K, 4000K, 5000K, Selectable CCT	
Beam Angle		120°	
CRI		80+	
Dimmer Type		0-10V	
IP Rating		IP20	
Environmental Rating		Non-weatherproof, Suitable for Damp Locations	
Surge Protection	L-N	1kV	
	L/N-G	2kV	
Rated Life (L70)		50000 hours	
Ambient Operating Temperature		-20 to 45°C (-4 to 113°F)	

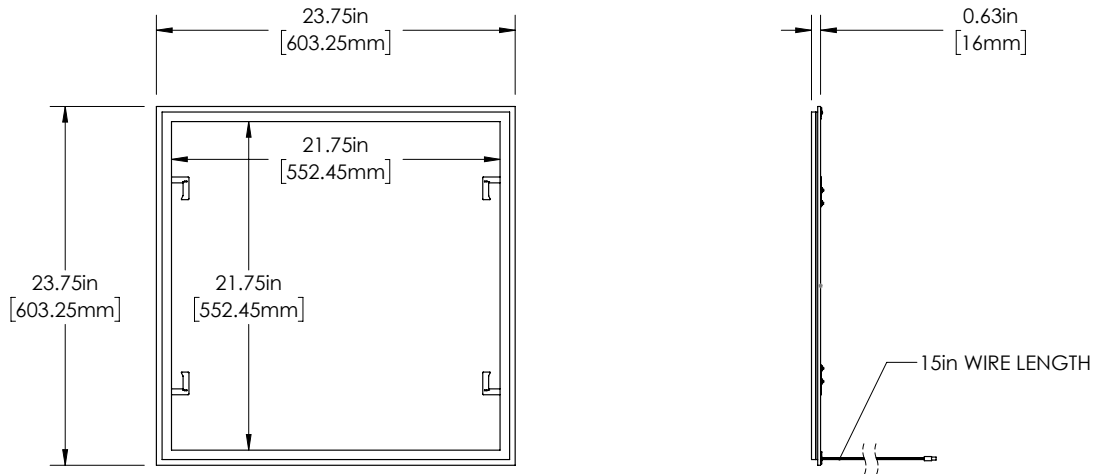


TGLD Series

LED Grid Panel Frame Light Specifications

Dimensional Drawing

TGLD-SW3C40-22



TGLD-SW3C40-24

