

**UHBD-S1 Series**

LED UFO High Bay Specifications

Project \_\_\_\_\_ Date \_\_\_\_\_

Type \_\_\_\_\_



UHBD-S1-50K150-80H



**Available Models<sup>1</sup>**

5000K Standard Voltage

- UHBD-S1-50K80-80H
- UHBD-S1-50K100-80H
- UHBD-S1-50K150-80H
- UHBD-S1-50K200-80H
- UHBD-S1-50K240-80H
- UHBD-S1-50K300-80H
- UHBD-S1-50K80-80H (White)
- UHBD-S1-50K100-80H (White)
- UHBD-S1-50K150-80H (White)
- UHBD-S1-50K200-80H (White)
- UHBD-S1-50K240-80H (White)

5000K High Voltage

- UHBD-S1-50K150-80H-HV
- UHBD-S1-50K240-80H-HV
- UHBD-S1-50K300-80H-HV

4000K Standard Voltage

- UHBD-S1-40K100-80H
- UHBD-S1-40K150-80H
- UHBD-S1-40K200-80H
- UHBD-S1-40K240-80H
- UHBD-S1-40K300-80H

**Part Number Breakdown**

Example: UHBD-S1-50K150-80H-HV

Series	CCT	Wattage	Beam Angle	Efficacy	Options
<b>UHBD-S1</b> [UFO High Bay, Dimmable, V1]	<b>40K</b> [4000K] or <b>50K</b> [5000K]	<b>80</b> [80 watts]	<b>80</b> [80°]	<b>H</b> [140 lm/W]	<b>blank</b> [black, 100-277 VAC] <b>(white)</b> [white, 100-277 VAC] <b>-HV</b> [black 270-480 VAC]
		<b>100</b> [100 watts]			
		<b>150</b> [150 watts]			
		<b>200</b> [200 watts]			
		<b>240</b> [240 watts]			
		<b>300</b> [300 watts]			

**Description**

Provide even illumination for tall ceiling applications with UHBD-S1 series UFO LED High Bay. An improved alternative to traditional metal halides, the design is more compact and efficient. Low profile aluminum housing has built-in heat sinks for passive cooling. Powder coated exterior and IP65 rating resists corrosion and moisture. Integrated LEDs deliver up to 140 lumens per watt, with a polycarbonate lens designed to reduce glare.

**Features**

- More compact, lightweight, and efficient than metal halide fixtures
- Integrated heat sinks for thermal management and extended lifespan
- High efficacy of 140 lm/W lowers energy costs

**Warranty**

- 5-year warranty

**Certifications and Compliances**

- Certified by UL - UL 1598 (IFAM)
- DLC 5.1 Premium listed



**Product Details**

- Black powder coated aluminum housing
- Polycarbonate lens reduces glare
- 80° beam angle
- 0-10V dimmable
- 100-277 VAC
- IP65 waterproof, suitable for wet locations
- 50000 hour (L70) lifespan
- Safety cable provides additional mounting support
- Mounting hook and 20in. 18AWG power wire included

**Applications**

- Arenas
- Commercial Buildings
- Factories
- Gymnasiums
- Retail Shops
- Supermarkets
- Warehouses
- Workshops



<sup>1</sup>Contact customer service if interested in other options.

## UHBD-S1 Series

LED UFO High Bay Specifications

### Optional Accessories

#### Polycarbonate Reflector

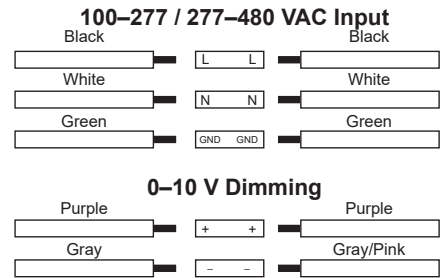
- UHBD-S1-PR100 (for UHBD-S1-xK100-x)
- UHBD-S1-PR150 (for UHBD-S1-xK150-x)
- UHBD-S1-PR200 (for UHBD-S1-xK200-x, UHBD-S1-xK240-x, and UHBD-S1-xK300-x)

#### Wire Guard

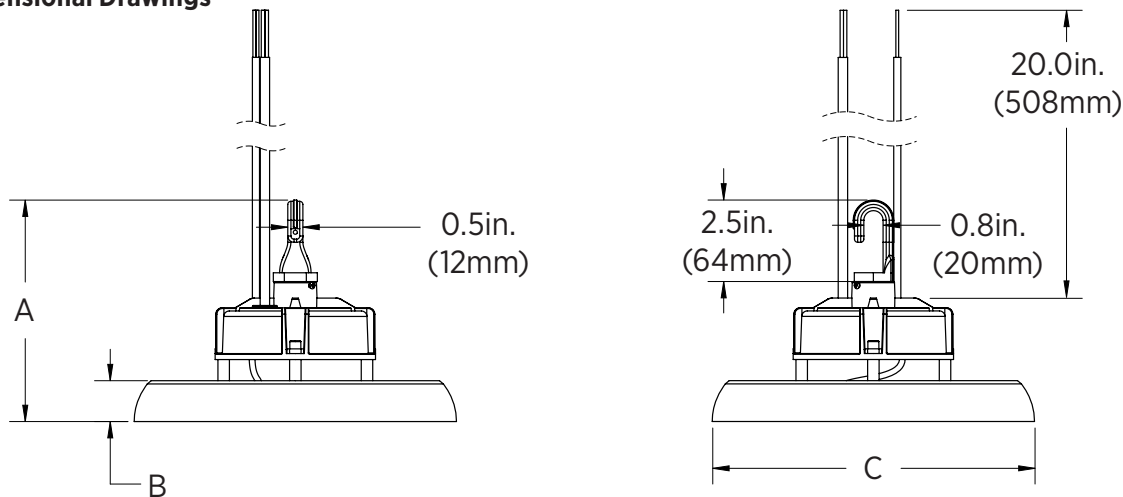
- UHBD-S1-WG100 (for UHBD-S1-xK100-x)
- UHBD-S1-WG150 (for UHBD-S1-xK150-x)
- UHBD-S1-WG200 (for UHBD-S1-xK200-x, UHBD-S1-xK240-x, and UHBD-S1-xK300-x)



### Wiring Diagram



### Dimensional Drawings



Model	A	B	C
UHBD-S1-xK80-80H / UHBD-S1-xK100-80H	7.0in. (178mm)	1.3in. (33mm)	10.25in. (260mm)
UHBD-S1-xK150-80H	7.3in. (186mm)	1.75in. (44mm)	11.0in. (280mm)
UHBD-S1-xK150-80H-HV	7.4in. (189mm)	1.75in. (44mm)	11.0in. (280mm)
UHBD-S1-xK200-80H / UHBD-S1-xK240-80H	7.5in. (191mm)	2.0in. (50mm)	13.4in. (340mm)
UHBD-S1-xK240-80H-HV	8.4in. (214mm)	2.0in. (50mm)	13.4in. (340mm)
UHBD-S1-xK300-80H	8.1in. (204mm)	2.2in. (55mm)	13.4in. (340mm)
UHBD-S1-xK300-80H-HV	8.8in. (224mm)	2.2in. (55mm)	13.4in. (340mm)



# UHBD-S1 Series

LED UFO High Bay Specifications

## Specifications

Model UHBD-S1-	xK80-80H	xK100-80H	xK150-x	xK200-x	xK240-x	xK300-x
Operating Voltage	100-277 VAC or 277-480 VAC <sup>2</sup> (as ordered)					
Lumens	11200 lm	14000 lm	21000 lm	28000 lm	33600 lm	42000 lm
Wattage	80 watts	100 watts	150 watts	200 watts	240 watts	300 watts
Current Draw <sup>3</sup>	120 VAC	670mA	833mA	1.25A	1.67A	2A
	277 VAC	290mA	361mA	542mA	722mA	866mA
	480 VAC	N/A	N/A	313mA	N/A	500mA
Efficacy	140 lm/W					
Color Temperature	4000K or 5000K (as ordered)					
Beam Angle	80°					
CRI	80+					
Dimming	0-10V					
IP Rating	IP65					
Rated Life (L70)	50000 hours					
Ambient Operating Temperature	-40-45 °C (-40-113 °F)					

<sup>2</sup>277-480 VAC not available on 100W or 200W models.

<sup>3</sup>Varies by input voltage—models must be ordered by desired input voltage range.

