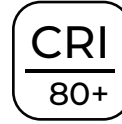




EC-IP20-80CRI-5m



Available Versions¹

18 LEDs/ft

12 VDC

- STN-B-A24K80-B3A-08B5M-12V
- STN-B-A30K80-B3A-08B5M-12V
- STN-B-A40K80-B3A-08B5M-12V
- STN-B-A50K80-B3A-08B5M-12V
- STN-B-A65K80-B3A-08B5M-12V

24 VDC

- STN-B-A24K80-B6A-08B5M-24V
- STN-B-A30K80-B6A-08B5M-24V
- STN-B-A40K80-B6A-08B5M-24V
- STN-B-A50K80-B6A-08B5M-24V
- STN-B-A65K80-B6A-08B5M-24V

36 LEDs/ft

12 VDC

- STN-B-A24K80-B3A-08C5M-12V
- STN-B-A30K80-B3A-08C5M-12V
- STN-B-A40K80-B3A-08C5M-12V
- STN-B-A50K80-B3A-08C5M-12V
- STN-B-A65K80-B3A-08C5M-12V

24 VDC

- STN-B-A24K80-B6A-08C5M-24V
- STN-B-A30K80-B6A-08C5M-24V
- STN-B-A40K80-B6A-08C5M-24V
- STN-B-A50K80-B6A-08C5M-24V
- STN-B-A65K80-B6A-08C5M-24V

SAMPLE PART NUMBER BREAKDOWN

STN-B-A24K80-B3A-08B5M-12V

Series	Strip Type	CCT	CRI	LED Type	LEDs/Segment	IP Rating	Strip Width	Density	Length	Voltage
STN-B	A	24K	80	B	3	A	08	B	5M	12V
Non-weatherproof	Single CCT	24K: 2400K 30K: 3000K 40K: 4000K 50K: 5000K 65K: 6500K	80+	3528 SMD	3: 3 LEDs/seg 6: 6 LEDs/seg	IP20	8mm	B: 60 LEDs/m C: 120 LEDs/m	5 meters	12V: 12 VDC 24V: 24 VDC

Overview

This flexible LED strip light is the foundation of Super Bright LEDs' Eco Series. It is long-lasting, efficient, and perfect for a wide range of indoor applications. Peel-and-stick 3M™ adhesive backing enables fast, easy mounting. Backed by a lifetime warranty.

Features

- Uses dependable, industry-standard 3528 SMD LEDs
- 3M™ adhesive backing for surface mounting
- 0-100% PWM dimmable
- Choose 18 or 36 LEDs/ft

Product Details

- 12V input for vehicle applications; 24V for longer runs
- 80+ CRI for true-to-life color tones
- 8mm strip width
- 50000 hour LED lifetime

Certifications and Compliances

- UL Listed - UL 2108 (IFDR)
- CE compliant

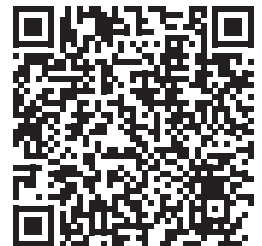


Applications

- Bars and Restaurants
- Countertop Lighting
- Cove Lighting
- Display Cases
- Retail Shops
- Task Lighting
- Toe Kick Lighting
- Trade Shows
- Under-Cabinets

Warranty

- Lifetime Warranty



White LED Strip Lights

3528 LED Strip Specifications

18 LEDS/ft

SPECIFICATIONS		
Model	STN-B-AxK80-B3A-08B5M-12V	STN-B-AxK80-B6A-08B5M-24V
PHOTOMETRIC		
Color Temperature	2400K, 3000K, 4000K, 5000K, or 6500K (as ordered)	
Lumens per Foot	154 lm/ft	
Efficacy	105 lm/W	
CRI	80+	
Beam Angle	120°	
ELECTRICAL		
Max Run (Class 2)	36.1 ft (11 m)	59 ft (18 m)
Operating Voltage	12 VDC	24 VDC
Current Draw	2A	1A
Current Draw per Foot	122 mA/ft	61 mA/ft
Wattage	24 Watts	
Wattage per Foot	1.5 W/ft	
Dimmer Type	PWM	
MECHANICAL		
LEDs per Segment	3	6
Minimum Cut Length	50mm (1.97in.)	100mm (3.9in.)
LED Density	18 LEDS/ft	
Length	16.4ft (5m)	
Strip Width	8mm (0.31in.)	
Input Connection Type	Pigtail	
LED Type	3528 SMD	
LED Lifetime	50000 hours	
ENVIRONMENTAL		
IP Rating	IP20	
Environmental Rating	Suitable for Dry Locations, Non-weatherproof	
Ambient Operating Temperature	-20 to 60°C (-4 to 140°F)	



White LED Strip Lights

3528 LED Strip Specifications

36 LEDs/ft

SPECIFICATIONS		
Model	STN-B-AxK80-B3A-08C5M-12V	STN-B-AxK80-B6A-08C5M-24V
PHOTOMETRIC		
Color Temperature	2400K, 3000K, 4000K, 5000K, or 6500K (as ordered)	
Lumens per Foot	307 lm/ft	
Efficacy	105 lm/W	
CRI	80+	
Beam Angle	120°	
ELECTRICAL		
Max Run (Class 2)	18 ft (5.5 m)	29.5 ft (9 m)
Operating Voltage	12 VDC	24 VDC
Current Draw	4A	2A
Current Draw per Foot	244 mA/ft	122 mA/ft
Wattage	48 Watts	
Wattage per Foot	2.9 W/ft	
Dimmer Type	PWM	
MECHANICAL		
LEDs per Segment	3	6
Minimum Cut Length	25mm (1.00in.)	50mm (1.97in.)
LED Density	36 LEDs/ft	
Length	16.4ft (5m)	
Strip Width	8mm (0.31in.)	
Input Connection Type	Pigtail	
LED Type	3528 SMD	
LED Lifetime	50000 hours	
ENVIRONMENTAL		
IP Rating	IP20	
Environmental Rating	Suitable for Dry Locations, Non-weatherproof	
Ambient Operating Temperature	-20 to 60°C (-4 to 140°F)	

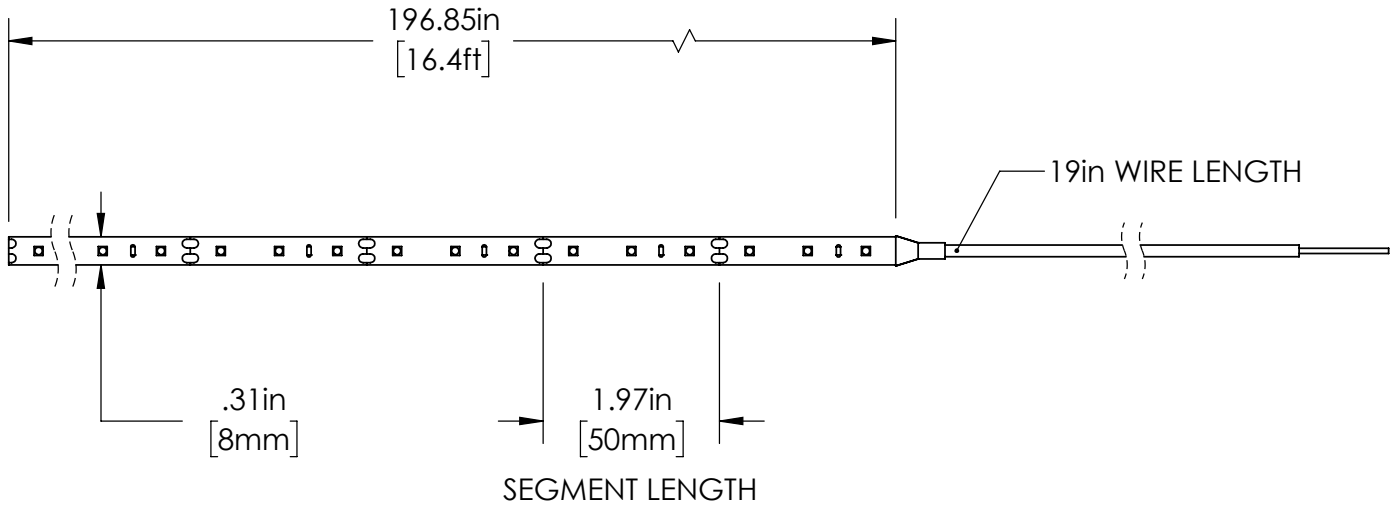


White LED Strip Lights

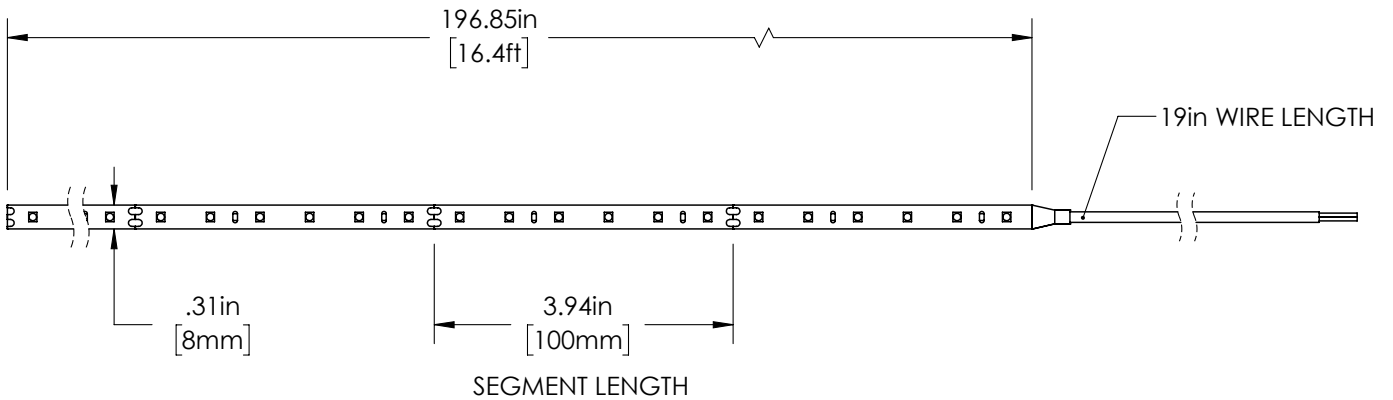
3528 LED Strip Specifications

Dimensional Drawings

STN-B-AxK80-B3A-08B5M-12V

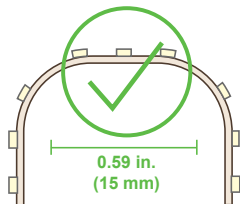


STN-B-AxK80-B6A-08B5M-24V



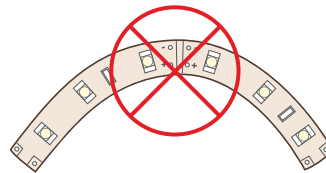
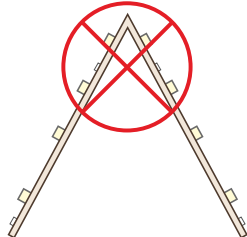
Note: Strip thickness -0.09in. (2.3mm)

Strip Flexibility



Bends less than 15mm will damage circuit traces and void warranty.

Bending strips at sharp angles will damage circuit traces and void warranty.



Bending strips on horizontal plane will damage circuit traces and void warranty.

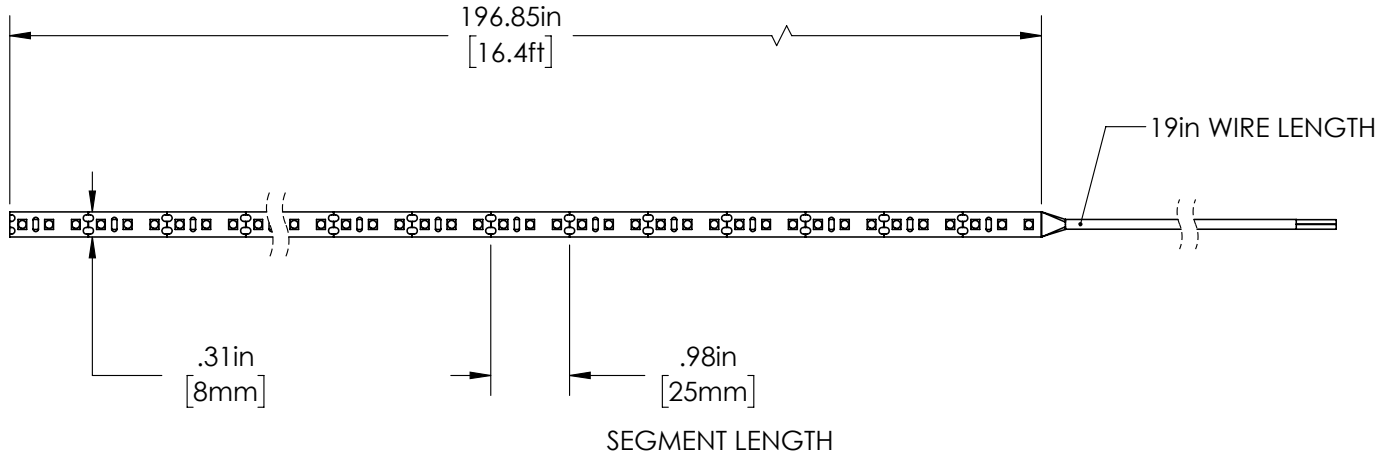


White LED Strip Lights

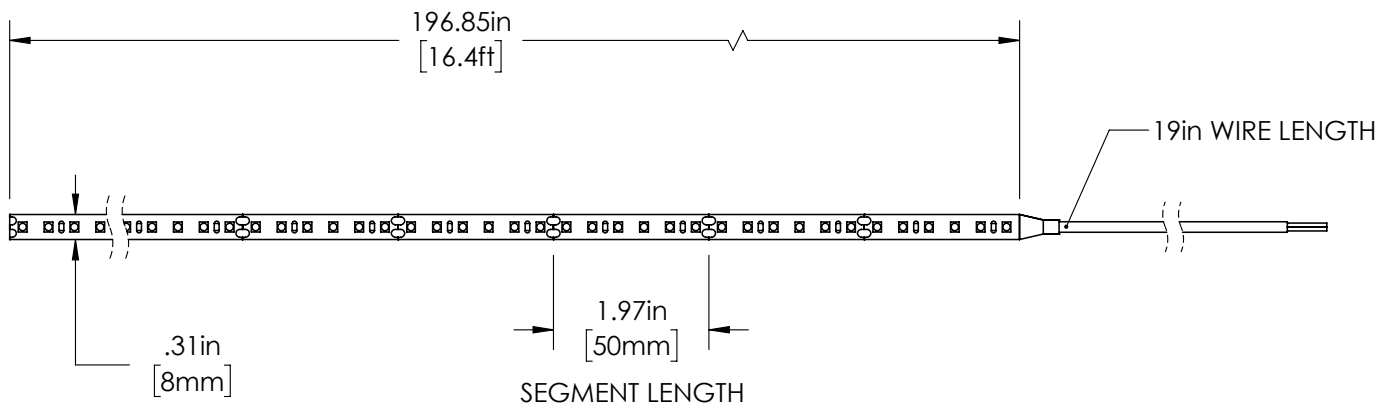
3528 LED Strip Specifications

Dimensional Drawings

STN-B-AxK80-B3A-08C5M-12V

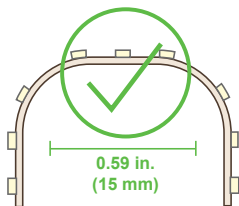


STN-B-AxK80-B6A-08C5M-24V



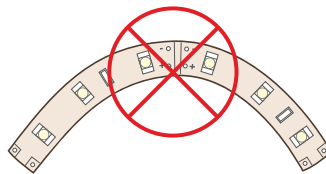
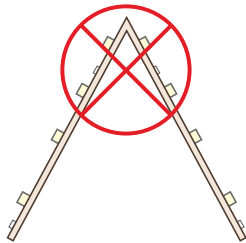
Note: Strip thickness -0.09in. (2.3mm)

Strip Flexibility



Bends less than 15mm will damage circuit traces and void warranty.

Bending strips at sharp angles will damage circuit traces and void warranty.



Bending strips on horizontal plane will damage circuit traces and void warranty.

