

WPR2 and WPRCCT Series

Rotatable LED Wall Pack Specifications

Project _____

Date _____ Type _____



WPR2-50K120-FST1-BRP



Description

WPR2 and WPRCCT series wall packs utilize LED modules that rotate a full 360° for versatile, adaptable light aiming and distribution. Integrated photocell enables automatic dusk to dawn operation. Die-cast aluminum housing is powder coated and sealed polycarbonate lens are designed to withstand outdoor conditions. Superior thermal management and high performance LEDs ensure a long lifespan and zero maintenance for this architectural fixture. Selectable CCT models also allow the installer to choose between 3000K, 4000K, and 5000K settings.

Mechanical

- 360° light head rotation in 15° increments
- Brown (Pantone 412C) powder-coated aluminum housing and polycarbonate lens
- Operating temperature of -22°-113° F (-30°-45° C)
- IP65 environmental rating
- 5-year warranty

Electrical

- 120-277 VAC input
- 0-10 V dimmable
- Built-in surge protection
- Integrated photocell
- 50,000 hour rated LED lifespan
- Power factor ≥0.9

Photometrics

- NEMA 4 x 4 distribution (60° x 60° beam angle)
- Single CCT and selectable CCT (3000K / 4000K / 5000K) versions

Available Models¹

3000K

WPR2-30K120-FST1-BRP

4000K

WPR2-40K40-HST1-BRP

WPR2-40K80-WST1-BRP

WPR2-40K120-FST1-BRP

5000K

WPR2-50K40-HST1-BRP

WPR2-50K80-WST1-BRP

WPR2-50K120-FST1-BRP

Selectable CCT

WPRCCT-SW3B25-HST1-BRP

WPRCCT-SW3B60-WST1-BRP

Part Number Breakdown

Example: WPRCCT-SW3B60-WST1-BRP

| Family | Color Temperature | Wattage | Distribution | Finish | Built-in Options |
|--------|--|-------------|---|---------------|------------------|
| WPR2 | 30K [3000K] | 40 [40 W] | HST1, WST1, or FST1 [NEMA 4x4] | BR [brown] | P [photocell] |
| | 40K [4000K] | 80 [80 W] | | | |
| | or 50K [5000K] | 120 [120 W] | | | |
| WPRCCT | SW3B [selectable, 3000K / 4000K / 5000K] | 25 [25 W] | HST1, WST1, or FST1 [NEMA 4x4] | BR [brown] | P [photocell] |
| | | 60 [60 W] | | | |

Certifications and Compliances

These lights are Certified by UL in compliance with UL 1598 (IFAM) and 4000K, 5000K, and selectable CCT models are listed as DLC Premium 5.1².



Application

Easily replace inefficient metal-halide fixtures such as those found in warehouses, parking lots and garages, gas stations, and other commercial and industrial spaces. These are also a great solution for entryways, walkways, and other areas where good lighting is essential for security.

Warranty

Five (5) Year Warranty

¹Contact customer service if interested in options other than those listed.

²To meet the requirements of DLC certification, lamps on dual-head lights must be aimed in the same direction.



T 866.811.5550

F 314.972.6202

email: commercial-sales@superbrightleds.com

www.superbrightleds.com/cat/industrial-led-lighting/

Rev V3 Date: 12/15/2021

Specifications are subject to change without notice.

Printed in the U.S.A.

WPR2 and WPRCCT Series

Rotatable LED Wall Pack Specifications

Specifications

| Model | WPR2 | | | WPRCCT | |
|-------------------------------|--------------------------------------|--|---|-------------------------------------|--------------------------------------|
| | -xK40-HST1-BRP | -xK80-WST1-BRP | -xK120-FST1-BRP | -SW3B25-HST1-BRP | -SW3B60-WST1-BRP |
| Intensity ³ | 5,600 lm (4000K) 5,800 lm (5000K) | 10,800 lm (4000K) 11,200 lm (5000K) | 15,600 lm (3000K) 16,200 lm (4000K) 16,800 lm (5000K) | 3,250–3,375 lm ³ | 7,500–8,400 lm ³ |
| Operating Voltage | 120–277 VAC | | | | |
| Power Consumption | 40 W | 80 W | 120 W | 25 W | 60 W |
| Current Draw | 333 mA @ 120 VAC 144 mA @ 277 VAC | 667 mA @ 120 VAC 288 mA @ 277 VAC | 1 A @ 120 VAC 433 mA @ 277 VAC | 208 mA @ 120 VAC 90 mA @ 277 VAC | 500 mA @ 120 VAC 217 mA @ 277 VAC |
| Efficacy | 140–145 lm/W | 135–140 lm/W | 130–140 lm/W | 130–135 lm/W | 125–140 lm/W |
| Color Temperature | 4000K or 5000K (as ordered) | | 3000K, 4000K, or 5000K (as ordered) | 3000K / 4000K / 5000K | |
| Beam Angle | 60° x 60° (NEMA 4 x 4) | | | | |
| CRI | 70+ | | | | |
| Dimming | yes (0–10 V) | | | | |
| IP Rating | IP65 | | | | |
| Ambient Operating Temperature | -22°–113° F (-30°–45° C) | | | | |
| Product Weight | 4.25 lb (1.9 kg) | 6.5 lb (2.9 kg) | 7.25 lb (3.3 kg) | 4.1 lb (1.9 kg) | 6.2 lb (2.8 kg) |
| Surge Protection | 4 kV (L-N, L/N-GND) | 2 kV (L-N) 4 kV (L/N-GND) | 6 kV (L-N) 10 kV (L/N-GND) | 2.5 kV (L-N, L/N-GND) | 2 kV (L-N) |
| Rated Life (L70) | 50,000 hours | | | | |

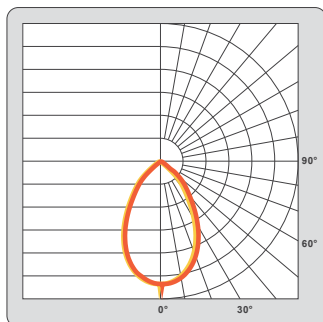
Photocell Operation

40 W and 25 W lights will turn on when the ambient light level falls below 30 lx and will turn off when the ambient light level exceeds 130 lx. 60 W, 80 W, and 120 W lights will turn on when the ambient light level falls below 15 lx and will turn off when the ambient light level exceeds 45 lx.

Photometric Data

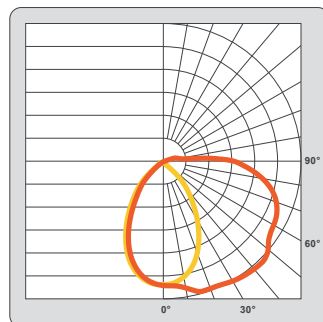
Standard Beam Angle

(single light head models and dual light head models with both aimed down)



Rotated Beam Angle

(dual light head models with one aimed down and one rotated upward 60°)



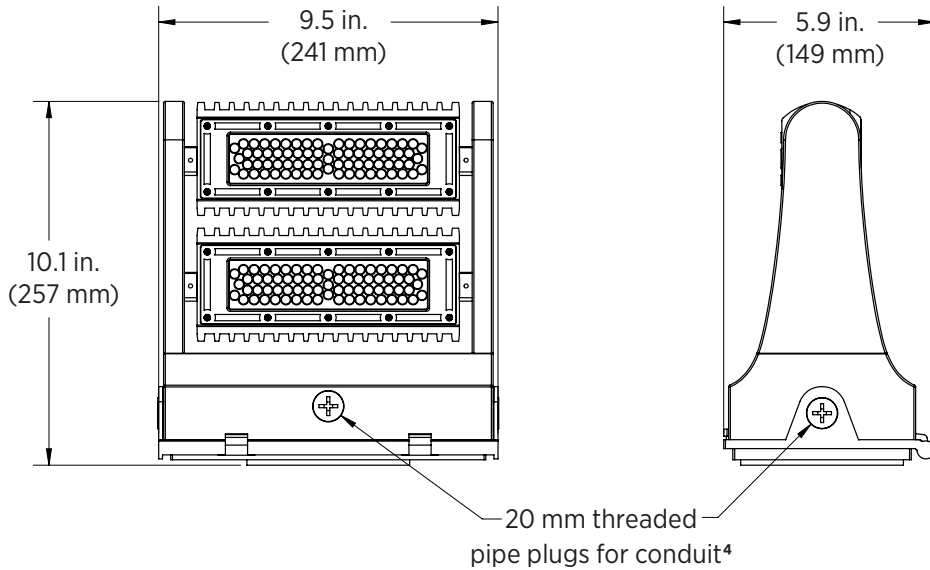
³Lumen value varies by CCT on selectable CCT models with 3000K being the lowest end of the range and 4000K and 5000K at the high end.

WPR2 and WPRCCT Series

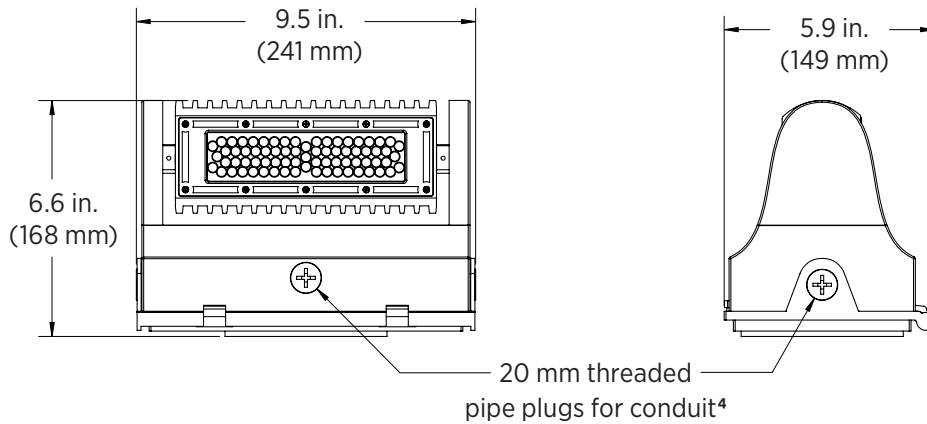
Rotatable LED Wall Pack Specifications

Dimensions

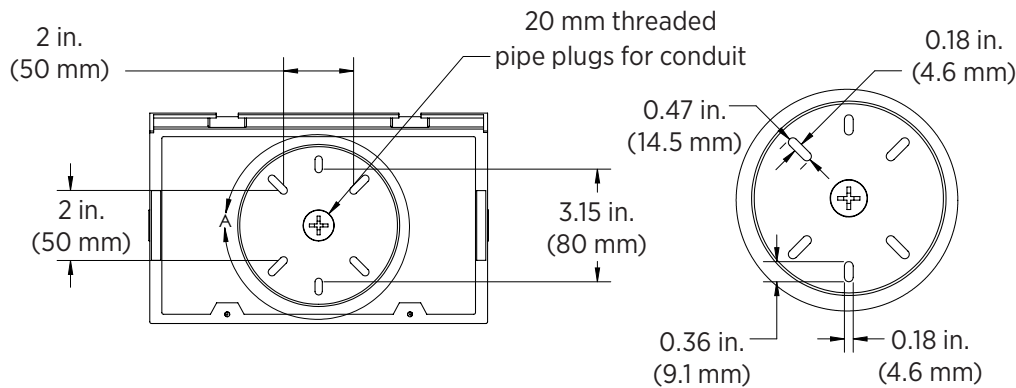
WPR2-xK80-WST1-BRP, WPR2-xK120-FST1-BRP, and WPRCCT-SW3B60-WST1-BRP



WPR2-xK40-HST1-BRP and WPRCCT-SW3B25-HST1-BRP



All Models



⁴Lum

