

**Important: Read all instructions prior to installation.**

## LED Wall Pack

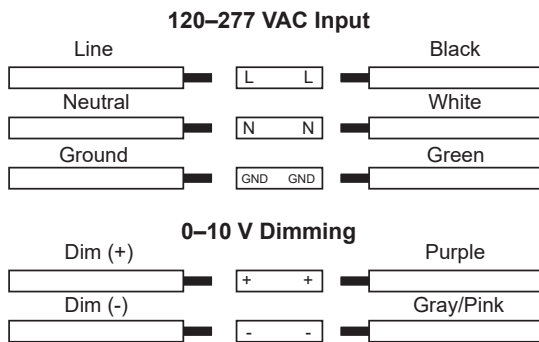


### Specifications

Model	WP3 Series
Operating Temperature	-40°–122° F (-40°–50° C)
IP Rating	IP65
Dimming	0–10 V
Photocell Operation	Light will turn on when the ambient light level falls below 30 lx and will turn off when the ambient light level exceeds 60 lx.

Check product label for specific electrical specifications related to installation. Improper installation will void warranty.

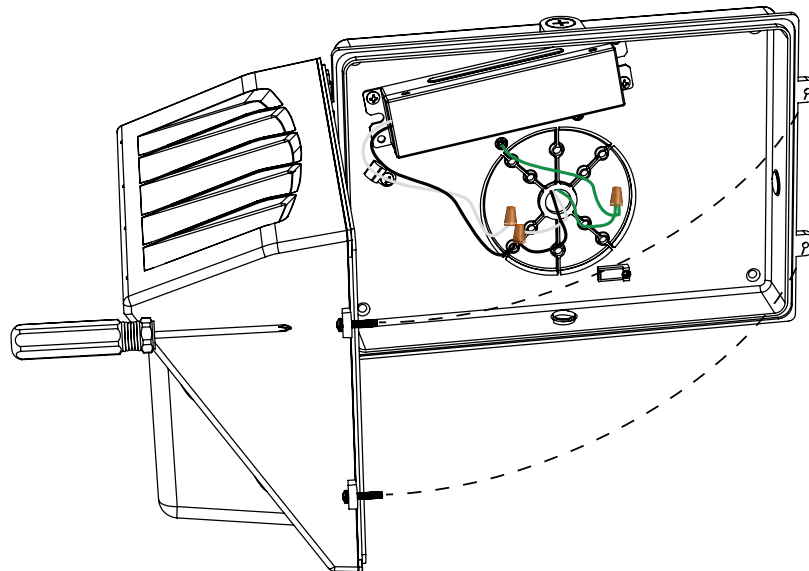
### Wiring Diagram



### Safety and Notes

- Product should be installed and serviced by a certified electrician in accordance with applicable national, state, and local building and electrical codes.
- To reduce the risk of electric shock, ensure that the main power source and circuit breakers are switched off before performing any installation or wiring procedures.
- Avoid looking directly into lamp when illuminated.
- Ensure all mounts are securely attached and will support the weight of the fixture. Failure to properly support fixture may result in damage or injury, for which the manufacturer does not assume responsibility.
- Photocell sensor can be disabled by unplugging it and capping the connector that was attached to the sensor.

### Opening Fixture

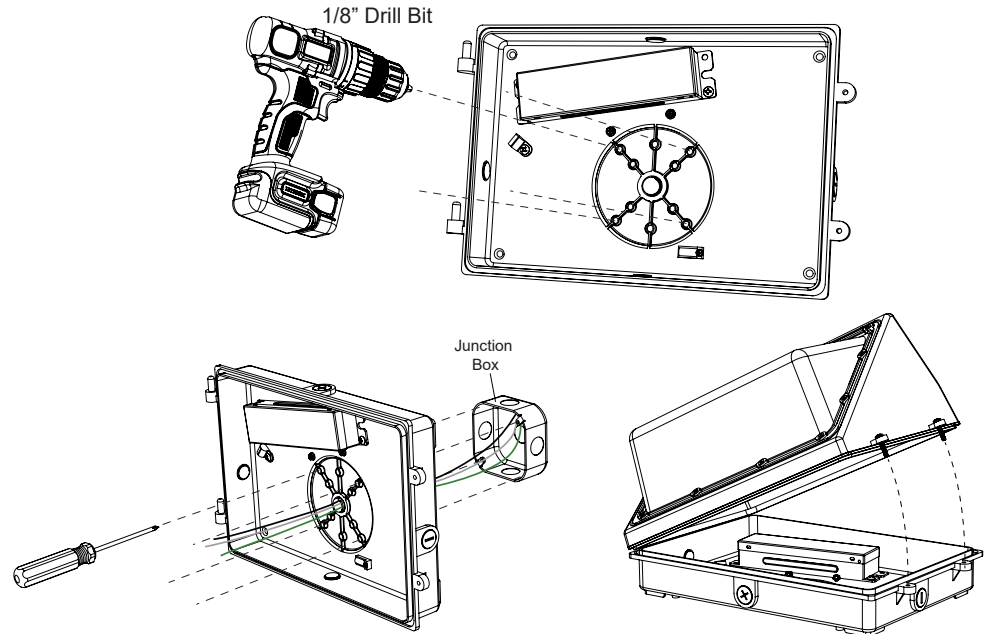


**Important: Read all instructions prior to installation.**

## LED Wall Pack

### Wall/Junction Box Installation

1. Loosen two screws on fixture, then swing front housing open.
2. Disconnect LED wiring from driver. Lift up front housing and remove.
3. Drill holes in rear housing for mounting, and remove plug for wiring.
4. With supply power off, connect wiring
5. Mount rear housing to junction box.
6. Connect LED wiring from front housing to driver and slide back on to rear housing.
7. Tighten two screws to secure front housing to rear housing.



### Conduit Installation

1. Loosen two screws on fixture, then swing front housing open.
2. Disconnect LED wiring from driver. Lift up front housing and remove.
3. Drill holes in rear housing, and mount housing to surface.  
Note: Sealant should be used around mounting points to avoid water intrusion.
4. Remove plug and attach conduit.
5. With supply power off, connect wiring.
6. Connect LED wiring from front housing to driver and slide back on to rear housing.
7. Tighten two screws to secure front housing to rear housing.

