

Important: Read all instructions prior to installation.

LED Flood Lights



FLCU-X1-50K150-SV

Safety and Notes

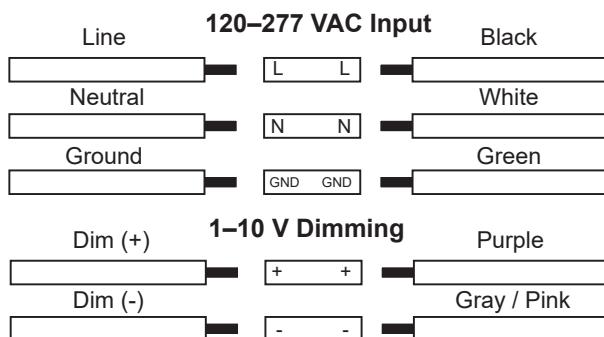
- Product should be installed and serviced by a certified electrician in accordance with applicable national, state, and local building and electrical codes.
- To reduce the risk of electric shock, ensure that the main power source and circuit breakers are switched off before performing any installation or wiring procedures.
- Avoid looking directly into lamp when illuminated.
- Ensure all mounts are securely attached and will support the weight of the fixture. Failure to properly support fixture may result in damage or injury, for which the manufacturer does not assume responsibility.

Specifications

Specifications	FLCU-X1-50K100-SV	FLCU-X1-50K150-SV	FLCU-X1-50K200-SV	FLCU-X1-50K240-SV
Operating Temperature	-22°–113° F (-30°–45° C)			
IP Rating	IP66			
Fixture Weight	6.5 lb (2.9 kg)	8.5 lb (3.9 kg)	12.8 lb (5.8 kg)	13.1 lb (5.9 kg)

Check product label for specific electrical specifications related to installation.
Improper installation will void warranty.

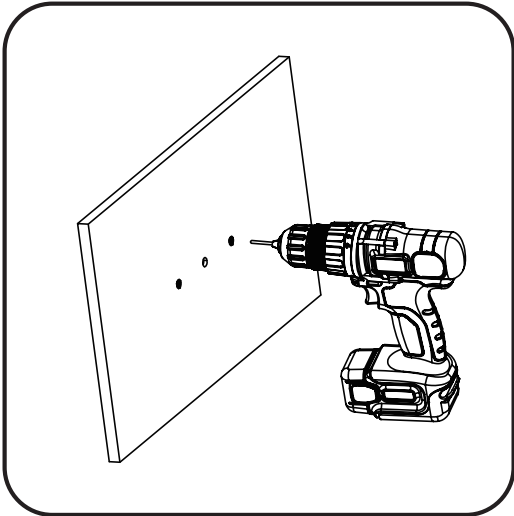
Wiring Diagram



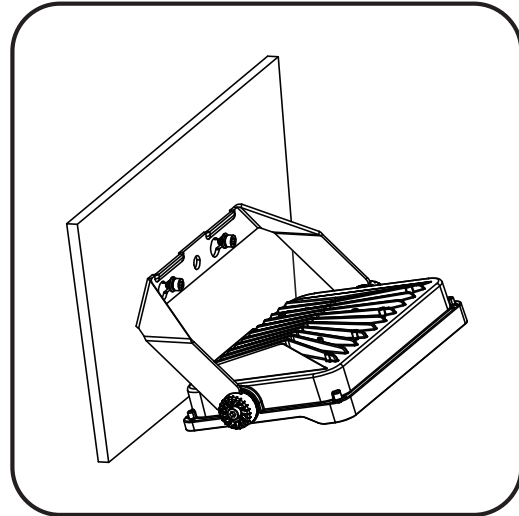
Important: Read all instructions prior to installation.

LED Flood Lights

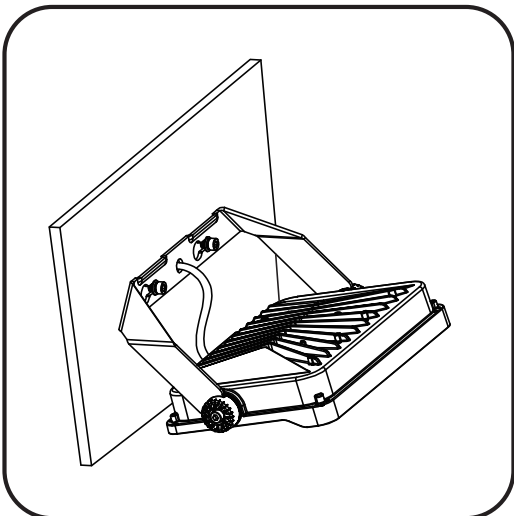
Installation Instructions



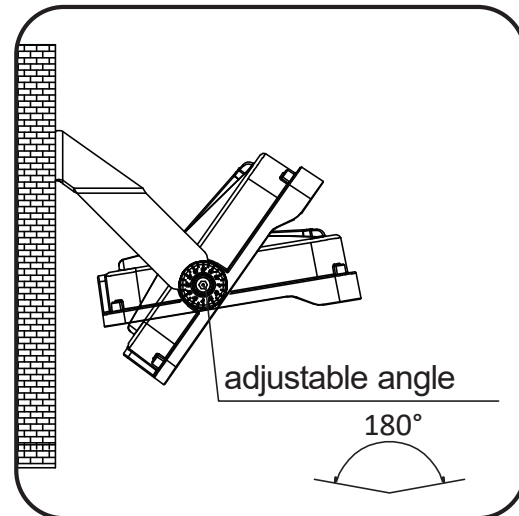
1. Use the mounting bracket to mark the mounting surface and drill holes as needed.



2. Place studs in holes with a loosely threaded nut on the end or place bolts into the holes without fully tightening.



3. Place the mounting bracket over the bolts/studs and push it flush with the wall, then tighten the nuts/bolts.



4. Loosen adjustment screws. Rotate the light to the desired angle and tighten screws.

