



HBUD2-50K150HSD-HV



Available Models¹

Fixture Only

- HBUD2-50K150HSD-HV
- HBUD2-50K200HSD-HV
- HBUD2-50K300HSD-HV
- HBUD2-50K500HSD-HV

Fixture with Reflector

- HBUD2-50K150HSD-HV-PC
- HBUD2-50K200HSD-HV-PC
- HBUD2-50K300HSD-HV-PC

Part Number Breakdown

Example: HBUD2-50K150HSD-HV-PR

Series	CCT	Wattage	Efficacy	Driver	Dimming	Voltage	Accessory
HBUD2 [High Bay, UFO, Dimmable, V2]	50K [5000K]	150 [150 W]	H [170 lm/W]	S [Sosen]	D [0-10 V]	HV [277-480 VAC]	blank [none]
		200 [200 W]					
		300 [300 W]					
		500 [500 W]					PC [PC Reflector]

Overview

The round high-voltage LED high bay is designed to lower maintenance costs by replacing traditional metal halide fixtures. The high bay is constructed with a powder-coated aluminum housing and polycarbonate lens. Built to resist water and dust, the UFO high bay has a waterproof IP65 rating. Install the fixture using the included stainless steel eye hook or use a compatible adjustable U-bracket (sold separately).

Features

- 400-1,500W metal halide equivalency
- High voltage 277-480 VAC
- Mounts using the included eye hook
- Optional adjustable U-bracket available
- IP65 waterproof

Product Details

- Black aluminum housing
- Polycarbonate lens
- 0-10V dimming
- Eye hook for suspended mounting
- Compatible with optional reflector

Certifications and Compliances

- ETL Listed - UL 1598
- DLC 5.1 Premium listed



Applications

- Distribution Centers
- Factories
- Gymnasiums
- Manufacturing Plants
- Packaging Facilities
- Retail Shops
- Supermarkets
- Warehouses
- Workshops

Warranty

- 5-year warranty



¹Contact customer service if interested in other options.

HBUD2 Series

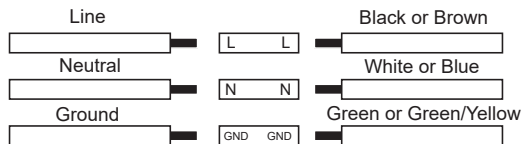
LED UFO High Voltage High Bay Specifications

Specifications

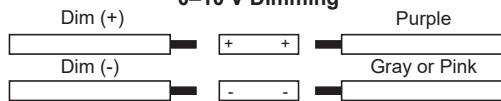
Model HBUD2-		50K150HSD-HV	50K200HSD-HV	50K300HSD-HV	50K500HSD-HV
Intensity		25,500 lm	34,000 lm	49,500 lm	82,500
Power Consumption		150 W	200 W	300 W	500 W
Current Draw	277 VAC	542 mA	722 mA	1.08 A	1.81 A
	480 VAC	313 mA	417 mA	625 mA	1.04 A
Efficacy		170 lm/W		165 lm/W	
Operating Voltage		277-480 VAC			
Color Temperature		5000K			
Beam Angle		100°			
CRI		80+			
Dimming		0-10 V			
Power Factor		≥0.9			
IP Rating		IP65			
Rated Life (L70)		50,000 hours			
Ambient Operating Temperature		-22°-122° F (-30°-50° C)			

Wiring Diagram

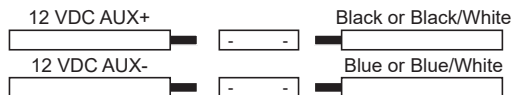
277-480 VAC Input



0-10 V Dimming



AUX (optional sensors)



Optional Accessories

U-Bracket

HBUD-8-UB (for ≤300 W)



Motion Sensor

HBUD-MS (277 VAC only)

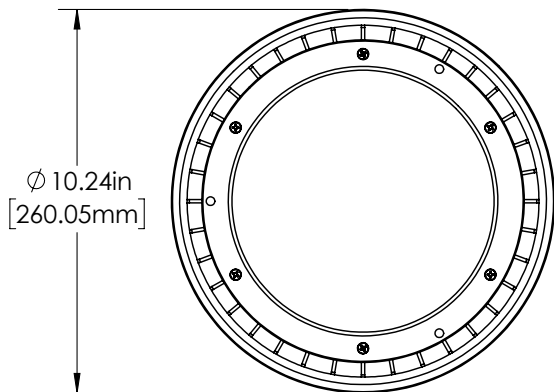
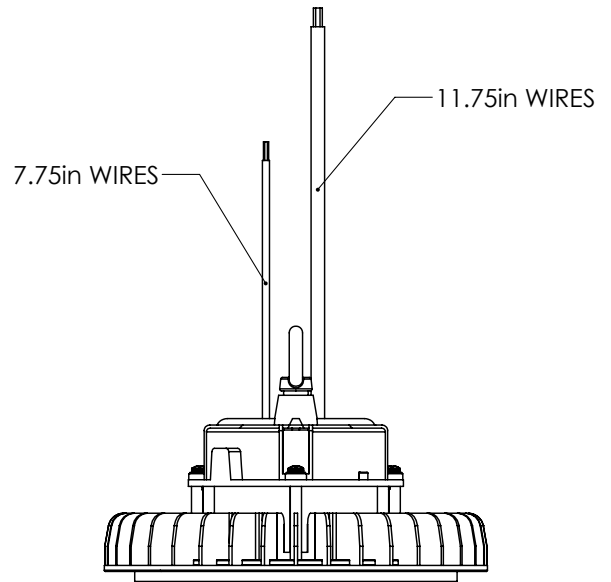
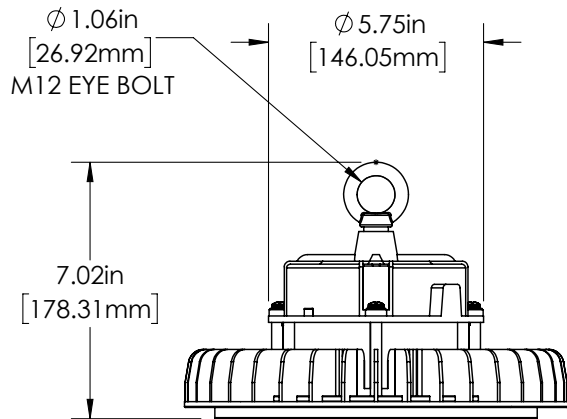


HBUD2 Series

LED UFO High Voltage High Bay Specifications

Dimensional Drawings

HBUD2-50K150HSD-HV

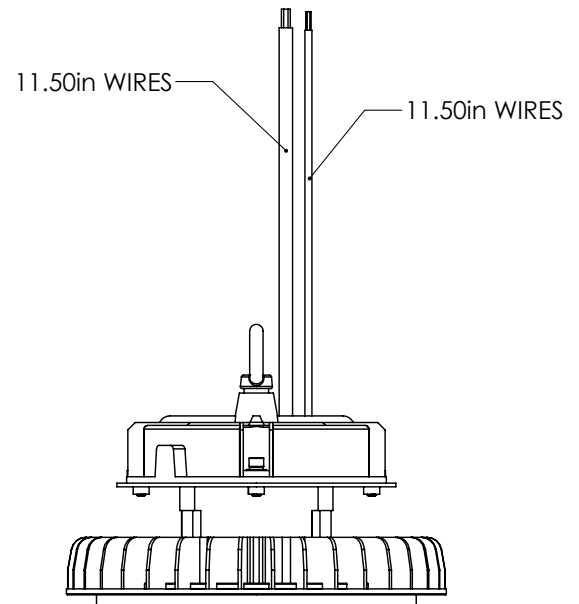
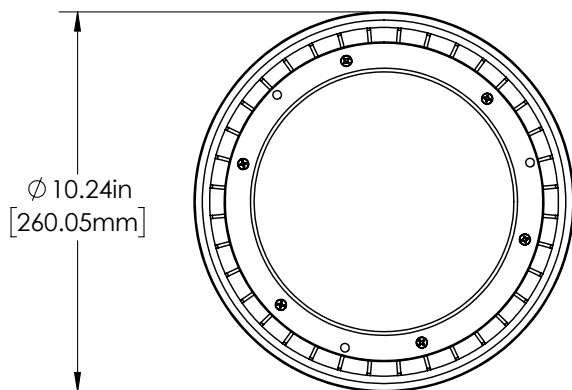
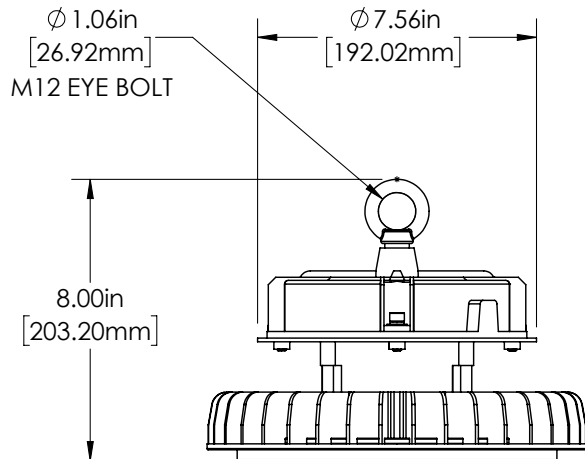


HBUD2 Series

LED UFO High Voltage High Bay Specifications

Dimensional Drawings

HBUD2-50K200HSD-HV

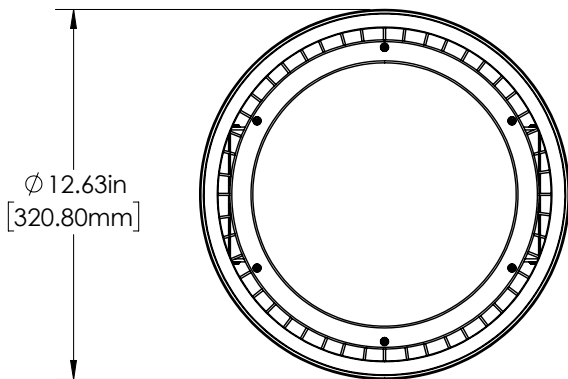
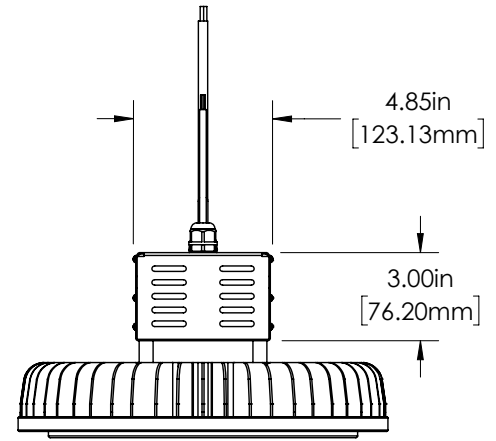
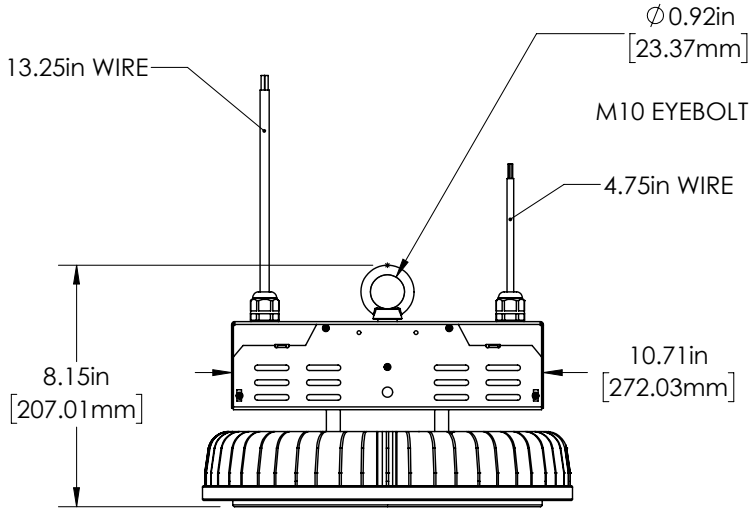


HBUD2 Series

LED UFO High Voltage High Bay Specifications

Dimensional Drawings

HBUD2-50K300HSD-HV



Dimensional Drawings

HBUD2-50K500HSD-HV

