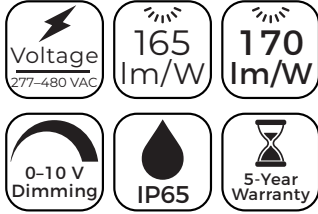


HBUD2 Series

LED UFO High Voltage High Bay Specifications

Project _____

Date _____ Type _____



HBUD2-50K150HSD-HV



Available Models¹

Fixture Only

- HBUD2-50K150HSD-HV
- HBUD2-50K200HSD-HV
- HBUD2-50K300HSD-HV
- HBUD2-50K500HSD-HV

Fixture with Reflector

- HBUD2-50K150HSD-HV-PR
- HBUD2-50K200HSD-HV-PR
- HBUD2-50K300HSD-HV-PR

Part Number Breakdown

Example: HBUD2-50K150HSD-HV-PR

Series	CCT	Wattage	Efficacy	Driver	Dimming	Voltage	Accessory
HBUD2	50K [5000K]	150 [150 W]	H [170 lm/W]	S [Sosen]	D [0-10 V]	HV [277-480 VAC]	blank [none]
		200 [200 W]					PR [PC Reflector]
		300 [300 W]					
		500 [500 W]					

Description

HBUD2 round LED high bays are designed to replace traditional metal halide fixtures. The durable black powder-coated aluminum housing protects the fixture, while the integrated heat sinks provide optimal thermal management. The compatible microwave motion sensor can be used to simplify operation on 277 VAC input voltage.

Mechanical

- Black powder-coated die-cast aluminum housing
- Included eye bolt for suspension mounting
- -22°-122° F (-30°-50° C) operating temperature
- IP65 rated for wet locations

Electrical

- 277-480 VAC input voltage range
- 0-10 V dimmable
- 50,000 hour (L70) rated lifespan

Photometrics

- 165-170 lm/W output
- Available in 5000K at 80+ CRI
- 100-120° beam angle

Warranty

Five (5) year warranty

Optional Accessories (sold separately)

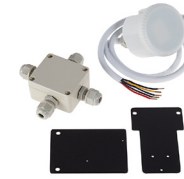
U-Bracket

- HBUD-8-UB (for ≤300 W)

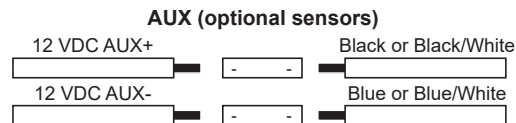
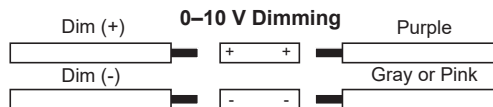
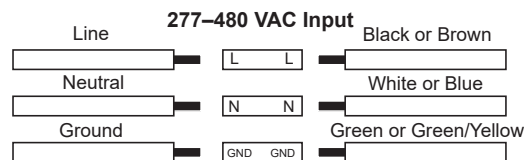


Motion Sensor

- HBUD-MS (277 VAC only)



Wiring Diagram

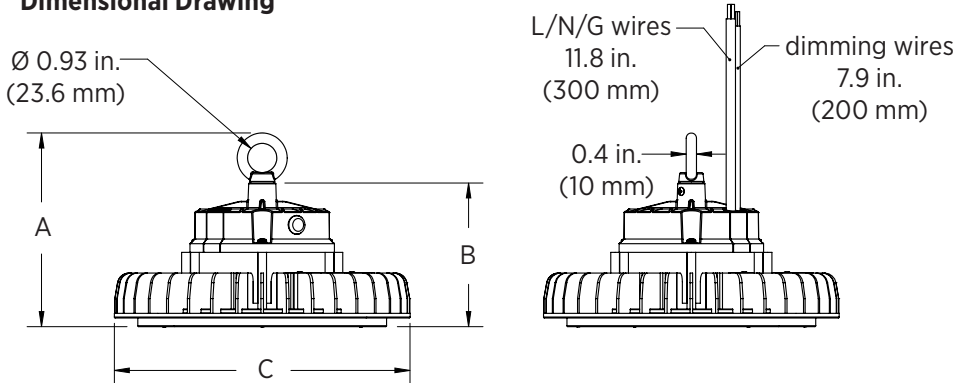


¹Contact customer service if interested in options other than those listed.

HBUD2 Series

LED UFO High Voltage High Bay Specifications

Dimensional Drawing



Application

Easily replaces inefficient metal-halide fixtures such as those found in warehouses, stores, gymnasiums, and other industrial and commercial areas where a high bay lighting solution is required.

Model	A	B	C
HBUD2-50K150HSD-HV	6.75 in. (171 mm)	5.1 in. (129 mm)	10.2 in. (259 mm)
HBUD2-50K200HSD-HV	7.4 in. (187 mm)	5.7 in. (145 mm)	10.2 in. (259 mm)
HBUD2-50K300HSD-HV	9.7 in. (246 mm)	8 in. (203 mm)	12.6 in. (320 mm)
HBUD2-50K500HSD-HV	10.5 in. (266 mm)	8.8 in. (224 mm)	14.8 in. (375 mm)

Specifications

Model	HBUD2-50K150HSD-HV	HBUD2-50K200HSD-HV	HBUD2-50K300HSD-HV	HBUD2-50K500HSD-HV
Intensity	25,500 lm	34,000 lm	49,500 lm	82,500
Operating Voltage	277-480 VAC			
Power Consumption	150 W	200 W	300 W	500 W
Current Draw	542 mA @ 277 VAC 313 mA @ 480 VAC	722 mA @ 277 VAC 417 mA @ 480 VAC	1.08 A @ 277 VAC 625 mA @ 480 VAC	1.81 A @ 277 VAC 1.04 A @ 480 VAC
Efficacy	170 lm/W		165 lm/W	
Color Temperature	5000K			
Beam Angle	100°			
CRI	80+			
Dimming	0-10 V			
Power Factor	≥0.9			
IP Rating	IP65			
Ambient Operating Temperature	-22°-122° F (-30°-50° C)			
Rated Life (L70)	50,000 hours			

Certifications and Compliances

These lights are ETL Listed in compliance with UL 1598 (IFAM).

These are also DesignLights Consortium listed as DLC 5.1 Premium.

