

Stonco

by 

Wall Mount

Wall Pack DualSelect

60W and 100W



Stonco LED Wall Pack DualSelect family features energy saving LED technology ideal for wall mounted applications. The Wall pack DualSelect is available in two sizes to accommodate multiple mounting heights.

Project: _____
 Location: _____
 Cat.No: _____
 Type: _____
 Lamps: _____ Qty: _____
 Notes: _____

Ordering guide

Example: WP60-SCT-G2-10-BZ

Luminaire	Wattage	Generation	Voltage	Finish
WP		SCT-G2	10	BZ
WP Wall Pack	60 28W/40W/60W 100 70W/80W/90W/100W	SCT-G2 CCT Selectable 30K/40K/50K, 80CRI, Integrated Daylight Sensor, Generation 2	10 120-347V	BZ Bronze

Specifications

Housing

Die-cast aluminum housing and lens frame with heat and impact resistant borosilicate glass lens.

IP Rating

LED light engine is weather proof sealed in a luminaire rated IP65.

Electrical

Driver efficiency (>84% at full load). Available in 120-347V.

LED Board and Array

1 or 2 Chip on Board (Mid-power) LEDs. Selectable Color temperature 3000K, 4000K, 5000K. Minimum CRI of 70.

Mounting

Mounts to standard 3-1/2" to 4" round and octagonal or 4 inch square electrical junction boxes. 1/2 NPT threaded conduit access.

Energy Saving Benefits

System efficacy 123lm/W @ 3000K - 128lm/W @ 5000K

Daylight Sensor

	Photocell	Luminaire
Set 1	Disable	On
Set 2 (Default)	Ambient light <10lux, Ambient light >30lux	On Off
Set 3	Ambient light <25lux, Ambient light >50lux	On Off
Set 4	Ambient light <50lux, Ambient light >80lux	On Off

Listings

UL/cUL listed to the UL 1598 standard, suitable for Wet Locations. Suitable for use in ambient from -40° to 40°C (-40° to 104°F).

Product is DesignLights Consortium® qualified.

Finish

Each luminaire receives a powdercoat finish. Standard color is bronze (BZ).

Limited Warranty

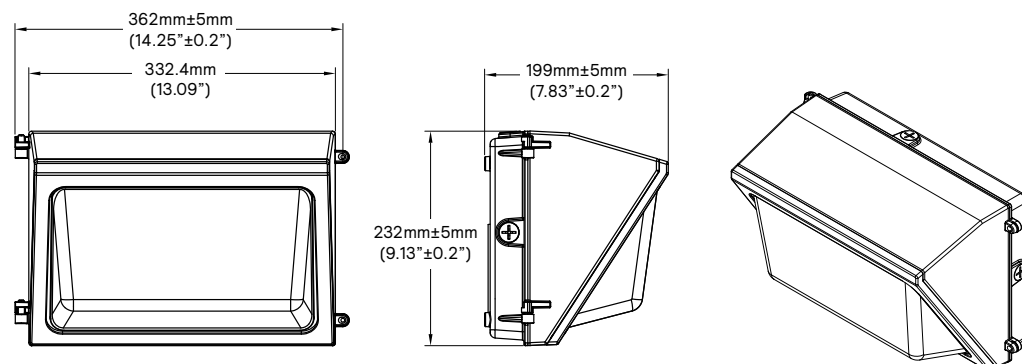
Luminaires are all covered by a 5-year limited warranty. See signify.com/warranties for details.



WP Wall pack DualSelect LED

60W and 100W

Dimensions



Weight

Product	Weight
WP60W	9.2lbs (4.2kg)
WP100W	10.14lbs (4.6kg)

LED Wattage and Lumen Values

Ordering Codes	Total LEDs	System Current (mA)	Color Temp.(K)	Average System Wattage ¹	Lumen Output ^{1,2}	Efficacy (LPW)	Weight (kg)
WP60-SCT-G2-10-BZ	280	230 @ 120V	3000/4000/5000	28	3860/4060/3920	138/145/140	3.7
		330 @ 120V	3000/4000/5000	40	5280/5720/5360	132/143/134	
		500 @ 120V	3000/4000/5000	60	7380/8160/7680	123/136/128	
WP100-SCT-G2-10-BZ	560	583 @ 120V	3000/4000/5000	70	9240/10080/9800	132/144/140	3.9
		667 @ 120V	3000/4000/5000	80	10240/11360/10960	128/142/137	
		750 @ 120V	3000/4000/5000	90	11250/12330/11970	125/137/133	
		835 @ 120V	3000/4000/5000	100	12300/13600/12800	123/136/128	

1. Wattage and lumen output may vary by due to LED manufacturer forward volt specification and ambient temperature. Wattage shown is average for 120V input. Measured wattage may vary due to variation in input voltage..

2. Lumen values based on photometric tests performed in compliance with IESNA LM-79.

NOTE: Contact outdoorlighting.applications@philips.com for details or additional information.

Predicted Lumen Depreciation Data

Predicted performance derived from LED manufacturer's data and engineering design estimates, based on IESNA LM-80 methodology. Actual experience may vary due to field application conditions. L70 is the predicted time when LED performance depreciates to 70% of initial lumen output.

Calculated per IESNA TM21-11. Published L70 hours limited to 6 times actual LED test hours.

Ordering Codes	Ambient Temperature °C	LED Current mA	Driver output current mA	L ₇₀ per TM21 ^{2,3}	Lumen Maintenance @ 60,000 hrs
WP60-SCT-G2-10-BZ	25 °C	43	1300	>54,000 hrs	89.9%
WP100-SCT-G2-10-BZ	25 °C	39	2000	>54,000 hrs	88.7%

1. Predicted performance derived from LED manufacturer's data and engineering design estimates.

2. based on IESNA LM-80 methodology. Actual experience may vary due to field application conditions.

L70 is the predicted time when LED performance depreciates to 70% of initial lumen output.

3. Calculated per IESNA TM 21-11. Published L70 hours limited to 6 times actual LED test hours.

The information presented in this document is not intended as any commercial offer and does not form part of any quotation or contract.

