

Important: Read all instructions prior to installation.

Selectable Wattage and CCT Dusk-to-Dawn Area Light

Safety and Notes

- Product should be installed by a certified electrician in accordance with applicable national, state, and local building and electrical codes.
- To reduce the risk of electric shock, ensure that the main power source and circuit breakers are switched off before performing any installation or wiring procedures.
- Avoid looking directly into the lamp when illuminated.
- Ensure all mounts are securely attached and will support the weight of the fixture. Failure to properly support the fixture may result in damage or injury, for which the manufacturer does not assume responsibility.

Photocell and Shorting Cap

Available bundled with a photocell for automatic dusk-to-dawn operation or a shorting cap for continuous operation.

Specifications

Model	DDAL-R1-SW3BxS
Environmental Rating	IP65
Operating Temperature	-22–113° F (-35°–45° C)

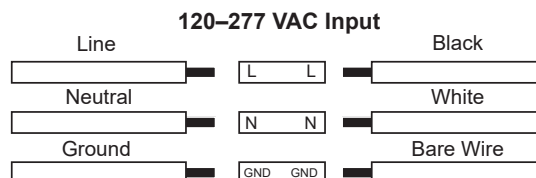
Check product label for specific electrical specifications related to installation.

Improper installation will void warranty.



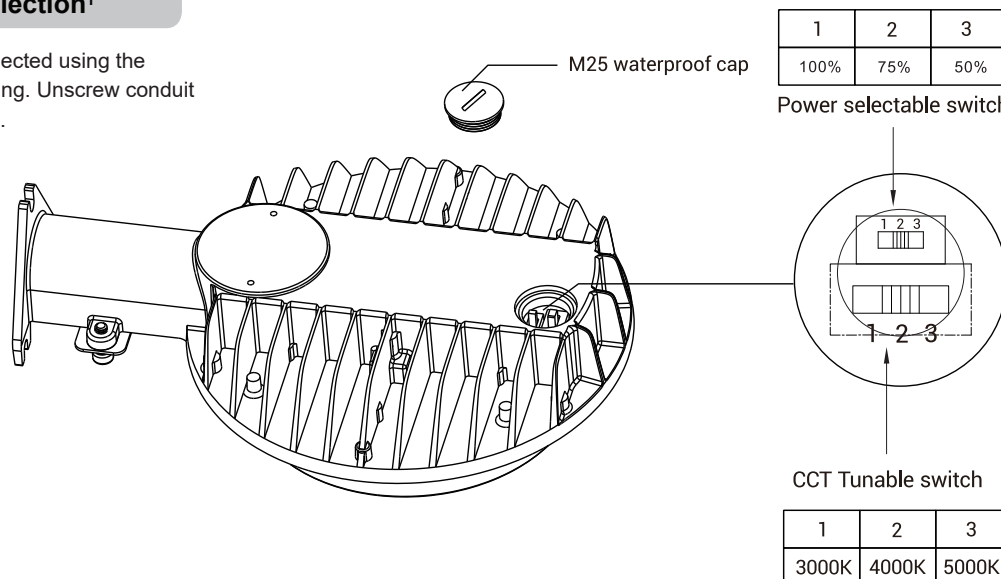
DDAL-R1-SW3B60S

Wiring Diagram



CCT and Wattage Selection¹

CCT and wattage are selected using the switches inside the housing. Unscrew conduit plugs to access switches.

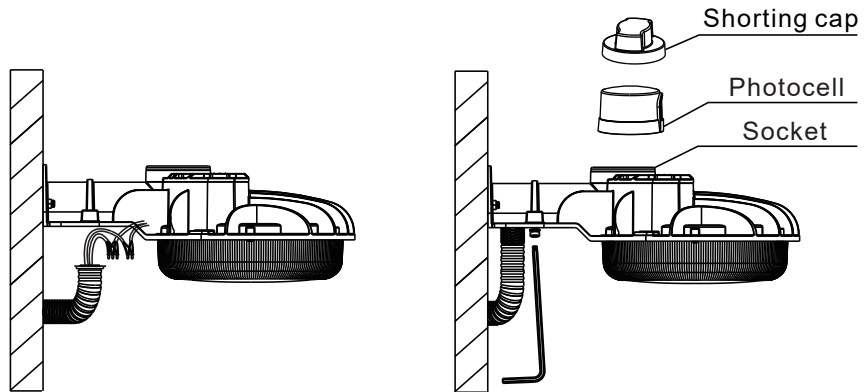
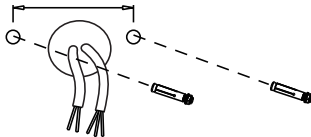


Important: Read all instructions prior to installation.

Selectable Wattage and CCT Dusk-to-Dawn Area Light

Wall Mount Installation

1. Remove supply power.
2. Remove metal plate from mounting arm.
3. Place self-tapping screws into the holes on the mounting bracket or use bracket to pre-drill holes for anchor bolts.
4. Tighten self-tapping screws or anchor bolts to the mounting bracket to secure fixture.
5. Make all electrical connections. Wire should pass through rear or lower portion of mounting arm using conduit.
6. Reattach metal plate to mounting arm.
7. Install photocell or shorting cap based on desired operation.
8. Restore supply power.
9. Remove cap and adjust wattage and CCT to desired value. Replace cap to prevent damage to switch.



Pole Mount Installation

1. Remove supply power.
2. Loosen pole mount bracket plate.
3. Make all electrical connections.
4. Slide light over pole and tighten mount bracket.
Note: Over tightening bracket may result in damage to pole or bracket.
5. Install photocell or shorting cap based on desired operation.
6. Restore supply power.
7. Remove cap and adjust wattage and CCT to desired value. Replace cap to prevent damage to switches.

