

**Important:** Read all instructions prior to installation.

## LED Dock Light

### Safety and Notes

- Product should be installed and serviced in accordance with applicable national, state, and local building and electrical codes.
- Avoid looking directly into lamp when illuminated.
- Ensure all mounts are securely attached and will support the weight of the fixture. Failure to properly support fixture may result in damage or injury, for which the manufacturer does not assume responsibility.
- Light must be connected to GFCI-protected receptacle.

### Specifications

Specifications	LDL-50K60-15SB / LDL-50K60-15SBA
Operating Temperature	-22°–113° F (-30°–45° C)
Environmental Rating	IP65 (excludes electrical connection)

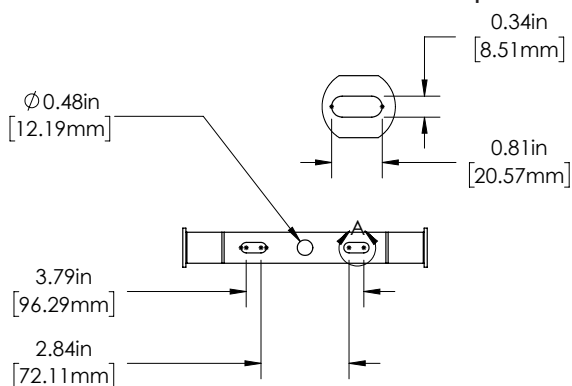
Check product label for specific electrical specifications related to installation.  
Improper installation will void warranty.



LDL-50K60-15SBA

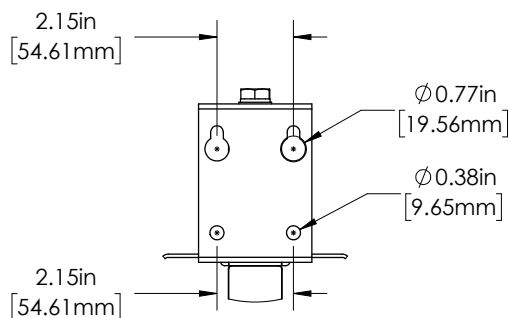
### Installation Instructions (LDL-50K60-15SB)

1. Drill holes as needed and mount bracket to existing arm or structure if needed.
2. Mount bracket to structure and route power cord.



### Installation Instructions (LDL-50K60-15SBA)

1. Drill holes for mounting arm to secure structure.



2. Mount arm to structure and route power cord.
3. Securely attach light to arm. Connect power cord to light.

Note: When installing light head on existing arm/bracket, the power cord will need to be routed to avoid potential damage or hazards.

