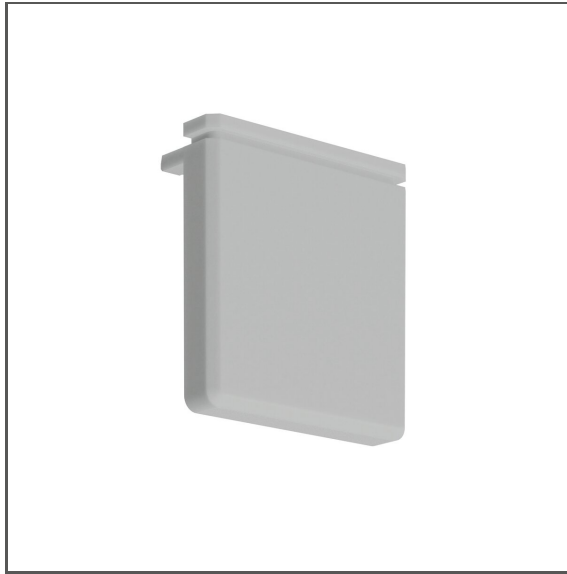


# End cap GIZAT

Ref. C24030C02, C24030L01, C24030C07, C24030C10



- For use with a square cover

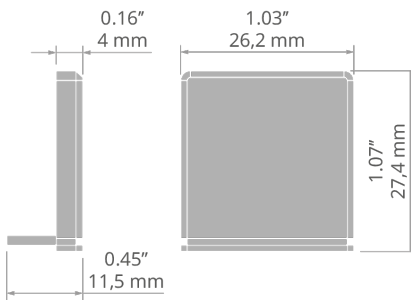
## APPLICATION

- aesthetic finish and protection of the interior of the lighting fixture

## MOUNTING

- to the extrusion, by pressing

## TECHNICAL DRAWING



## TECHNICAL SPECIFICATIONS

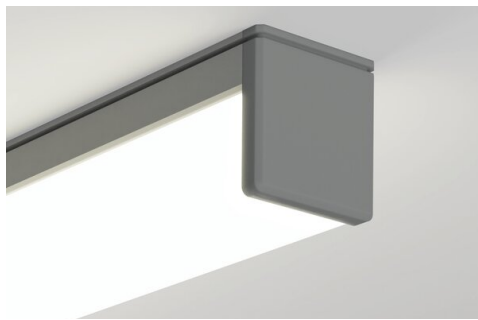
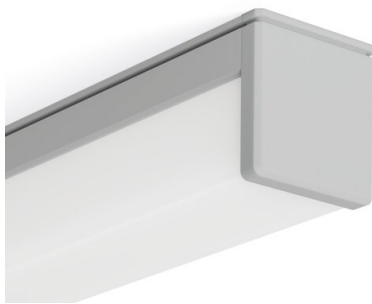
|                                       |             |
|---------------------------------------|-------------|
| Material                              | PP          |
| Shape                                 | rectangular |
| Height                                | 1"          |
| Width                                 | 1"          |
| Corrosion resistance                  | yes         |
| Corrosion resistance at high salinity | yes         |

| Color    | Ref       |
|----------|-----------|
| ■ gray   | C24030C02 |
| ■ silver | C24030L01 |
| □ white  | C24030C10 |
| ■ black  | C24030C07 |

# End cap GIZAT

Ref. C24030C02, C24030L01, C24030C07, C24030C10

## SAMPLE PROJECTS



## RELATED PROFILES > ARCHITECTURAL



**GIZA**  
A05556