



DVMM Series

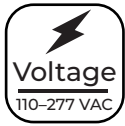
LED Driver Specifications

Project _____

Date _____ Type _____



DVMM-200W-24V-5J



Overview

The DiodeDrive 5-way Universal Dimmable Constant Voltage LED Power Supply is compatible with TRIAC, 0-10V, 1-10V, PWM, and potentiometer dimmers. The output voltage is fine-tunable for device compatibility, optimal performance, and setting LED maximum brightness. A NEMA 4X and IP65 waterproof housing make it ideal for under-cabinet LED strips and suitable for wet locations such as landscape lighting and outdoor signage. Its compact size, eight knockouts, and versatile mounting options (flat or edge, vertical or horizontal) allow for various placement possibilities. Its enclosed junction box features a floating divider for easy input and output pigtail connections, and its snap-in cover speeds installation.

Features

- DiodeDrive Power Supply: Class 2 (60W, 96W); Class P (100W, 200W, 300W)
- Dimmable: TRIAC, 0-10V, 1-10V, PWM, and potentiometer
- NEMA 4X and IP65 waterproof for indoor and outdoor use
- Easy wire clamshell junction box with sliding divider
- Wide 0.1 to 100%, flicker-free dimming range

Product Details

- Black aluminum housing with eight 1/2-inch knockouts
- Protections: short circuit, over temperature, overload, and surge
- Input: 110-277 VAC
- Adjustable output: 12 VDC (9-13V) or 24 VDC (17-25V)
- Output type: PWM, 4000Hz constant frequency
- Multiple mounting options: flat or edge, horizontal or vertical

Available Models¹

- DVMM-60W-12V-5J
- DVMM-100W-12V-5J
- DVMM-60W-24V-5J
- DVMM-200W-24V-5J
- DVMM-96W-24V-5J
- DVMM-300W-24V-5J

Part Number Breakdown

Example: DVMM-200W-24V-5J

Series	Output Wattage	Output Voltage	Features
DVMM [DiodeDrive, Constant Voltage, Metal Enclosed, NEMA 4X]	60W [60 W]	12V [12 VDC]	5J [5-in-1 Dimming, Junction Box]
	100W [100 W]		
	60W [60 W]	24V [24 VDC]	
	96W [96 W]		
	200W [200 W]		
	300W [300 W]		

Applications

- Cove Lighting
- Home Interiors
- Light Bars
- Sign Lighting
- Stage & Theaters
- Toe Kick Lighting
- Strip Lights
- Trade Shows
- Under-Cabinets

Optional Accessories

- 6 ft, 5-15P power cord (_POWERCORD)

Warranty

- 5-year warranty

Certifications and Compliances

- UL Listed - UL 8750 (FKSZ)
- FCC Part 15 Subpart B compliant



T 866.201.2238
 F 314.972.6202
 email: commercialsales@diodedrive.com
 www.diodedrive.com/cat/ac-dc/junction-box

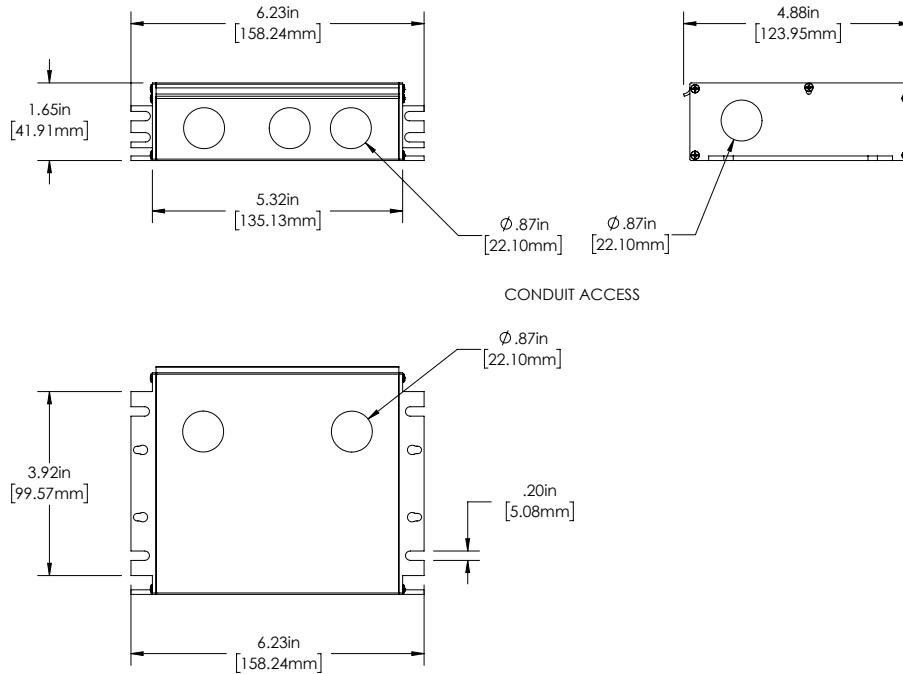
¹Contact customer service for additional options.

DVMM Series

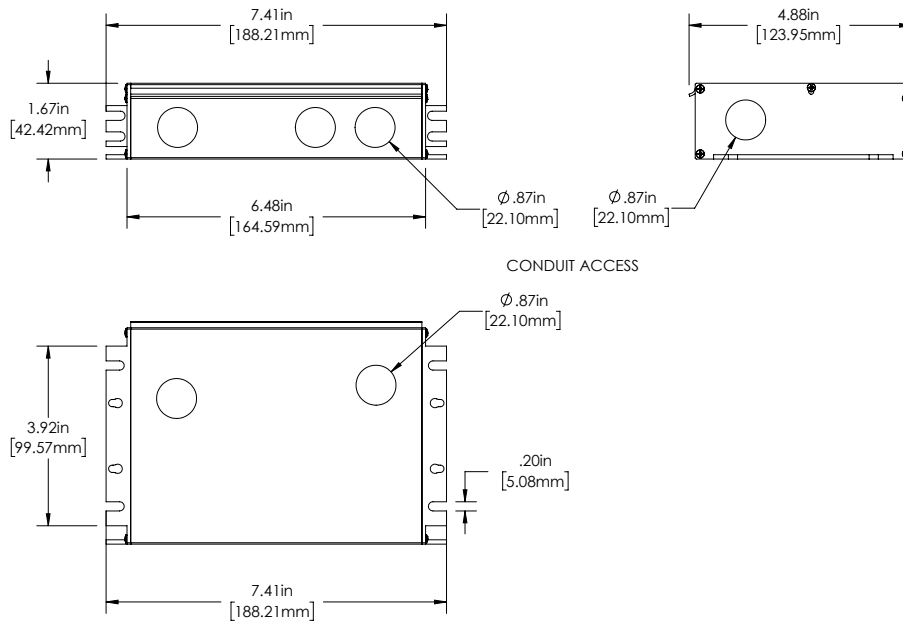
LED Driver Specifications

Dimensional Drawings

DVMM-60W-xV-5J



DVMM-96W-24V-5J/DVMM-100W-12V-5J

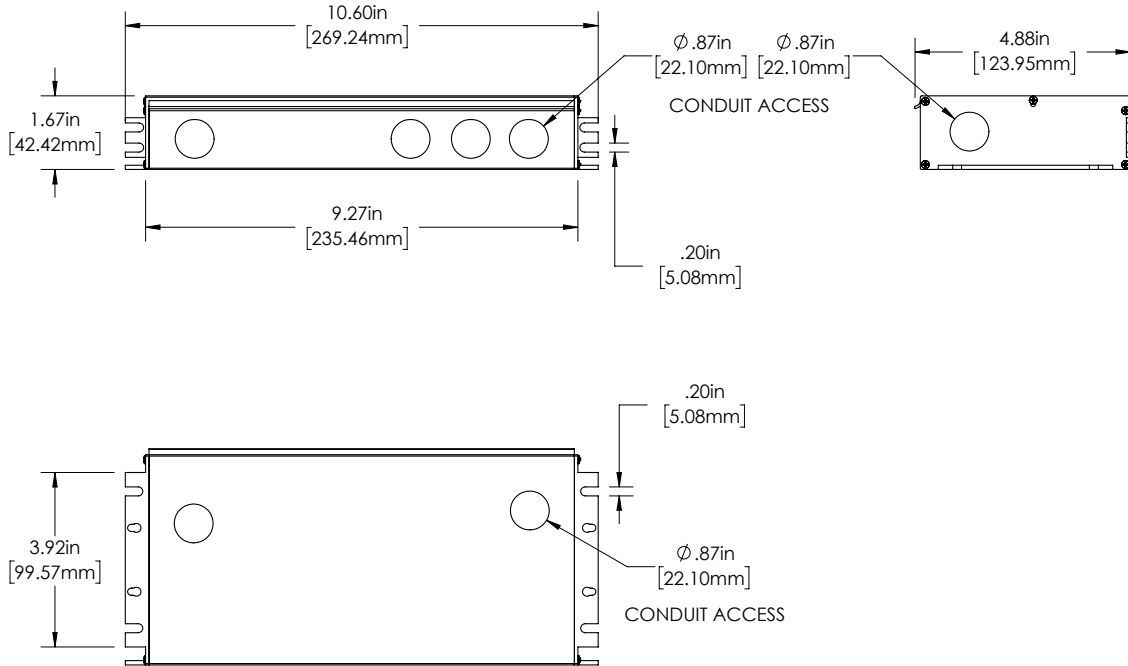


DVMM Series

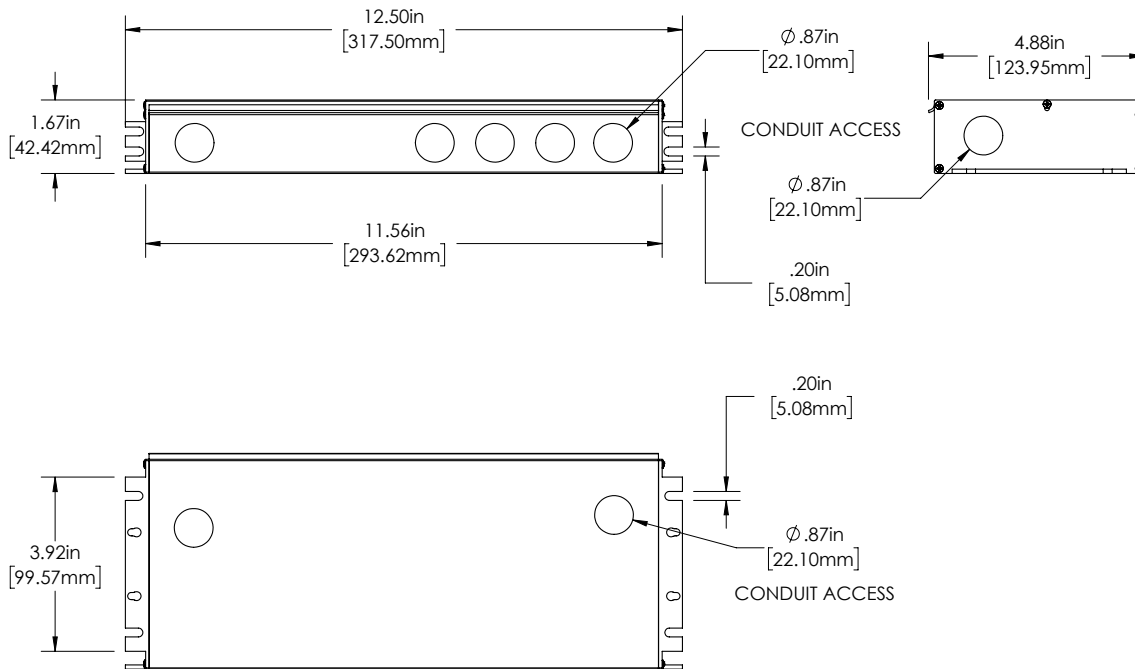
LED Driver Specifications

Dimensional Drawings

DVMM-200W-24V-5J



DVMM-300W-24V-5J





DVMM Series

LED Driver Specifications

Specifications

Model DVMM-	60W-12V-5J	60W-24V-5J	96W-24V-5J	100W-12V-5J	200W-24V-5J	300W-24V-5J
Output Power	60 W	60 W	96 W	100 W	200 W	300 W
Output Current	5 A	2.5 A	4 A	8.33 A	8.33 A	12.5 A
Output Voltage	12V DC	24V DC		12V DC	24V DC	
Output Voltage Range	9-13 VDC	17-25 VDC		9-13 VDC	17-25 VDC	
Certifications and Compliances	Class 2, Class P, UL Listed, FCC			Class P, UL Listed, FCC		

Series	
Input Voltage	110-277 VAC
Input Frequency	47-63 Hz
Power Factor	≥ 0.95
Leakage Current	<0.5mA
Dimming	TRIAC (MLV and ELV), 0-10V, 1-10V, PWM, Potentiometer (resistance)
Protections	Short Circuit, Overload, and Over Temperature
Surge Protection	I/P-O/P: 1.88 kV
Vibration	10-500Hz, 5G 10min./1 cycle, period for 60 min. each along X, Y, Z axes
IP Rating	IP65
NEMA Rating	4X
Environmental Rating	Suitable for Wet Locations, Waterproof
Operating Humidity	20-95% relative humidity, non-condensing
Ambient Operating Temperature	-40°-140° F (-40°-60° C)

