

DVMM-200W-24V-5J



Available Models¹

- | | |
|--|---|
| <input type="checkbox"/> DVMM-60W-12V-5J | <input type="checkbox"/> DVMM-100W-12V-5J |
| <input type="checkbox"/> DVMM-60W-24V-5J | <input type="checkbox"/> DVMM-200W-24V-5J |
| <input type="checkbox"/> DVMM-96W-24V-5J | <input type="checkbox"/> DVMM-300W-24V-5J |

Part Number Breakdown

Example: DVMM-200W-24V-5J

Series	Output Power	Output Voltage	Features
DVMM [DiodeDrive, Constant Voltage, Metal Enclosed, NEMA 4X]	60W [60 W]	12V [12 VDC] or 24V [24 VDC]	5J [5-in-1 Dimming, Junction Box]
	100W [100 W]	12V [12 VDC]	
	96W [96 W]	24V [24 VDC]	
	200W [200 W]		
	300W [300 W]		

Overview

The 5-way Universal Dimmable Constant Voltage Power Supply offers versatile dimming control for flexibility and ease of integration into various projects. The output voltage is fine-tunable for device compatibility, optimal performance, and setting maximum brightness. This NEMA 4X-rated power supply is suitable for wet locations, making it ideal for indoor or outdoor installations. Its compact size, numerous knockouts, and multiple mounting options allow various placements. Its enclosed clamshell junction box has a sliding divider for separate AC and DC connections and a snap-close cover.

Features

- Class 2 (60 W, 96 W); Class P (all wattages)
- Dimmable: TRIAC, 0-10V, 1-10V, PWM, and potentiometer
- NEMA 4X and IP65 waterproof for indoor and outdoor use
- Easy wire clamshell junction box with sliding divider
- Wide 0.1 to 100%, flicker-free dimming range

Product Details

- Black aluminum housing with multiple 1/2-inch knockouts
- Short circuit, overtemperature, overload, and surge protected
- Input: 110-277 VAC
- Adjustable output: 12 VDC (9-13 V) or 24 VDC (17-25 V)
- Output type: PWM, 4000 Hz constant frequency
- Multiple mounting options: flat or edge, horizontal or vertical

Certifications and Compliances

- UL Listed - UL 8750 (FKSZ)
- FCC and SELV compliant



Applications

- | | |
|--------------------|---------------------|
| • Cove Lighting | • Strip Lights |
| • Home Interiors | • Toe Kick Lighting |
| • Light Bars | • Trade Shows |
| • Sign Lighting | • Under-Cabinets |
| • Stage & Theaters | |

Optional Accessories

- 6 ft, 5-15P power cord (POWERCORD)

Warranty

- 5-year warranty





DVMM Series

Junction Box Power Supply Specifications

Specifications

MODEL	DVMM-	60W-12V-5J	60W-24V-5J	96W-24V-5J	100W-12V-5J	200W-24V-5J	300W-24V-5J
OUTPUT							
Output Power		60W	60W	96W	100W	200W	300W
Output Voltage (±0.5V)		12 VDC	24 VDC	24 VDC	12 VDC	24 VDC	24 VDC
Output Voltage Range		9-13 VDC	17-25 VDC	17-25 VDC	17-25 VDC	17-25 VDC	17-25 VDC
Output Current		5000mA	2500mA	4000mA	8330mA	8330mA	12500mA
Voltage Regulation		±0.5%					
Load Regulation		±1%					
Output Channels		1					
INPUT							
Input Voltage		110-277 VAC					
Input Frequency		50/60Hz					
Efficiency (TYP)	@120 VAC	87%	89%	90%	90%	90%	91%
	@277 VAC	88%	90%	91%	91%	91%	92%
AC Current (TYP)		650mA	1020mA	1040mA	2060mA	3020mA	
Inrush Current (TYP)		20A	25A	26A	30A	35A	
Power Factor (TYP)		0.99@120 VAC, 0.98@277 VAC					
Total Harmonic Distortion		THD<15% (@100% load)					
Leakage Current		<0.5mA					
DIMMING							
Dimming Control		TRIAC (MLV and ELV)/0-10V/1-10V/10V PWM/Potentiometer					
Dimming Range		0.1-100%					
Output Type		PWM, 4000Hz constant frequency					
PROTECTIONS							
Short Circuit		Hiccup mode, auto-recovery after fault condition is removed		Shut down O/P voltage, re-power to recover after removing fault condition			
Overtemperature		100°C±10°C shut down O/P voltage auto-recovery after cooling		100°C±10°C Intelligently reduce the output voltage and current auto-recovery after overload is removed			
Overload		Intelligently reduce the output voltage, auto-recovery or re-power to recover					





DVMM Series

Junction Box Power Supply Specifications

Specifications

ENVIRONMENTAL		
IP Rating	IP65	
NEMA Enclosure Type	NEMA 4X	
Environmental Rating	Suitable for Wet Locations, Waterproof	
Working Humidity	20-95% RH, non-condensing	
Ambient Operating Temperature	-40 to 60°C (-40 to 140°F)	
Storage Temp./Humidity	-40 to 90°C (-40 to 194°F), 10-95% RH	
Temperature Coefficient	±0.03%/°C (0 to 50°C)	
Vibration Resistance	10-500Hz, 5G 10min./1 cycle, period for 60 min. each along X, Y, Z axes	
SAFETY		
Standards	UL8750, Class 2, Class P	UL8750, Class P
Withstand Voltage	I /P-O/P: 1.88kVAC	
Isolation Resistance	I /P-O/P: 100MΩ/500VDC/25°C/70% RH	
EMC Emission	FCC Part 15 Subpart B	
MECHANICAL		
Connection Type	Pigtail	
Housing Material	Aluminum	



DVMM Series

Junction Box Power Supply Specifications

Wire Specifications

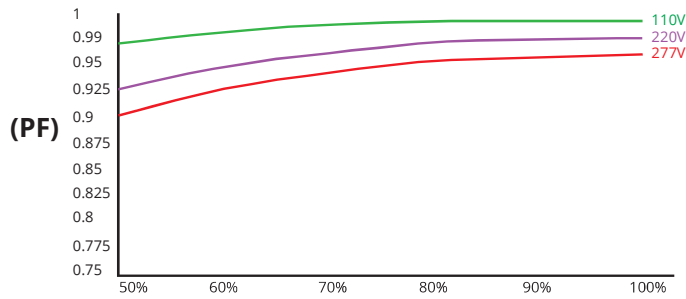
Table 1

DVMM 5J SERIES	INPUT			OUTPUT			0/1-10V DIMMING		
	Function	Color	Gauge	Function	Color	Gauge	Function	Color	Gauge
	AC L	Black	18AWG	DC+	Red	(Table 2)	Dim+	Purple	18AWG
	AC N	White	18AWG	DC-	Black	(Table 2)	Dim-	Pink	18AWG
Ground	Green	18AWG	/	/	/	/	/	/	

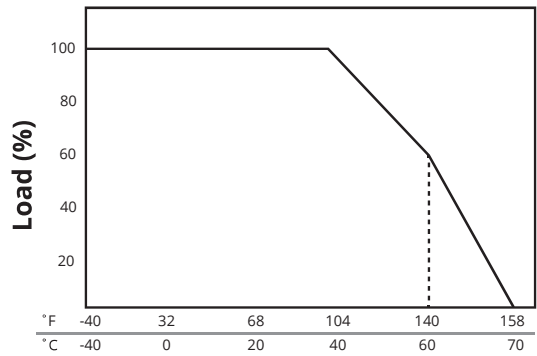
Table 2

Model	DVMM-60W-x-5J	DVMM-96W-24V-5J	DVMM-100W-12V-5J	DVMM-200W-24V-5J	DVMM-300W-24V-5J
Output Wire Gauge	18AWG	16AWG	16AWG	16AWG	14AWG

PFC Load Graph



Load vs Ambient Temperature





DVMM Series

Junction Box Power Supply Specifications

Dimmer Compatibility List

Brand	Model	Dimming Range	Type	Input Voltage
LUTRON	SCL-153PR-WH	0-100%	MLV/TRIAC	120 VAC
	DVCL-153PR-WH	0-100%	MLV/TRIAC	120 VAC
	DVWCL-153PH-LA	0-100%	MLV/TRIAC	120 VAC
	CTCL-153PDH-LA	0-100%	MLV/TRIAC	120 VAC
	DVCL-253P	0-100%	MLV/TRIAC	120 VAC
	TGCL-153PR-WH	5-100%	MLV/TRIAC	120 VAC
	TGCL-153PH-WH	5-100%	MLV/TRIAC	120 VAC
	MACL-153MH-LA	0-100%	MLV/TRIAC	120 VAC
	DVELV-303P	0-100%	ELV	120 VAC
	HQRD-6NA	0-100%	ELV/MLV/TRIAC	120 VAC
	MRF2-6ELV-120-WH	5-100%	ELV	120 VAC
	NTELV-600-WH	6-100%	ELV	120 VAC
	VTELV-600-XXX	6-100%	ELV	120 VAC
	SELV-600-WH	6-100%	ELV	120 VAC
	NTELV-300	7-100%	ELV	120 VAC
	MAELV-600	5-100%	ELV	120 VAC
	MSCELV-600M	5-100%	ELV	120 VAC
	MRF2-6ELV-120	5-100%	ELV	120 VAC
	RRA-6NA	6-100%	ELV	120 VAC
	CL MACL-153MH	8-100%	MLV/TRIAC	120 VAC
	SELV-300P	7-100%	ELV	120 VAC
	MIR-600M	9-100%	MLV/TRIAC	120 VAC
	CT-600PR-IV	5-100%	MLV/TRIAC	120 VAC
	CT-600PR-WH	5-100%	MLV/TRIAC	120 VAC
	CT-103PR-WH	15-100%	MLV/TRIAC	120 VAC
	DV-600PR-BL	8-100%	MLV/TRIAC	120 VAC
	DV-600PR-WH	9-100%	MLV/TRIAC	120 VAC
	TG-600PR-LA	8-100%	MLV/TRIAC	120 VAC
	TG-600PR-IV	8-100%	MLV/TRIAC	120 VAC
	TG-600PR-WH	7-100%	MLV/TRIAC	120 VAC
	S-600PR-WH	10-100%	MLV/TRIAC	120 VAC
	MRF2-6ND-120-AL	8-100%	MLV/TRIAC	120 VAC
	MRF2-6CL-GR	5-100%	MLV/TRIAC	120 VAC
	DZ6HD	5-100%	MLV/TRIAC	120 VAC
PD-6WCL	0-100%	MLV/TRIAC	120 VAC	
PD-5NE-WH	0-100%	MLV/TRIAC	120 VAC	



DVMM Series

Junction Box Power Supply Specifications

Dimmer Compatibility List

Brand	Model	Dimming Range	Type	Input Voltage
LUTRON	DVLV-600P	5-100%	MLV/TRIAC	120 VAC
	DVCL-153P-WH	0-100%	MLV/TRIAC	120 VAC
	MA-PRO	0-100%	MLV/TRIAC	120 VAC
	TG-10PR-WH	8-100%	MLV/TRIAC	120 VAC
	DVSTV-453P	0-100%	0-10V	120-277 VAC
	0-10V DDTV	0-100%	0-10V	120 VAC
LEVITON	Model IPE04	8-100%	ELV	120 VAC
	Model VPE06	5-100%	ELV	120 VAC
	Model VPE04	5-100%	ELV	120 VAC
	VPE06	6-100%	ELV	120 VAC
	VPI06-1LZ	8-100%	MLV/TRIAC	120 VAC
	TTI06-1LZ	9-100%	MLV/TRIAC	120 VAC
	Model IPL06	6-100%	MLV/TRIAC	120 VAC
	DZ6HD	6-100%	MLV/TRIAC	120 VAC
	Model 6674	6-100%	MLV/TRIAC	120 VAC
	Model 6672	10-100%	MLV/TRIAC	120 VAC
	TBL03	8-100%	MLV/TRIAC	120 VAC
	Model 6602	6-100%	MLV/TRIAC	120 VAC
	Model 6683	5-100%	MLV/TRIAC	120 VAC
	IP710	0-100%	0-10V	120 VAC
	DS710	0-100%	0-10V	120 VAC
	DD710	0-100%	0-10V	120 VAC
LEGRAND	RHCL453PNICCV6	5-100%	MLV/TRIAC	120 VAC
	WSCL450TCCCV4	8-100%	MLV/TRIAC	120 VAC
	LSCL453PLACCV4	6-100%	MLV/TRIAC	120 VAC
CRESTRON	SELV-300P	5-100%	ELV	120 VAC
	CLS-EXP-DIMU	7-100%	ELV/MLV/TRIAC	120-277 VAC
	DIN-1DIMU4	5-100%	ELV/MLV/TRIAC	120-277 VAC
	CLX-1DELV4	8-100%	ELV	120 VAC
	CLW-DELVEX-E	6-100%	ELV	120 VAC
	CLW-DELVEX-P	5-100%	ELV	120 VAC
	CLW-DELVEX-P-W-S	6-100%	ELV	120 VAC
	CLX-2DIMFLV8	0-100%	0-10V 100 mA	120 VAC
	DIN-4DIMFLV4	0-100%	0-10V 60 mA	120-277 VAC
	CLS-EXP-DIMFLV	0-100%	0-10V 70 mA	120-277 VAC
	GLX-DIMFLV8	0-100%	0-10V 60 mA	120-277 VAC

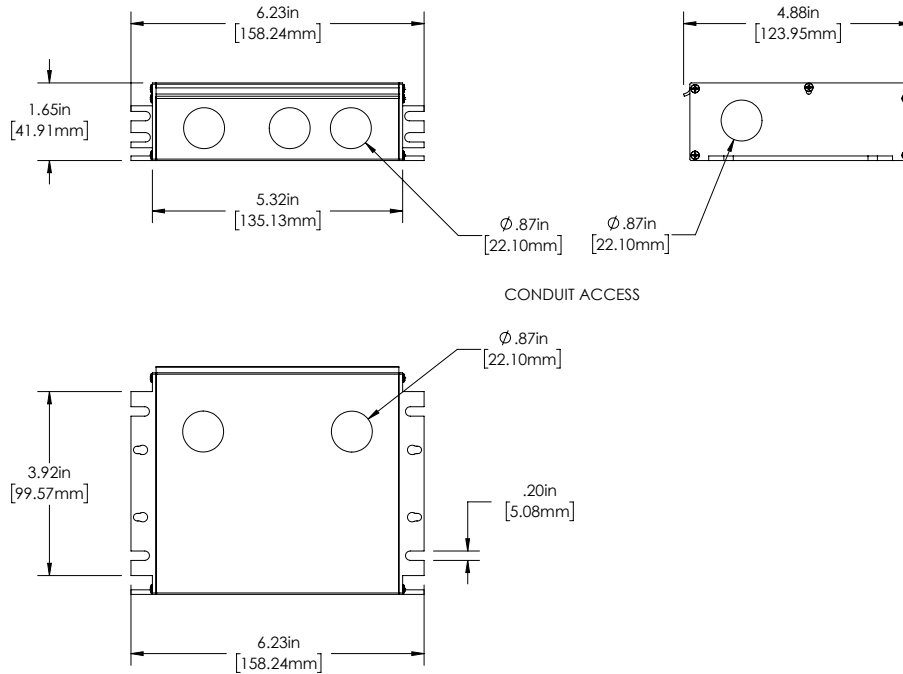


DVMM Series

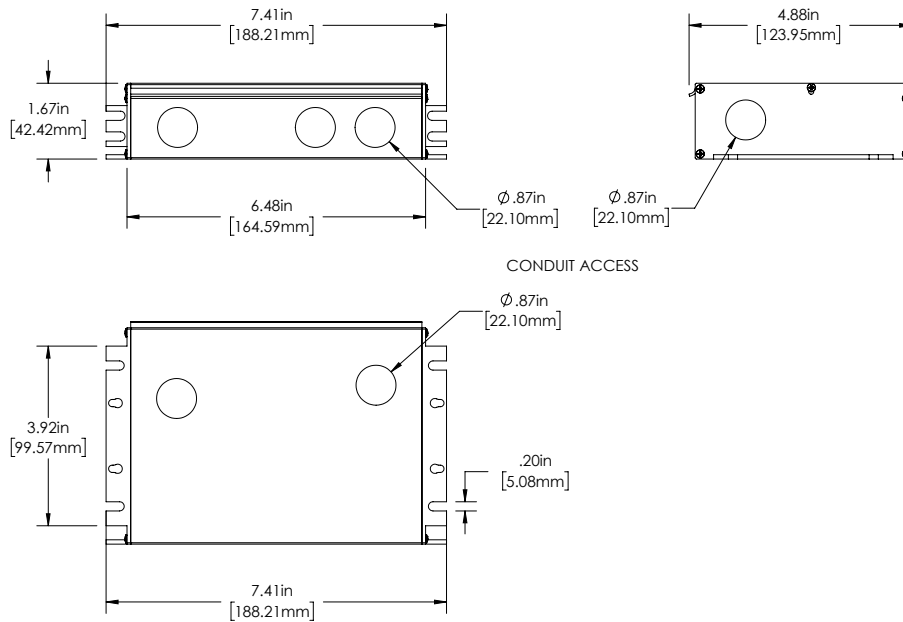
Junction Box Power Supply Specifications

Dimensional Drawings

DVMM-60W-xV-5J



DVMM-96W-24V-5J/DVMM-100W-12V-5J

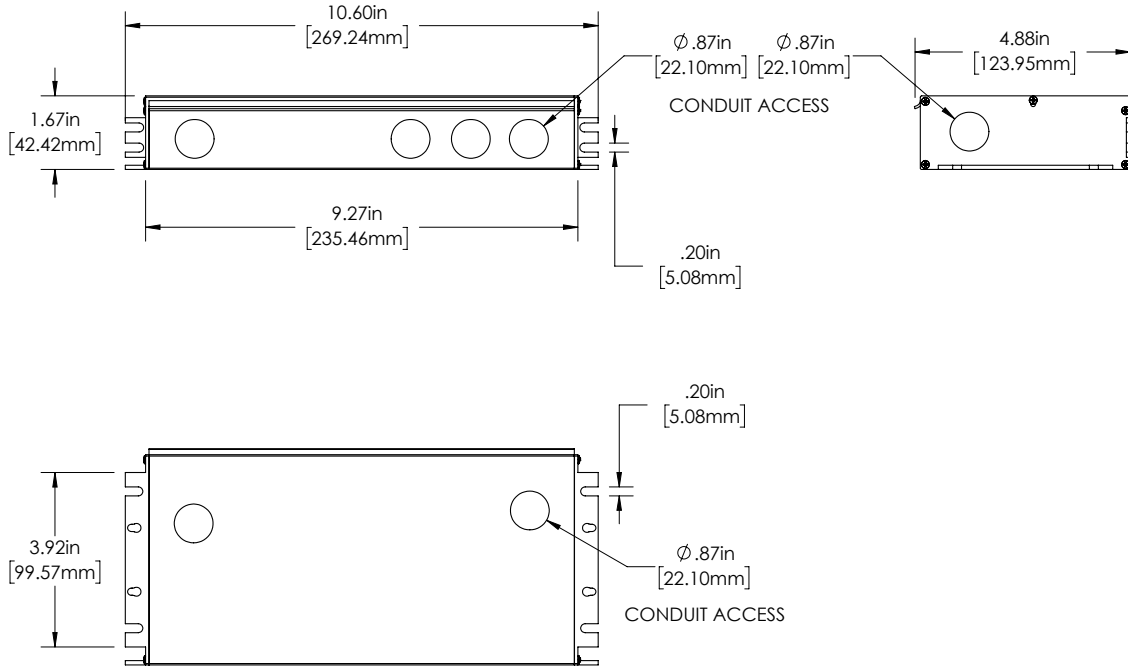


DVMM Series

Junction Box Power Supply Specifications

Dimensional Drawings

DVMM-200W-24V-5J



DVMM-300W-24V-5J

