

## RLGR Series

Low-glare Recessed LED Downlight Specifications

Project \_\_\_\_\_

Date \_\_\_\_\_ Type \_\_\_\_\_



### Available Models<sup>1</sup>

- RLGR-SW5A9

### Part Number Breakdown

Example: RLGR-SW5A9

Series	Selectable CCT	Wattage
<b>RLGR</b> [Recessed Low-Glare Downlight, Round]	<b>SW5A</b> [2700K, 3000K, 3500K, 4000K, 5000K]	<b>9</b> [9 watts]

### Overview

The 9W LED Recessed Downlight features a deep-set reflector that reduces glare and blocks direct view of the light source, providing focused, low-glare output. An independent junction box with fixture quick-connect and pigtail wire input connection simplifies installation and protects electrical connections. Spring clips enable direct installation into drywall and drop ceilings with a cutout diameter of 2.6 inches, and a separate junction box streamlines wiring. Use the switch to adjust color temperature (2700K, 3000K, 3500K, 4000K, or 5000K), allowing customization without replacing the fixture. It installs directly into the ceiling without a recessed can and is IC-rated for contact with insulation. The 2" size offers a clean, discreet appearance suitable for residential and commercial spaces.

### Features

- Recessed reflector design reduces glare and eye strain
- Field Selectable CCT: 2700K, 3000K, 3500K, 4000K, 5000K
- 90+ High CRI for accurate color rendering
- TRIAC Dimmable (5-100%)

### Product Details

- White die-cast aluminum housing
- Steel junction box
- Suitable for damp locations
- 120 VAC
- IC-Rated

### Certifications and Compliances

- ETL Listed - UL 1598



### Applications

- Basements
- Bathrooms
- Closets
- Hallways
- Hospitality
- Kitchens
- Living Rooms
- Offices
- Retail Applications

### Warranty

- 5-year warranty



<sup>1</sup> Contact customer service for additional options.

## RLGR Series

Low-glare Recessed LED Downlight Specifications

<b>SPECIFICATIONS</b>	
<b>Model</b>	<b>RLGR-SW5A9</b>
<b>PHOTOMETRIC</b>	
Lumens	650 Lumens
CCT	Selectable CCT (2700K, 3000K, 3500K, 4000K, or 5000K)
Beam Angle	36°
Efficacy	72 lm/W
CRI	90+
<b>ELECTRICAL</b>	
Operating Voltage	120 VAC
Wattage	9 Watts
Current Draw	80mA
Power Factor	>0.9
Dimmer Type	TRIAC
<b>MECHANICAL</b>	
LED Type	COB
Rated Life (L70)	36000 hours
Finish	White
Product Materials	Aluminum Housing, Steel Junction Box
<b>ENVIRONMENTAL</b>	
IC Rated	Yes
Environmental Rating	Suitable For Damp Locations
Ambient Operating Temperature	-20 to 40°C (-4 to 104°F)

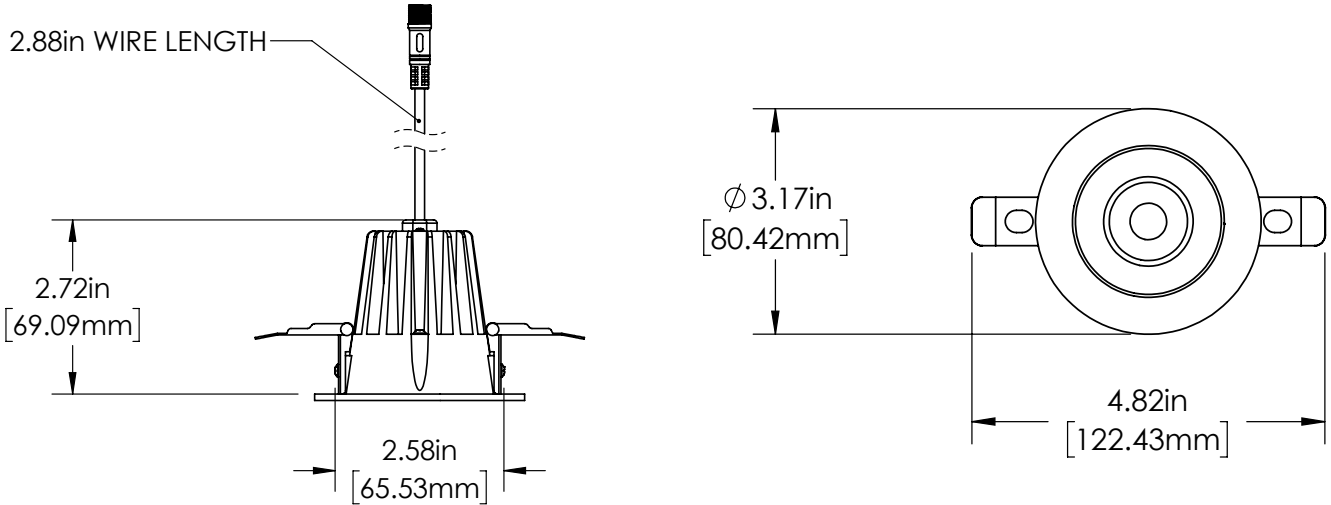


## RLGR Series

### Low-glare Recessed LED Downlight Specifications

#### Dimensional Drawings

##### Light Fixture



##### Driver Box

