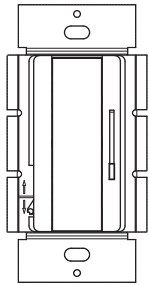


Important: Read all instructions prior to installation.

LED Dimmer - Single Pole or Three Way

Incandescent / Halogen 600W Dimmer

Rated at 120VAC, 60Hz, 150W Dimmable CFL & Dimmable LED



DND type

Important Notes Please read before installing

- CAUTION:** Use only with 120V incandescent/halogen, CFL, or LED light fixtures.
- Turn off power at circuit breaker or fuse before wiring.
- Only 3-way switch can be used with 3-way dimmer.
- Use **copper** wire only.
- For supply connection, use wires rated for at least 90° C.

Dimming Range Adjustment

- Turn dimmer on and move slider down to the bottom.
- Turn knob down until lowest light level is achieved and light output is stable for all bulbs.
- Turn dimmer off, then back on to verify bulbs.
- Turn knob up lightly and do step 3 again if all bulbs do not turn on.
- Once all bulbs are dimming properly, install faceplate.

A. DND type:

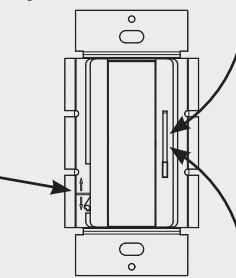
Sensitivity knob

Turn up:
Brighter.



Turn down:
Less bright.

Slider: Controls light level.
Up increases light level, down decreases light level.

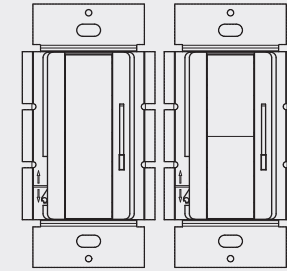


Switch: Turns lights ON and OFF

IMPORTANT: Set slider to bottom before adjusting dimming range. When the slider is at the top, the sensitivity dial will be out of operation.

Multigang Installations

In multi-dimmer installations, the capacity of dimmer is different. Refer to the below chart.



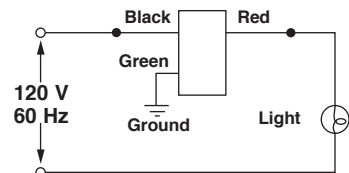
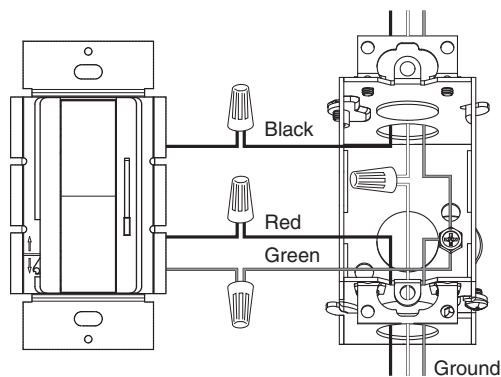
Each Control Has Inside
Sections Removed

Only INCANDESCENT Dimmer Rating:

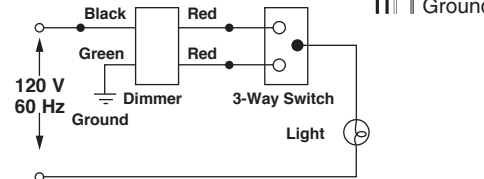
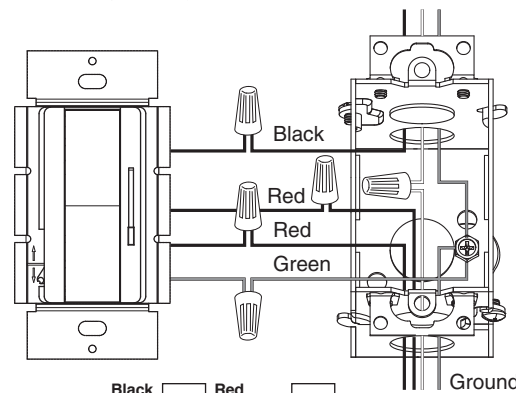
Cat. No.	Single-Gang Rating	Double-Gang Rating	Triple-Gang Rating
Slide/Decorator	700 W	600 W, 600 W	500 W, 500 W, 500 W

Installation

- Turn power OFF.
 - Wiring the Dimmer.
- ### Single-pole Wiring

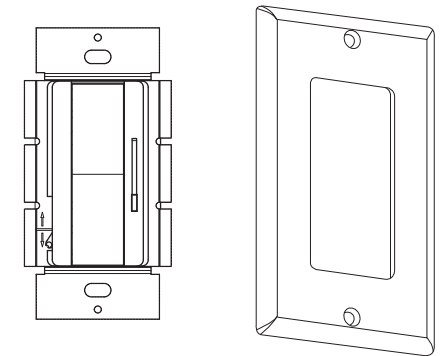


3-Way Wiring



3. Mounting dimmer to wallbox.

Push wires carefully into the wallbox, install wallplate.



4. Turn power ON.