

Available Models¹

- | | | |
|---|---|---|
| <u>3000K</u> | <u>4000K</u> | <u>5000K</u> |
| <input type="checkbox"/> EGLB-30K12-12V | <input type="checkbox"/> EGLB-40K12-12V | <input type="checkbox"/> EGLB-50K12-12V |
| <input type="checkbox"/> EGLB-30K18-12V | <input type="checkbox"/> EGLB-40K18-12V | <input type="checkbox"/> EGLB-50K18-12V |
| <input type="checkbox"/> EGLB-30K24-12V | <input type="checkbox"/> EGLB-40K24-12V | <input type="checkbox"/> EGLB-50K24-12V |
| <input type="checkbox"/> EGLB-30K39-12V | <input type="checkbox"/> EGLB-40K39-12V | <input type="checkbox"/> EGLB-50K39-12V |

Part Number Breakdown

Example: EGLB-40K24-12V

Series	CCT	Length	Operating Voltage
EGLB	30K [3000K]	12 [12 in.]	12V [12 VDC]
	40K [4000K]	18 [18 in.]	
	or	24 [24 in.]	
	50K [5000K]	39 [39 in.]	

Description

LuxBar Linear LED Light Bars are a versatile solution for automotive and indoor lighting applications, delivering even illumination without visible hot spots. High CRI is ideal for environments that rely on accurate color rendering and striking visual displays. Each extruded aluminum light bar has screw mounting tabs on both ends and is equipped with a plug-and-play DC barrel connector. These fixtures have a 12 VDC operating voltage compatible with vehicle electrical systems.

Application

Ideal for various indoor accent lighting applications, including cabinet interiors, under-cabinet lighting, retail displays, interior vehicle lighting, bookshelf lighting, footwell lights, and trunk or cargo area lights.

Certifications and Compliances

- CE compliant



Warranty

- Five (5) Year Warranty

Mechanical

- Black anodized aluminum housing
- Frosted polycarbonate lens
- IP20, suitable for damp locations
- Rated life (L70) of 35,000 hours
- DC 5.5 mm x 2.1 mm barrel connector (female)

Electrical

- 12 VDC input
- PWM dimmable

Photometrics

- 3000K, 4000K, or 5000K CCT
- 90+ CRI
- Up to 135 lm/ft
- 120° beam angle

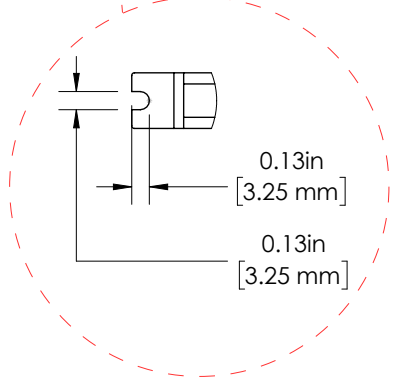
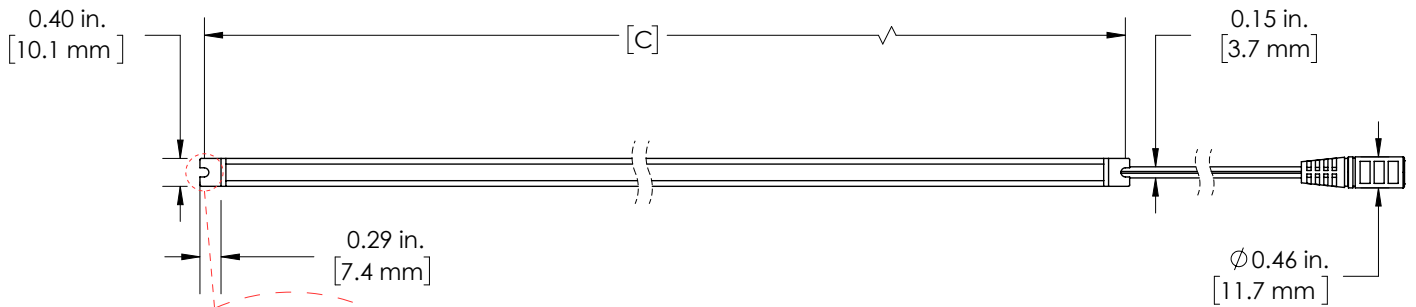
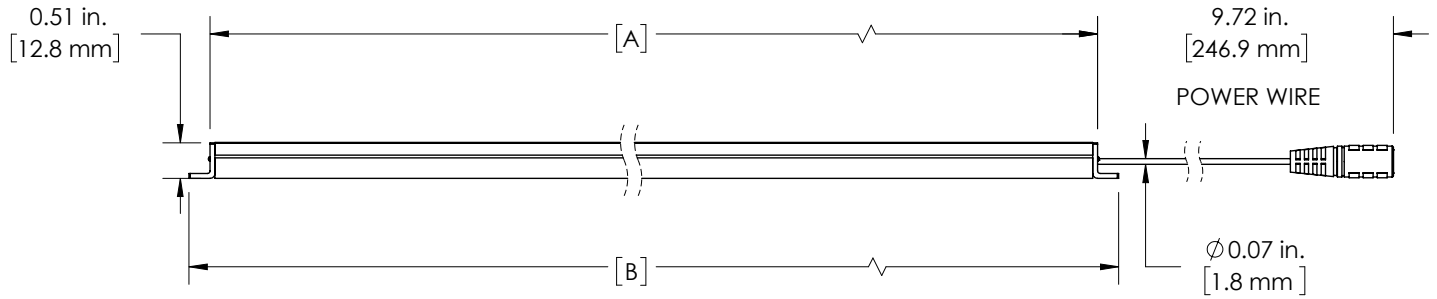


¹Contact customer service if interested in options other than those listed.

EGLB Series

Linkable Surface Mount LED Light Bar Specifications

Dimensional Drawings



Dimension	A	B	C
EGLB-x12-12V	12.2 in. (310 mm)	12.8 in. (325 mm)	12.6 in. (321 mm)
EGLB-x18-12V	18.2 in. (462 mm)	18.8 in. (478 mm)	18.6 in. (473 mm)
EGLB-x24-12V	24.2 in. (614 mm)	24.8 in. (630 mm)	24.6 in. (626 mm)
EGLB-x39-12V	39.2 in. (995 mm)	39.8 in. (1011 mm)	39.6 in. (1007 mm)



EGLB Series

Linkable Surface Mount LED Light Bar Specifications

Specifications

12 in. Length

Model EGLB-	30K12-12V	40K12-12V	50K12-12V
CCT	3000K	4000K	5000K
Brightness	130 lm	135 lm	135 lm
Current Draw	290 mA		
Power Consumption	3.5 W		
Light Length	12 in. (1 ft)		

18 in. Length

Model EGLB-	30K18-12V	40K18-12V	50K18-12V
CCT	3000K	4000K	5000K
Brightness	190 lm	200 lm	205 lm
Current Draw	420 mA		
Power Consumption	5 W		
Light Length	18 in. (1.5 ft)		

24 in. Length

Model EGLB-	30K24-12V	40K24-12V	50K24-12V
CCT	3000K	4000K	5000K
Brightness	250 lm		270 lm
Current Draw	540 mA		
Power Consumption	6.5 W		
Light Length	24 in. (2 ft)		

39 in. Length

Model EGLB-	30K39-12V	40K39-12V	50K39-12V
CCT	3000K	4000K	5000K
Brightness	390 lm	400 lm	405 lm
Current Draw	790 mA		
Power Consumption	9.5 W		
Light Length	39 in. (3.25 ft)		

Series	
Operating Voltage	12 VDC
CRI	90+
Beam Angle	120°
Dimming Type	Pulse Width Modulation (PWM)
IP Rating	IP20
Environmental Rating	Suitable for damp locations
Input Connection Type	5.5 mm x 2.1 mm DC Barrel
Rated Life (L70)	35,000 hours
Ambient Operating Temperature	-4-104° F (-20-40° C)

