

Important: Read all instructions prior to installation.

Selectable CCT and Wattage Retrofit Corn Bulb

Safety and Notes

- This product should be installed and serviced in accordance with applicable national, state, and local building and electrical codes.
- Remove power from circuit prior to installation. To reduce the risk of electric shock, ensure that the main power source and circuit breakers are switched off before performing any installation or wiring procedures.
- Ballast bypass required. Bypass ballast, capacitor, and ignitor prior to corn light bulb installation.
- Do not touch corn light bulb when in use or stare directly at corn light bulb when in use.
- Be sure fixture socket can support weight of LED corn light bulb. Added weight of the device may cause instability of a free standing portable luminaire.
- **WARNING**—Risk of fire or electric shock. LED Retrofit Kit installation requires knowledge of luminaries electrical systems. If not qualified, do not attempt installation. Contact a qualified electrician.
- **WARNING**—Risk of fire or electric shock. Install this kit only in the luminaires that have the construction features and dimensions shown in the photographs and/or drawings and where the input rating of the retrofit kit does not exceed the input rating of the luminaire.
- **WARNING** – To prevent wiring damage or abrasion, do not expose wiring to edges of sheet metal or other sharp objects.
- Do not make or alter any open holes in an enclosure of wiring or electrical components during kit installation.
- The retrofit kit is accepted as a component of a luminaire where the suitability of the combination shall be determined by authorities having jurisdiction.
- Suitable for damp locations.
- This device is not intended for use with emergency exits or emergency lighting.
- Minimum lamp compartment dimensions are 18.5 in. x 15 in. x 15 in. (470 mm x 380 mm x 380 mm).



Specifications

Model	CLCCT2 Series
IP Rating	IP64
Operating Temperature	-40°–122° F (-40°–50° C)

Check product label for specific electrical specifications related to installation.
Improper installation will void warranty.

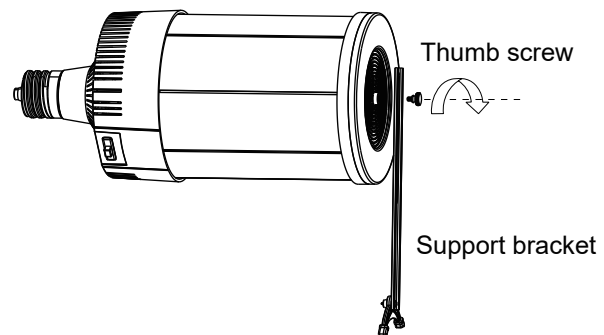
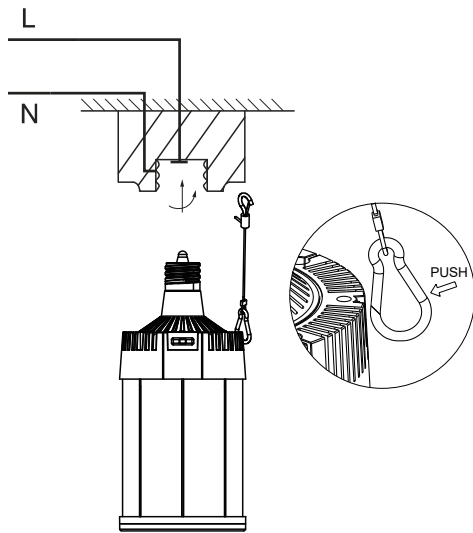
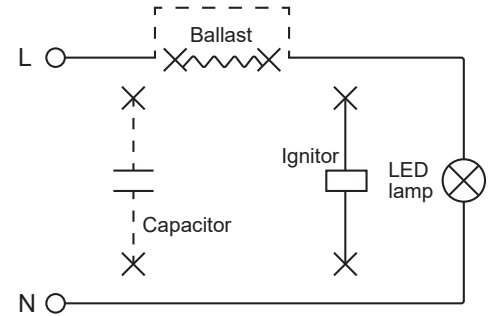


Important: Read all instructions prior to installation.

Selectable CCT and Wattage Retrofit Corn Bulb

Installation

1. Remove power from supply circuit, then remove existing bulb.
2. Bypass existing ballast (as well as any igniter or capacitor), making sure to properly cap any loose wires.
Note: Place retrofit label on fixture when ballast is bypassed during installation.
3. Select CCT and wattage on bulb.
4. Thread bulb into socket, then attach safety cable and support bracket.
5. Restore supply power.



CCT and Wattage Selection

CCT and wattage can be set using the switches on the sides of the bulb.

