

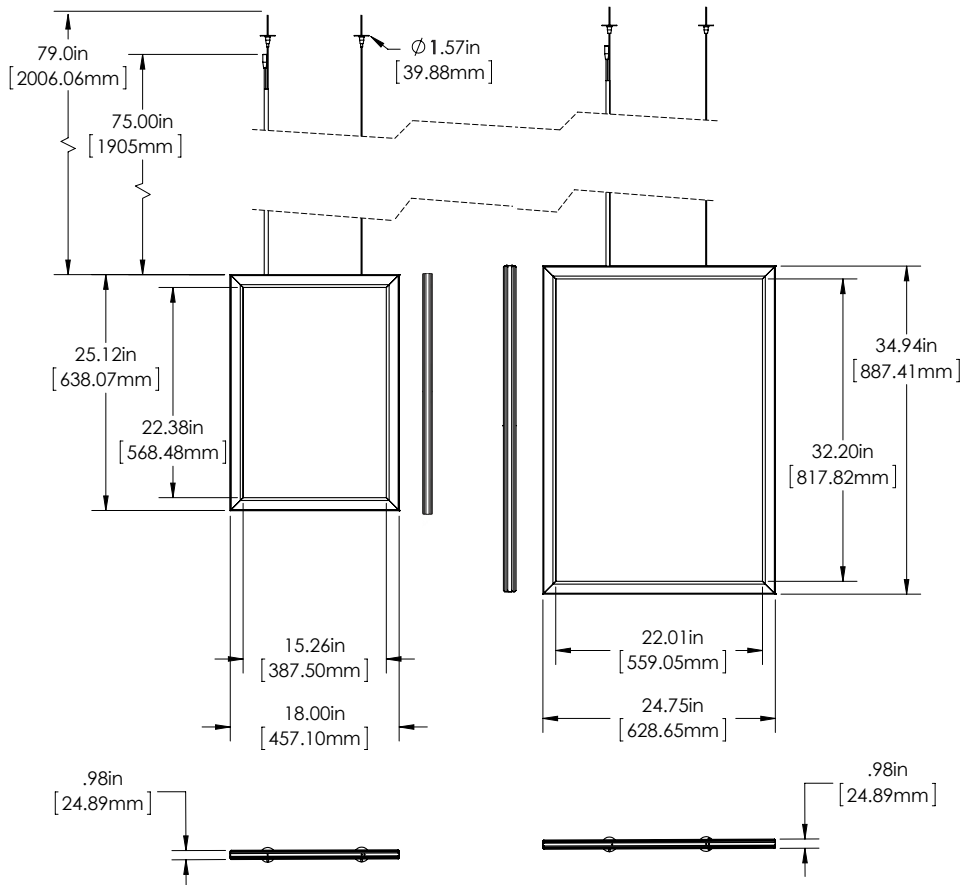
Important: Read all instructions prior to installation.

Double-sided Hanging LED Panel Light

Dimensional Diagram

LBDH-1723-S

LBDH-2233-S



Double-Sided Hanging LED Panel Light

LBDH Series User Manual



*Important: Read all instructions prior to installation.*

**Double-sided Hanging LED Panel Light**

**Included Parts**

- 1 - LED Panel Ceiling Light
- 2 - Mounting Grip-Lock Bracket
- 1 - 120 VAC Wall Adapter

**Safety Information**

- Ensure all mounts are securely attached and will support the weight of the fixture. Failure to properly support the fixture may result in damage or injury, for which the manufacturer does not assume responsibility.

**Framing Dimensions**

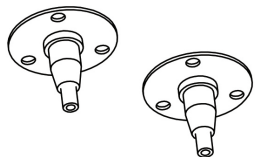
	Viewing size	Film Size
LBDH-1723-S	15.125" x 22.4375" (384.2mm x 569.9mm)	16.375" x 23.5" (415.9mm x 596.9mm)
LBDH-2233-S	22.0625" x 32.1875" (560.4mm x 817.6mm)	23.25" x 33.5" (590.5mm x 850.9mm)

**Electrical**

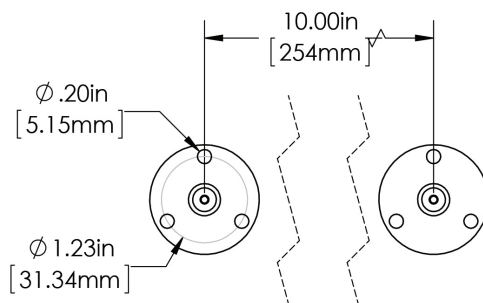
- Unit comes with a CPS connector attached to the LED fixture.
- 12 VDC (100–240 VAC with adapter/power supply)

**Installation Instructions**

LOCATE THE TWO HANGING FLANGES

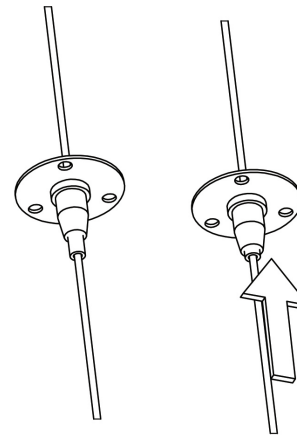


MARK CABLE DRILL LOCATION 10" APART

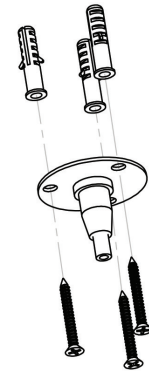


**Installation Instructions (continued)**

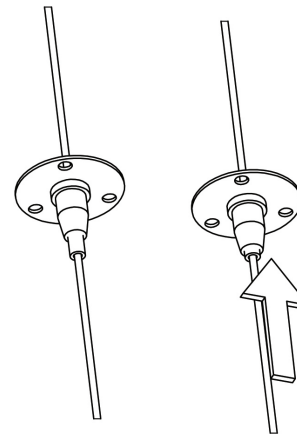
PRESS CABLE LOCK TO ADJUST HEIGHT



DRILL 6 ANCHOR HOLES AND INSTALL FLANGE



PRESS CABLE LOCK TO ADJUST HEIGHT



ADJUST UNTIL LEVEL

