

Available Models¹

- LVC-40V24-3A

Description

This DC-to-DC voltage converter allows you to use lights ranging from 5-24 volts with your vehicle's 12V, 24V, or 36 VDC system (8-40V). The waterproof converter is rated for 3 amps (15W) and is constructed of durable die cast aluminum with 5" wire leads. Easily adjust output voltage, and surface mount the converter with screw holes on both ends. Use this power reducer for commercial, industrial, or military vehicles as well as forklifts, tow tractors, golf carts, and more.

Features

- Steps down power from 8-40V to 5-24V
- Rated for 3 amps (15W)
- Adjustable output voltage via potentiometer
- Waterproof die cast aluminum housing with mounting holes

Specifications

Model LVC-	LVC-40V24-3A
Input Voltage	8-40 VDC
Output Voltage	5-24 VDC
Output Wattage (max)	15 W
Output Current (max)	3 A
IP Rating	IP68, Waterproof
Dimming Control	Non-Dimmable
Ambient Operating Temperature	-40-176 °F (-40-80 °C)

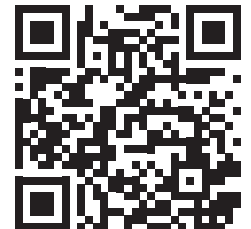
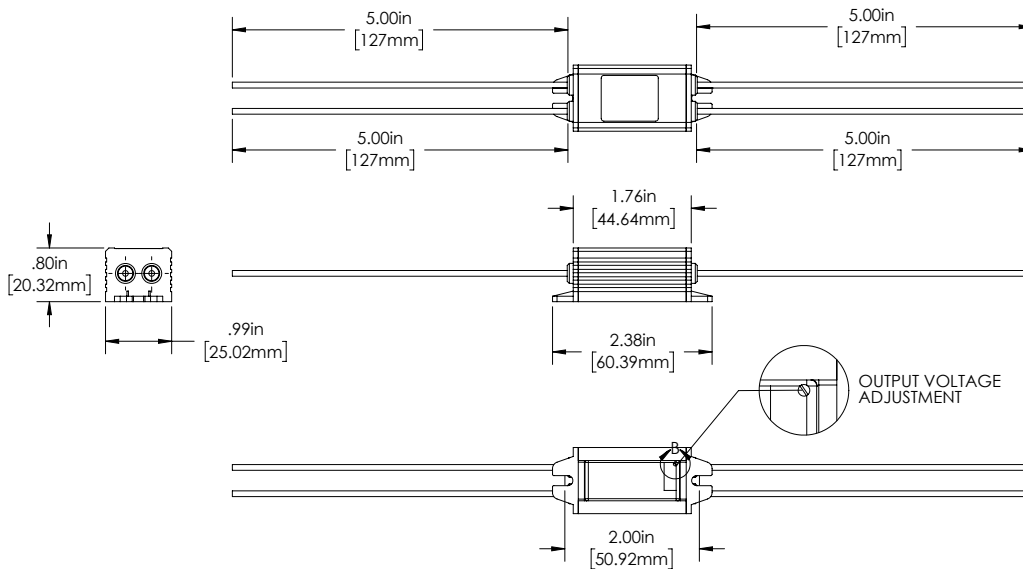
Applications

- Forklifts
- Golf Carts

Warranty

- 2-year warranty

Dimensional Drawings



¹Contact customer service if interested in other options.