

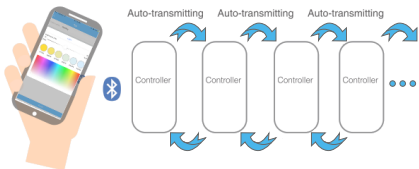
User Manual

RGBW and RGB+CCT
Bluetooth Controller



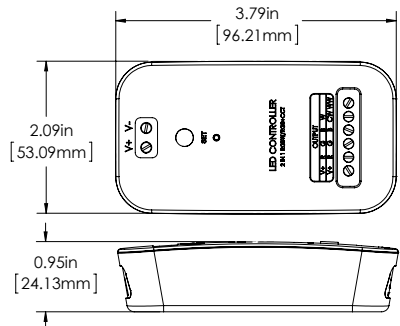
Safety and Notes

- Product should be installed and serviced in accordance with applicable national, state, and local building and electrical codes.
- To reduce the risk of electric shock, ensure that the main power source and circuit breakers are switched off before performing any installation or wiring procedures.
- Failure to properly secure controller, may result in damage or injury, for which the manufacturer does not assume responsibility.
- Intended for indoor use only.
- Auto-transmitting function relays signal to additional compatible controllers in 80 ft (25 m) range.



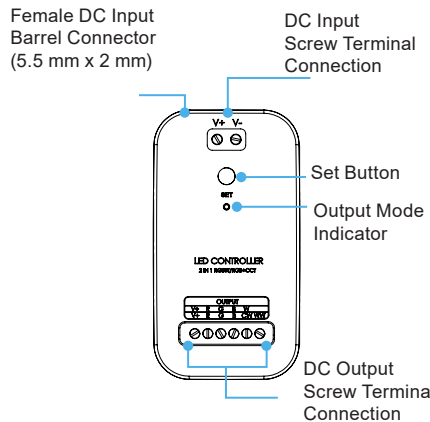
Specifications

Model	LF-BL-A2
Input Voltage Range	9–24 VDC
Output Voltage Range*	9–24 VDC
Max Input Current	3 A (Barrel Connector) 15 A (Screw Terminal)
Max Output Current	15 A (5 A per channel max)
Operating Temperature	-22°–131° F (-30°–55° C)
Max Recommended Communication Distance (varies by device)	82 ft (25 m)
Weight	1.75 oz (50 g)



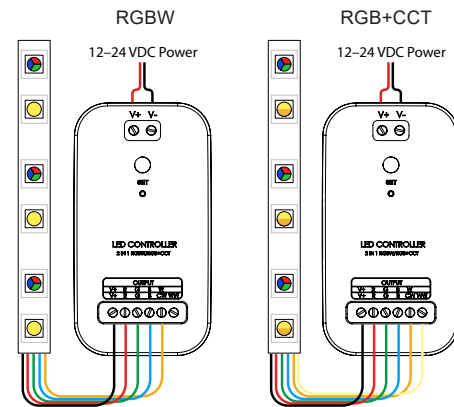
*Output voltage will not exceed input voltage.

Controller Layout



The output mode indicator will be **GREEN** when in RGBW mode and **BLUE** when in RGB+CCT mode. To switch between modes, simply hold the set button until output mode indicator changes color.

Wiring Diagram



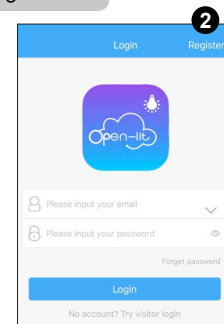
Downloading the App



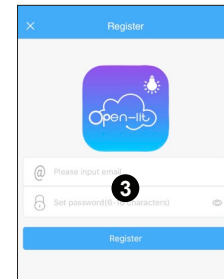
The app can be downloaded by scanning the QR code on iOS and Android or by searching for "Open-Lit" in the Apple App store.

Phone/Tablet App Registration

1. Ensure Bluetooth is enabled on the device.
2. Open the app and select "Register" on the top right.
3. Select an email and password combo for account, then press "Register" button.
4. Return to home screen and log in.

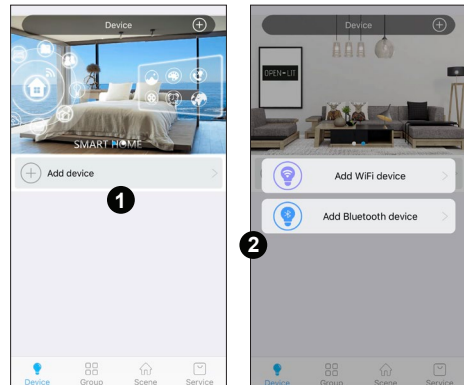


Note: Controller can only be paired to one account at a time. However, the same account can be used on multiple devices to access the same controller.



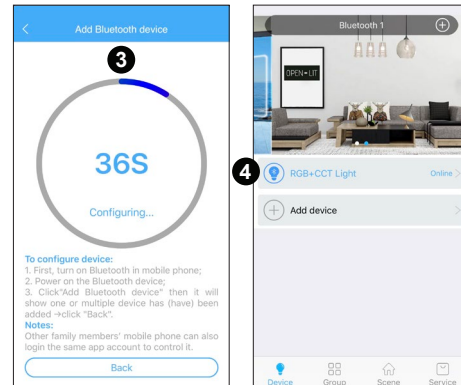
Pairing Controller to Phone/Tablet

1. Once logged in, and with device on the appropriate setting (RGBW or RGB+CCT), press "Add device" button.
2. Select "Add Bluetooth device" option.



Pairing Controller (cont.)

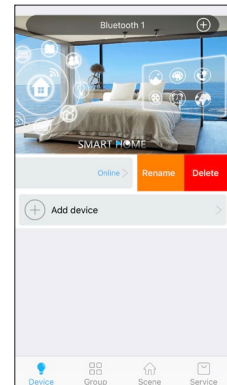
3. A configuration screen will be displayed which will automatically pair the controller and the phone/tablet.
4. Once the process is finished, app will return to the home screen, where the controller will now appear.



Note: Each time the mode on the controller is changed, the controller will need to be re-paired with account on phone/tablet.

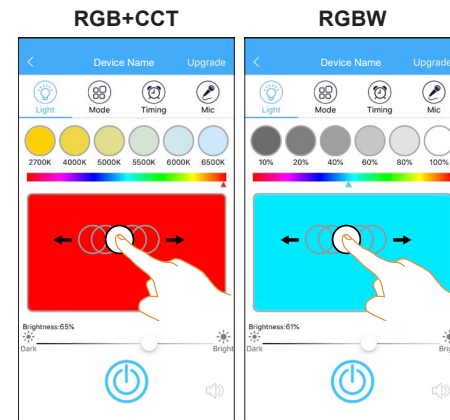
Renaming or Removing Controller

Once a controller is successfully paired, the name of the paired controller can be changed by swiping to the left on the controller name and selecting "rename" button. Selecting the delete option will unpair the controller from the account.



RGB+CCT Function

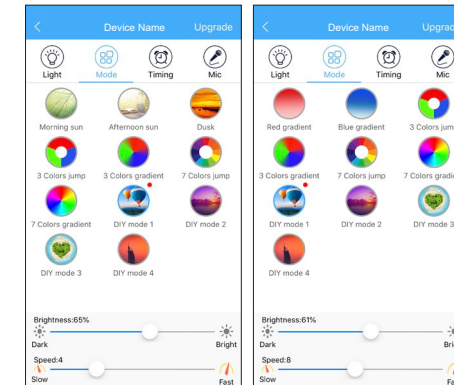
In RGB+CCT mode, "Light" screen will display 6 preset white temperatures. In RGBW mode, "Light" screen will display 6 presets for white at various brightness levels at the top. These are also used to switch to white mode from RGB mode. The large rectangle below the 6 presets is used to control RGB color by sliding a finger across it. A brightness control slider and a master on/off button are also located on this screen.



Note: RGB and white can not be used at the same time.

Mode Selection

In RGB+CCT mode, "Mode" screen will display 7 preset modes and 4 programmable modes. In RGBW mode, "Mode" screen will display 6 presets and 4 programmable modes. There is a slider to control brightness and speed at the bottom of the screen.



Mode Programming

Each of the four programmable modes in the "Mode" screen will allow up to 6 RGB colors and one of three patterns to be used to create custom modes.



Timing

Up to 16 on or off timer settings can be saved to automate controller function. The controller will remain on the same setting it was using previously when powered back on.

Mic

When on the "Mic" screen the controller will use the microphone on the connected phone/tablet and will activate lights based on any sound the microphone picks up.

