

**Important: Read all instructions prior to installation.**

### Tunable White LED Panel Light



#### Included Parts

- 1 - LED Panel Ceiling Light
- 4 - Wire Nuts

#### Safety and Notes

- Product should be installed by a certified electrician in accordance with applicable national, state, and local building and electrical codes.
- To reduce the risk of electric shock, ensure that the main power source and circuit breakers are switched off before performing any installation or wiring procedures.
- Avoid looking directly into the light when illuminated.
- Failure to properly support the fixture may result in damage or injury, for which the manufacturer does not assume responsibility. A safety cable is not included, but it is recommended that one be connected to grid clip during installation.

#### Recommended Accessories

- Handheld Remote Control (LPD-TWHR)
- Wall-mount Controller (LPD-TWWR)

#### Optional Accessories

- Optional Suspension Kit (LP-HKO-2)
- Surface Mount Kit (LP-22-SMK for 2x2, LP-24-SMK for 2x4)

#### Specifications

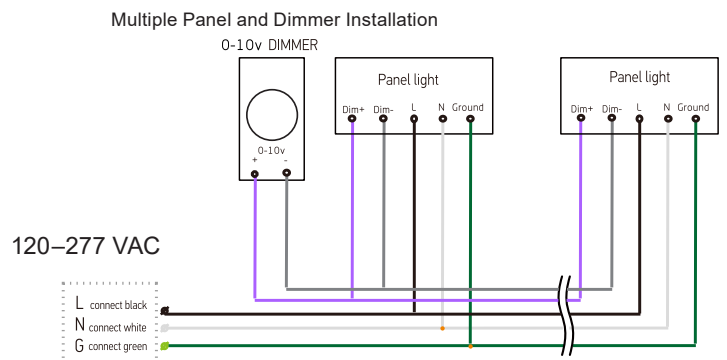
Model	LPD-TWRx-x
Operating Temperature	-4°–113° F (-20°–45° C)
IP Rating	IP20

Check product label for specific electrical specifications related to installation.

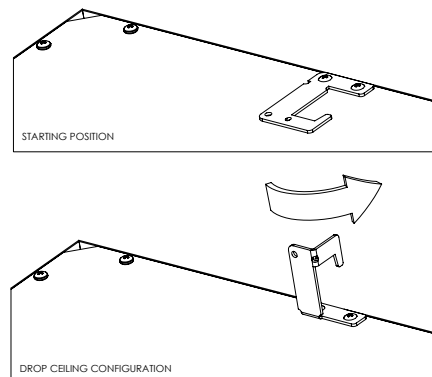
Improper installation will void warranty.

#### Recessed Installation

1. Disconnect supply power and remove existing troffer light or ceiling tile.
2. Make electrical connections.



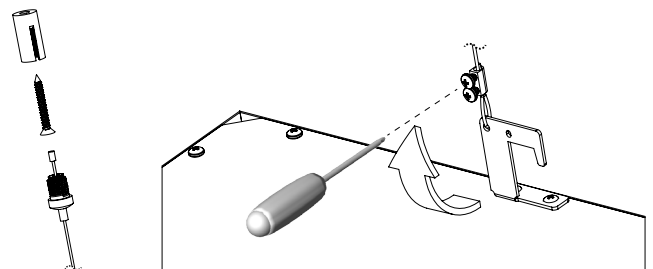
3. Bend out safety tabs to be vertical, then bend upper portion out 90 degrees.



4. Lay fixture into T-grid.

#### Optional Suspension Kit (LP-HKO-2) Installation

1. Mount suspension hardware to ceiling.
2. Hang panel from suspension cables using cable clamp to secure.



**Important: Read all instructions prior to installation.**

## Tunable White LED Panel Light

### Linking Single Controller

#### Handheld Remote Control

Hold the "ID" button (the controller's indicator light will stay on) and turn the light panel on. The light panel will flash to indicate the process is successful, at which point the "ID" button can be released. Hold "ID" and ▼ buttons and turn the light panel on to unlink the remote from the light panel.

#### Wall-mount Controller

Hold the "ON" and "OFF" buttons (the controller's indicator light will stay on) and turn the light panel on. After the light has been on for 3–5 seconds, release buttons and check to ensure linking was successful.

### Linking Multiple Controllers

If using both the handheld controller and wall-mount controller, the wall controller can copy some of the functions of the hand-hold controller by holding the following buttons simultaneously for a few seconds until indicator light turns solid.

Option Number	Grouping	Handheld Remote	Wall-mount Controller
1	1	1 + ID	ON + CCT
2	2	2 + ID	ON + CCT
3	3	3 + ID	ON + CCT
4	4	4 + ID	ON + CCT
5	All	ID	ON + CCT

### Controllers

LPD-TWHR



ON	OFF	ON Turn on	OFF Turn off
1	2	Group light(s) by holding the desired group button (1–4) for at least 3 seconds, then turning on the light(s) that should be added to that group. The light(s) will flash to indicate the group was successfully assigned.	
3	4		
ALL	Selects all linked lights, regardless of group.		
Save	Set the color temperature and brightness to the desired settings to save. Hold the "SAVE" button for 3–5 seconds until the light goes out. The light should now use the saved color temperature and brightness when it is powered on.		
▲	▼	Increases or decreases brightness.	
◀	▶	Increases or decreases color temperature.	

LPD-TWWR



ON	OFF	ON Turn on	OFF Turn off
ON	Set the color temperature and brightness to the desired settings to save. Hold the "ON" button for 6–9 seconds until the light goes out. The light should now use the saved color temperature and brightness when it is powered on.		
CCT	The "CCT" button cycles between 3000K, 3500K, 4000K, and 5000K color temperature settings.		

