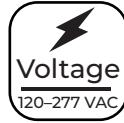




LHBDS2-50K165ML-P1WH



Available Models¹

- LHBDS2-50K85ML-P1WH LHBDS2-50K255ML-P1WH
- LHBDS2-50K130ML-P1WH LHBDS2-50K300ML-P1WH
- LHBDS2-50K165ML-P1WH

Part Number Breakdown

Example: LHBDS2-50K165ML-P1WH

Series	CCT	Wattage	Diffuser	LED Maker	Driver	Finish
LHBDS2 [Linear High Bay, Dimmable, V2]	50K [5000K]	85 [85 W] 130 [130 W] 165 [165 W] 255 [255 W] 300 [300 W]	M [Prismatic]	L [Lumileds]	P1 [Class P]	WH [White]

Overview

Replace conventional fluorescent and metal halide fixtures in warehouses, distribution centers, and grocery stores. The LED linear high bay delivers a wide Type V light distribution. Steel housing is powder coated for added durability and the impact-resistant polycarbonate lens diffuses light. High 140 lm/W efficacy maximizes energy savings. Mount using the included suspension mounting kit or use the optional pendant mounting kit (sold separately) for pendant mounting.

Features

- Energy-efficient and low maintenance
- High efficacy of 140 lm/W
- Multiple mounting options available
- Constructed with powder-coated steel housing

Product Details

- White steel housing
- Polycarbonate lens
- 1/2" trade size knockouts
- 0-10V dimming
- 120-277 VAC
- IP20, suitable for damp or dry locations only

Applications

- Big Box Retailers
- Distribution Centers
- Factories
- Gymnasiums
- Manufacturing Plants
- Packaging Facilities
- Warehouses

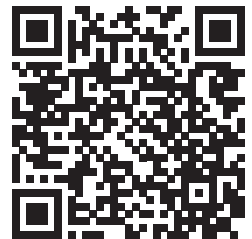
Certifications and Compliances

- Certified by UL - UL 1598 (IFAM)
- DLC 5.1 Premium listed



Warranty

- 5-year warranty

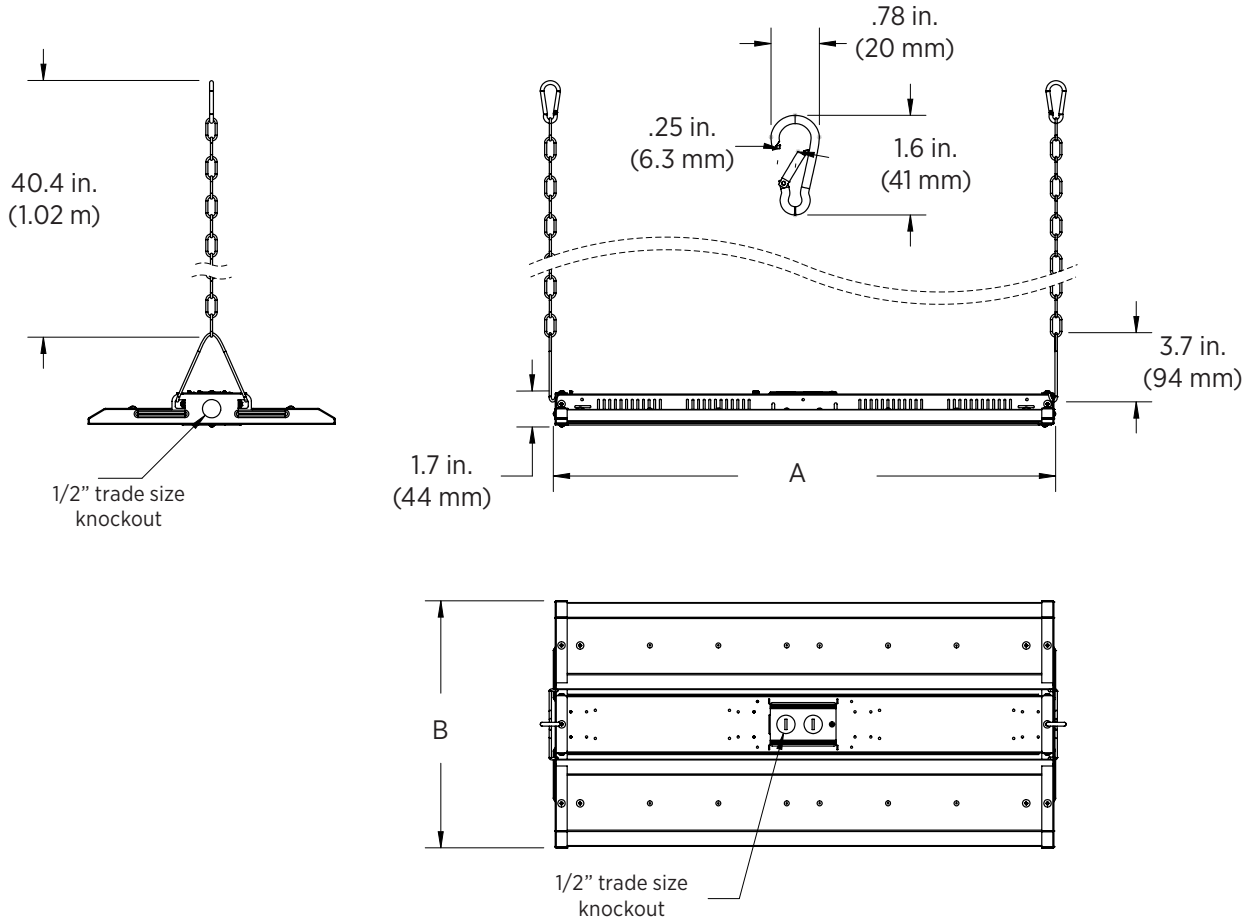


¹Contact customer service if interested in other options.

LHBDS2 Series

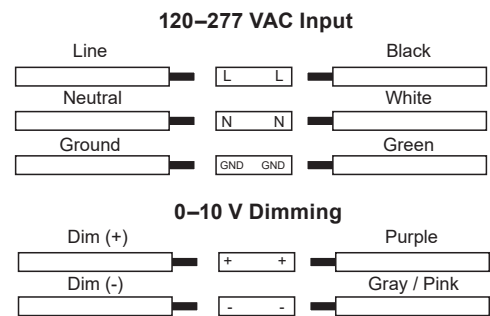
LED Linear High Bay Specifications

Dimensional Drawing



Model LHBDS2-	A	B
50K85ML-P1WH	15 in. (381 mm)	11.9 in. (302 mm)
50K130ML-P1WH	24.1 in. (613 mm)	11.9 in. (302 mm)
50K165ML-P1WH	24.1 in. (613 mm)	11.9 in. (302 mm)
50K255ML-P1WH	24.1 in. (613 mm)	14.2 in. (362 mm)
50K300ML-P1WH	24.1 in. (613 mm)	14.2 in. (362 mm)

Wiring Diagram



LHBDS2 Series

LED Linear High Bay Specifications

Model Specifications

LHBDS2-	50K85ML-P1WH	50K130ML-P1WH	50K165ML-P1WH	50K255ML-P1WH	50K300ML-P1WH
Intensity	11,900 lm	18,200 lm	23,100 lm	35,700 lm	42,000 lm
Power Consumption	85 W	130 W	165 W	255 W	300 W
Current Draw	120 VAC	785 mA	1.2 A	1.5 A	2.8 A
	277 VAC	340 mA	520 mA	660 mA	1.2 A

Series Specifications

LHBDS2	
Operating Voltage	120-277 VAC
Efficacy	140 lm/W
Color Temperature	5000K
Beam Angle	90°
CRI	80+
Power Factor	≥ 0.9
Dimming	0-10V
IP Rating	IP20
Environmental Rating	Suitable for Damp Locations
Rated Life (L70)	50,000 hours
Ambient Operating Temperature	-22°-122° F (-30°-50° C)

