

LHBDS2 Series

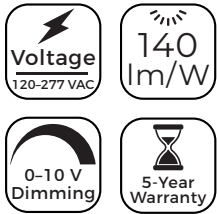
LED Linear High Bay Specifications

Project _____

Date _____ Type _____



LHBDS2-50K165ML-P1WH



Available Models¹

- LHBDS2-50K85ML-P1WH LHBDS2-50K220ML-P1WH
- LHBDS2-50K110ML-P1WH LHBDS2-50K255ML-P1WH
- LHBDS2-50K130ML-P1WH LHBDS2-50K300ML-P1WH
- LHBDS2-50K165ML-P1WH

Part Number Breakdown

Example: LHBDS2-50K165ML-P1WH

Family	CCT	Wattage	Diffuser Type	LED Manufacturer	Driver	Finish
LHBDS2	50K [5000K]	165 [165 W]	M [Prismatic]	L [Lumileds]	P1 [Class P]	WH [White]
		300 [300 W]				

Description

LHBDS2 LED linear high bays are an ideal option for high bay applications in commercial and industrial locations. Powerful and reliable—these lights achieve an incredibly efficient 140 lumens per watt. Steel housing is powder-coated for added durability and impact-resistant polycarbonate lens protects LEDs and diffuses light. Lights include a hanging kit for suspension mounting the fixture.

Construction/Mechanical

- Includes suspension/hanging kit
- White finish steel housing
- Polycarbonate lens
- ½" trade size knockouts

Electrical

- 120–277 VAC input
- 0–10 V dimming
- 50,000 hour LED lifetime
- ≥0.9 power factor

Photometrics

- 140 lm/W
- 90° beam angle
- 80+ CRI

Application

Easily replaces traditional T5 and T8 high bay fixtures as well as metal-halide high bays. Type V distribution makes these ideal for many applications including factories, warehouses, and other large, high ceiling spaces.

Certifications and Compliances

DesignLights Consortium listed as DLC 5.1 Premium. Certified by UL as being suitable for damp locations.

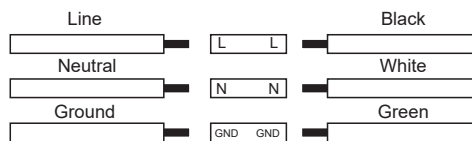


Warranty

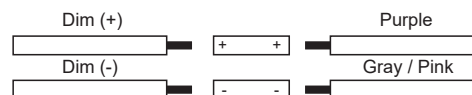
- 5-year warranty

Wiring Diagram

120–277 VAC Input



0–10 V Dimming

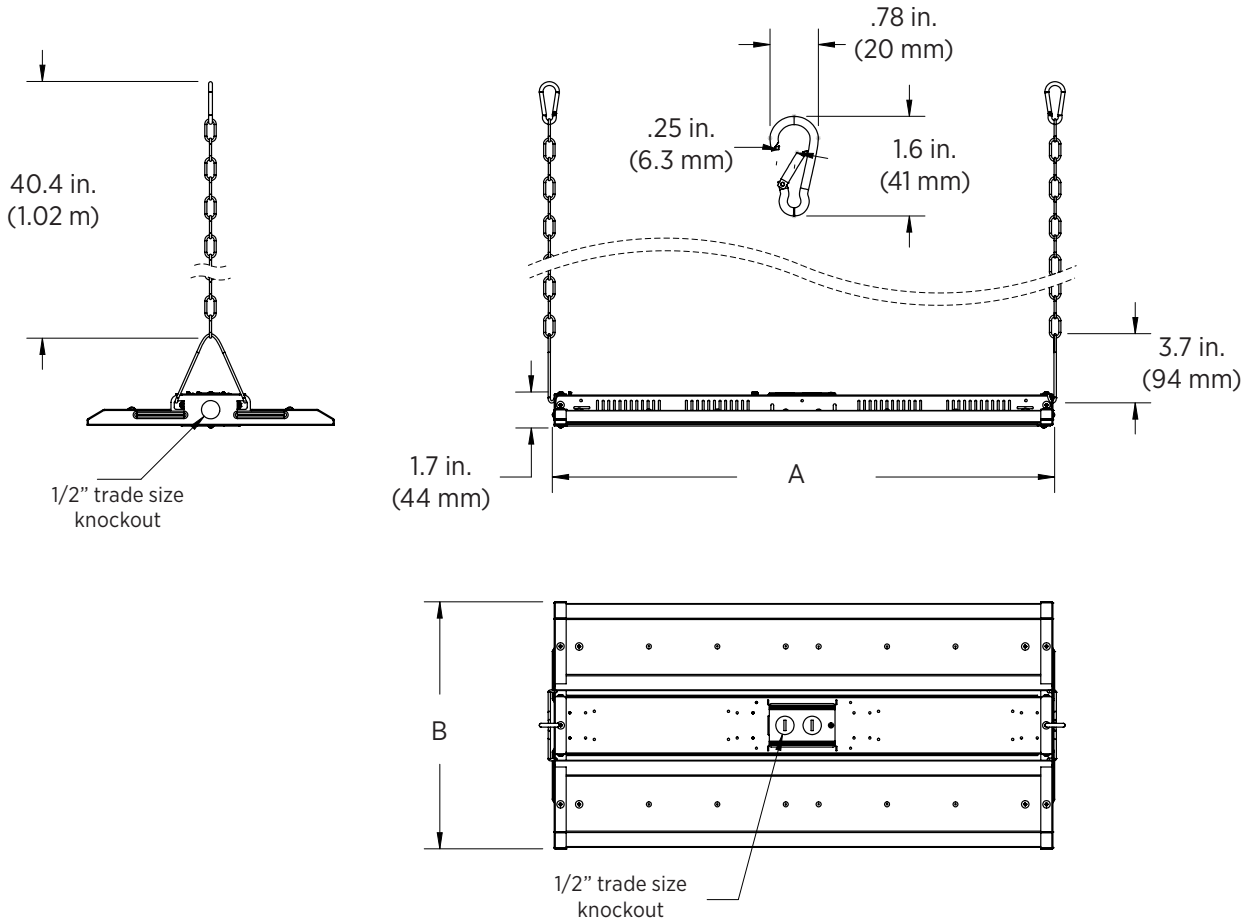


¹Contact customer service if interested in options other than those listed.

LHBDS2 Series

LED Linear High Bay Specifications

Dimensional Drawing



Model	A	B
LHBDS2-50K85ML-P1WH	15 in. (381 mm)	11.9 in. (302 mm)
LHBDS2-50K110ML-P1WH	15 in. (381 mm)	11.9 in. (302 mm)
LHBDS2-50K130ML-P1WH	24.1 in. (613 mm)	11.9 in. (302 mm)
LHBDS2-50K165ML-P1WH	24.1 in. (613 mm)	11.9 in. (302 mm)
LHBDS2-50K220ML-P1WH	24.1 in. (613 mm)	14.2 in. (362 mm)
LHBDS2-50K255ML-P1WH	24.1 in. (613 mm)	14.2 in. (362 mm)
LHBDS2-50K300ML-P1WH	24.1 in. (613 mm)	14.2 in. (362 mm)



LHBDS2 Series

LED Linear High Bay Specifications

Specifications

Model LHBDS2		-50K85ML-P1WH	-50K110ML-P1WH	-50K130ML-P1WH	-50K165ML-P1WH
Intensity		11,900 lm	15,400 lm	16,900 lm	23,100 lm
Operating Voltage		120-277 VAC			
Power Consumption		85 W	110 W	130 W	165 W
Current Draw	120 VAC	708 mA	917 mA	1.08 A	1.38 A
	277 VAC	307 mA	397 mA	469 mA	596 mA
Efficacy		140 lm/W	140 lm/W	140 lm/W	140 lm/W
Color Temperature		5000K			
Beam Angle		90°			
CRI		80+			
Power Factor		≥ 0.9			
Dimming		0-10 V			
Environmental Rating		IP20, suitable for damp locations			
Ambient Operating Temperature		-22°-122° F (-30°-50° C)			
Rated Life (L70)		50,000 hours			

Model LHBDS2		-50K220ML-P1WH	-50K255ML-P1WH	-50K300ML-P1WH
Intensity		30,800 lm	35,700 lm	42,000 lm
Operating Voltage		120-277 VAC		
Power Consumption		220 W	255 W	300 W
Current Draw	120 VAC	1.83 A	2.1 A	2.5 A
	277 VAC	794 mA	921 mA	1.08 mA
Efficacy		140 lm/W	140 lm/W	140 lm/W
Color Temperature		5000K		
Beam Angle		90°		
CRI		80+		
Power Factor		≥ 0.9		
Dimming		0-10 V		
Environmental Rating		IP20, suitable for damp locations		
Ambient Operating Temperature		-22°-122° F (-30°-50° C)		
Rated Life (L70)		50,000 hours		

