



LVT-150W-SS4



Available Models¹

- LVT-75W-SS2T LVT-600W-SS8
- LVT-150W-SS4 LVT-900W-SS8
- LVT-300W-SS4

Part Number Breakdown

Example: LVT-150W-SS4

Series	Output Power	Material	Output Terminals
LVT [Low-Voltage Transformer]	75W [75 W]	SS [Stainless Steel]	2T [2 Voltage Terminals]
	150W [150 W]		4 [4 Voltage Terminals]
	300W [300 W]		8 [8 Voltage Terminals]
	600W [600 W]		
	900W [900 W]		

Overview

The low-voltage landscape transformer is available with up to 900W of power. Install longer landscape lighting runs with minimal voltage drop using the multiple screw-terminal voltage taps. The stainless steel transformer has a toroidal core for quiet, efficient operation and has 1/2" knockouts for wiring and photocell installation. The transformer has a 5-15P plug for 3-prong outlets. Use a compatible mechanical or digital timer for automatic functioning. The 75W version has a built-in manual timer for simple powering control. An optional photocell offers automatic dusk-to-dawn operation. Swivel the photocell up or down for precise placement. Mounting hardware not included.

Features

- Multi-tap for longer landscape runs
- Optional photocell for dusk-to-dawn operation
- Stainless steel housing protects against outdoor conditions
- Fully encapsulated toroid core
- ETL Listed for indoor and outdoor applications

Product Details

- Stainless Steel Transformer Construction
- Overload and short circuit protection
- 120 VAC input, 12-22 VAC output (see specifications)

Certifications and Compliances

- ETL Listed - UL 1838

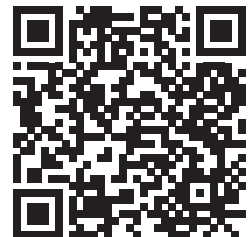


Optional Accessories

- Photocell sensor (-PC)
- Timers (150-900W models)
- Digital timer (LVT-TD)
- Mechanical timer(LVT-TM)

Warranty

- 5-year warranty





LVT Series

Low-Voltage Transformer Specifications

Specifications

Model	LVT-75W-SS2T	LVT-150W-SS4	LVT-300W-SS4	LVT-600W-SS8	LVT-900W-SS8
OUTPUT					
Output Power	75W	150W	300W	600W	900W
Output Voltage	12/15 VAC	12/13/14/15 VAC		12/13/14/15/16/17/18/22 VAC	
Output Connection Type	Screw Terminals				
Dimming	None				
INPUT					
Max. Input Current	625mA	1.25A	2.5A	8A	12A
Max. Output Current	6.25A	12.5A	25A	50A	75A
Input Voltage	120 VAC				
Input Connection Type	5-15P				
PROTECTIONS					
Output Overload	8.5A	17A	34A		
ENVIRONMENTAL					
IP Rating	IP65				
Environmental Rating	Waterproof				
Ambient Operating Temperature	-45 to 45°C (-49 to 113°F)				
MECHANICAL					
Material	304 Stainless Steel				
Cord Length	60in. (5ft)				
Weight	8.75lb (3.96kg)	14.1lb (6.39kg)	16.5lb (7.48kg)	26.25lb (11.9kg)	38.2lb (17.3kg)



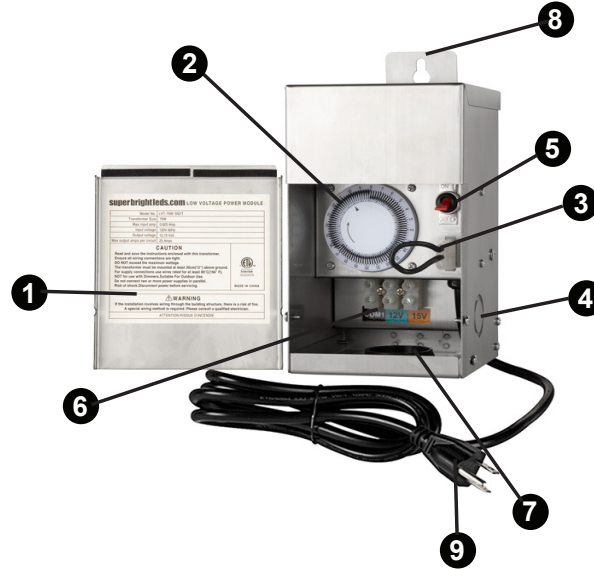
LVT Series

Low-Voltage Transformer Specifications

Features

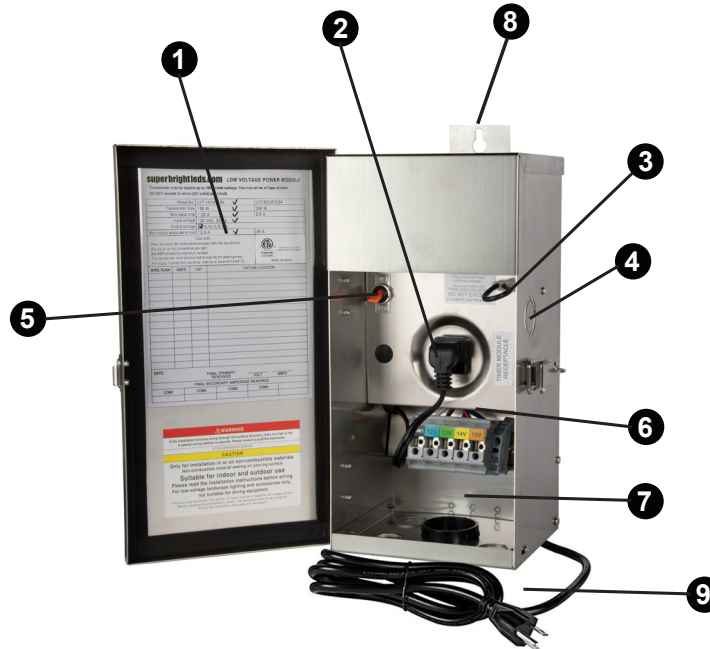
75 W model

1. Operating Record, Warnings, and Specifications
2. Mechanical Timer
3. Photocell Jumper Wire
4. Photocell Knockout
5. On/Off Switch and Circuit Breaker Reset
6. Terminal Block
7. Conduit Cover
8. Mounting Tab
9. Power Cord



150-900 W models

1. Operating Record, Warnings, and Specifications
2. Timer Plug
3. Photocell Jumper Wire
4. Photocell Knockout
5. On/Off Switch and Circuit Breaker Reset³
6. Terminal Block
7. Conduit Cover
8. Mounting Tab
9. Power Cord



³The 600 W model has two circuits and the 900 W model has three circuits.

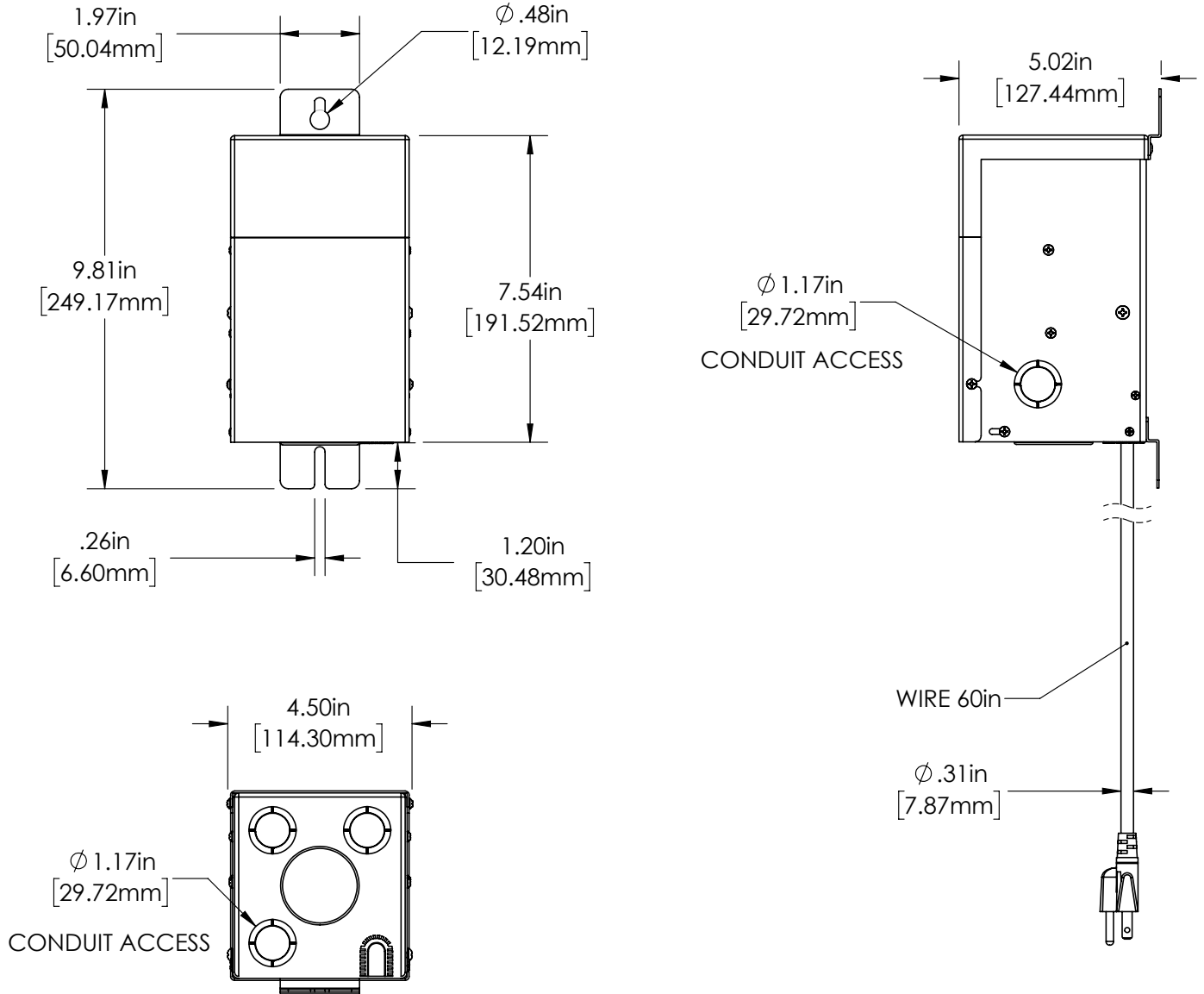


LVT Series

Low-Voltage Transformer Specifications

Dimensional Drawings

LVT-75W-SS2T

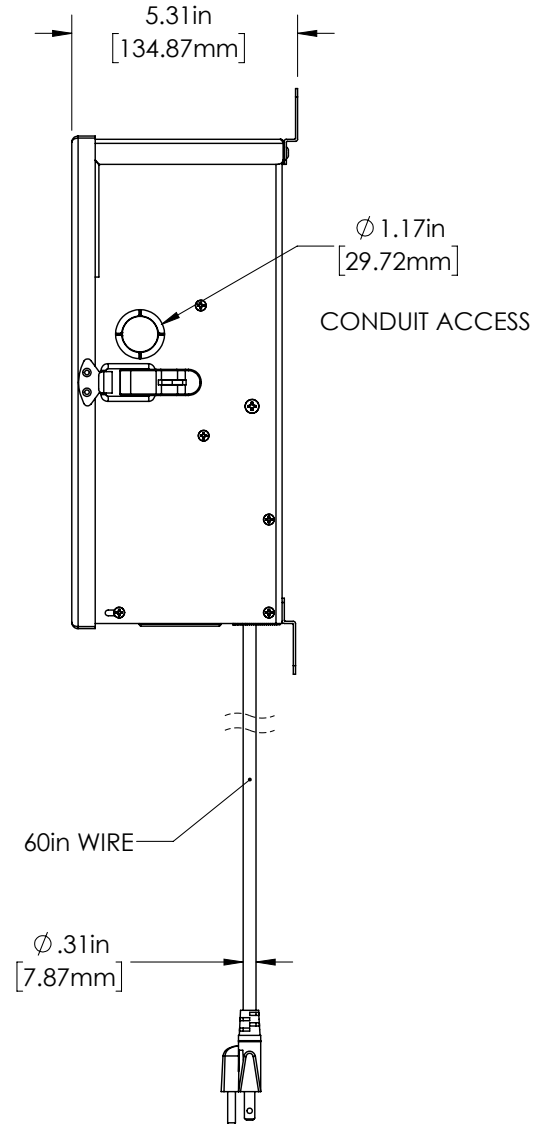
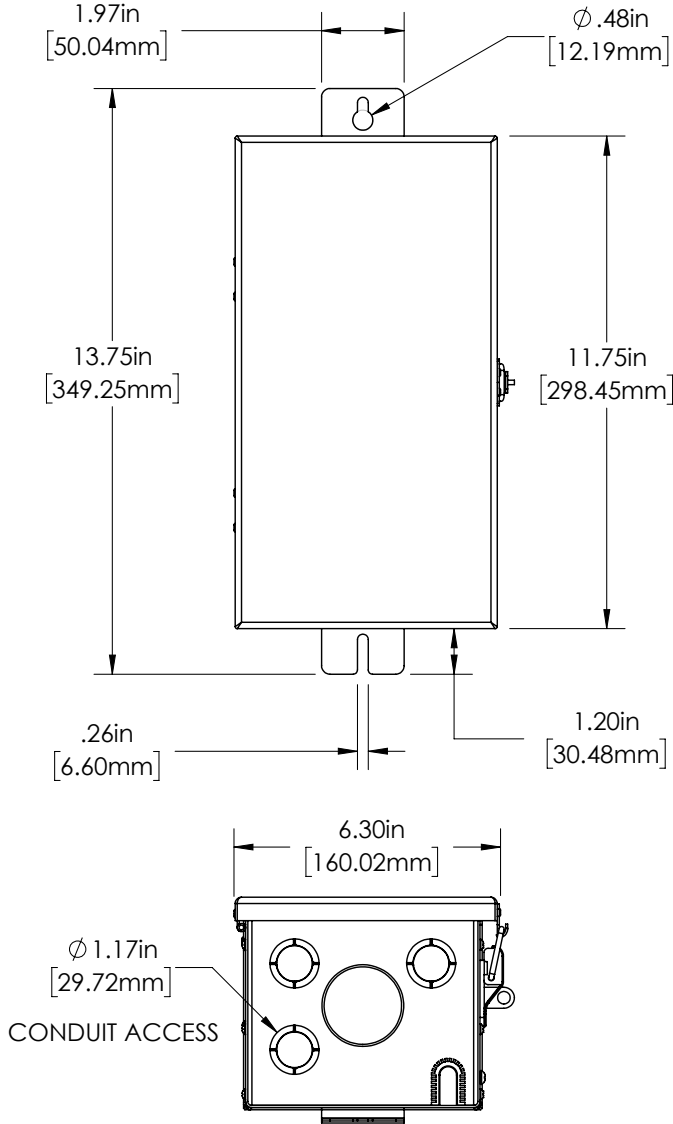


LVT Series

Low-Voltage Transformer Specifications

Dimensional Drawings (cont.)

LVT-150W-SS4, LVT-300-SS4

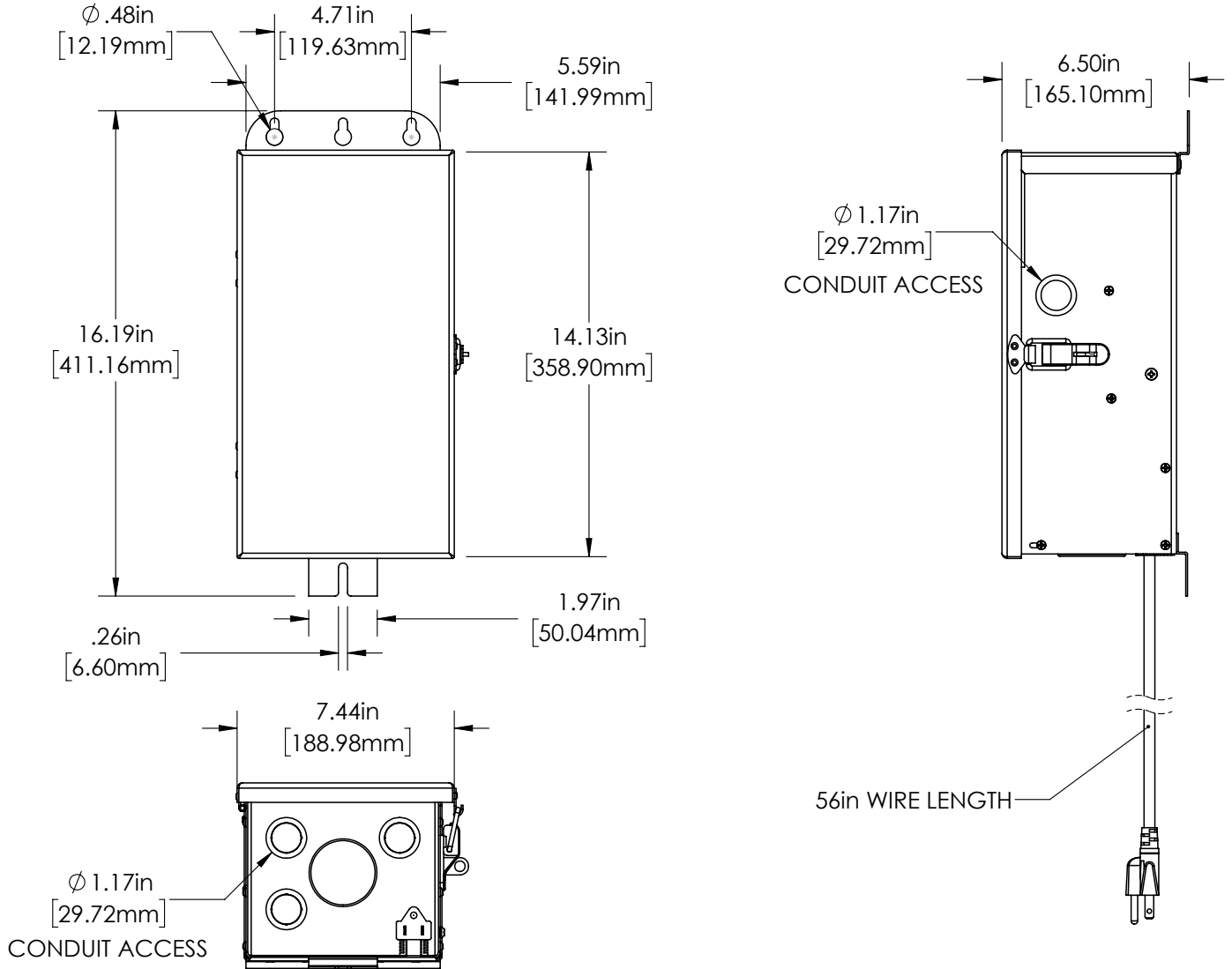


LVT Series

Low-Voltage Transformer Specifications

Dimensional Drawings (cont.)

LVT-600W-SS8



LVT Series

Low-Voltage Transformer Specifications

Dimensional Drawings (cont.)

LVT-900W-SS8

