



# LVT Series

Low-Voltage Transformer Specifications

Project \_\_\_\_\_

Date \_\_\_\_\_ Type \_\_\_\_\_



LVT-150W-SS4



### Available Models<sup>1</sup>

- LVT-75W-SS2T
- LVT-150W-SS4
- LVT-300W-SS4
- LVT-600W-SS8
- LVT-900W-SS8

### Part Number Breakdown

Example: LVT-150W-SS4

Series	Output Wattage	Material	Output Terminals
LVT	75W [75 W]	SS [Stainless Steel]	2T [2 Voltage Terminals]
	150W [150 W]		4 [4 Voltage Terminals]
	300W [300 W]		8 [8 Voltage Terminals]
	600W [600 W]		
	900W [900 W]		

### Features

- 120 VAC input
- 12-22 VAC output\*
- Optional timers (150-900 W only, 75 W has built-in mechanical timer only)
- Dusk to dawn photocell sensor available
- Stainless steel housing

### Application

Low-voltage transformers are an excellent solution for powering and controlling low-voltage LED landscape lighting such as path lights, flood lights, and small area lights.

### Warranty

- Five (5) year warranty

### Certifications and Compliances

- ETL Listed - UL 1838

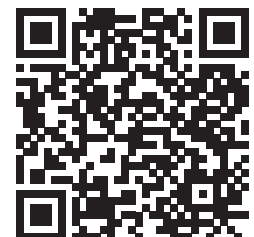


### Optional Accessories

- JL-104A (dusk-to-dawn photocell sensor)
- LVT-TD (digital timer)
- LVT-TM (mechanical timer)

### Notes

\*75 W version has 12 and 15 VAC output options.  
 150-300 W versions have 12, 13, 14, and 15 VAC output options.  
 600-900 W versions have 12, 13, 14, 15, 16, 17, 18, and 22 VAC output options.



<sup>1</sup>Contact customer service if interested in options other than those listed.

# LVT Series

## Low-Voltage Transformer Specifications

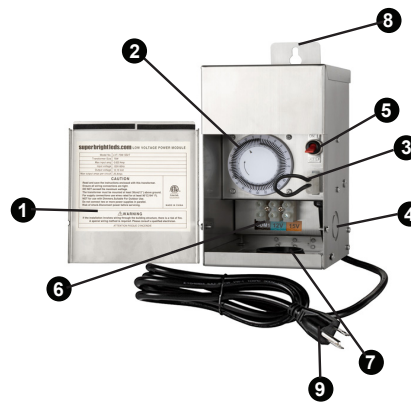
### Specifications

Model	LVT-75W-SS2T	LVT-150W-SS4	LVT-300W-SS4	LVT-600W-SS8	LVT-900W-SS8
Max. Output Wattage	75 W	150 W	300 W	600 W	900 W
Output Voltage	12 or 15 VAC	12, 13, 14, or 15 VAC		12, 13, 14, 15, 16, 17, 18, or 22 VAC	
Max. Input Amperage	625 mA	1.25 A	2.5 A	8 A	12 A
Max. Output Amperage	6.25 A	12.5 A	25 A	50 A	75 A
Input Voltage	120 VAC				
Input Connection	5-15P				
Dimming	None				
IP Rating	IP65				
Ambient Operating Temperature	-49°-113° F (-45°-45° C)				
Weight	8.75 lb (3.96 kg)	14.1 lb (6.39 kg)	16.5 lb (7.48 kg)	26.25 lb (11.90 kg)	38.2 lb (17.33 kg)

### Features

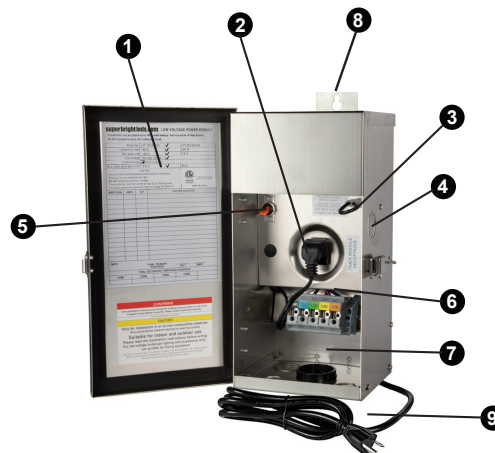
#### 75 W model

1. Operating Record, Warnings, and Specifications
2. Mechanical Timer
3. Photocell Jumper Wire
4. Photocell Knockout
5. On/Off Switch and Circuit Breaker Reset
6. Terminal Block
7. Conduit Cover
8. Mounting Tab
9. Power Cord



#### 150-900 W models

1. Operating Record, Warnings, and Specifications
2. Timer Plug
3. Photocell Jumper Wire
4. Photocell Knockout
5. On/Off Switch and Circuit Breaker Reset<sup>3</sup>
6. Terminal Block
7. Conduit Cover
8. Mounting Tab
9. Power Cord



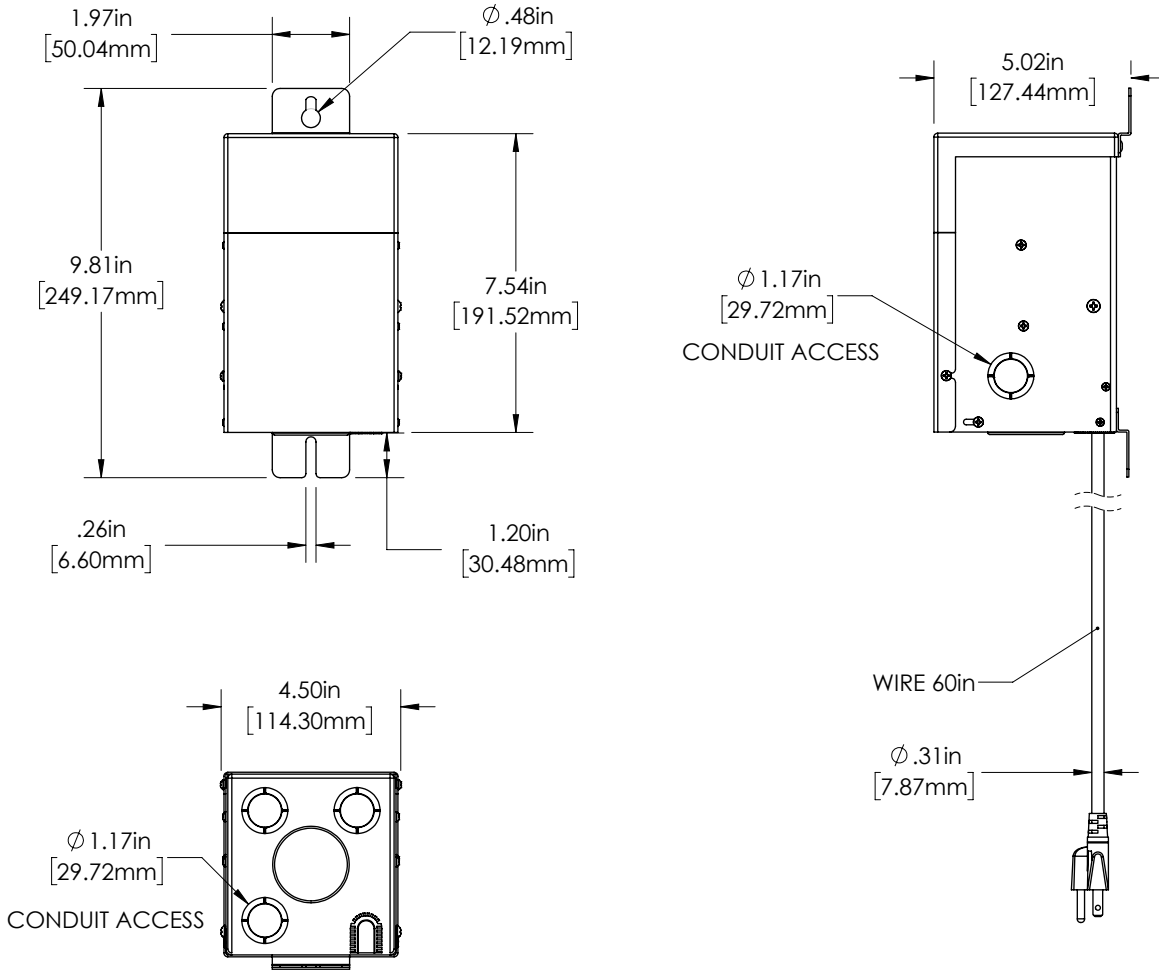
<sup>3</sup> The 600 W model has two circuits and the 900 W model has three circuits.

# LVT Series

Low-Voltage Transformer Specifications

## Dimensional Drawings

### LVT-75W-SS2T

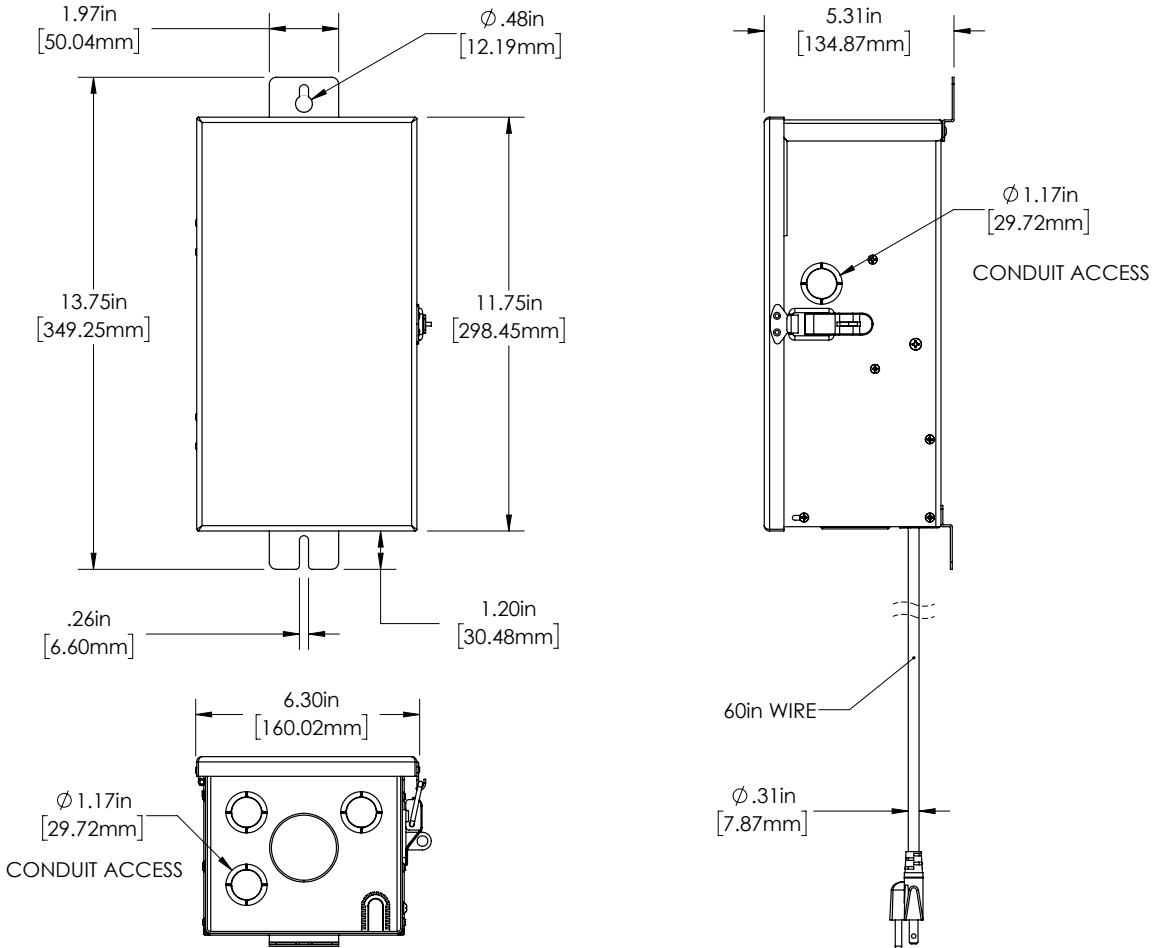


# LVT Series

Low-Voltage Transformer Specifications

## Dimensional Drawings (cont.)

**LVT-150W-SS4, LVT-300-SS4**

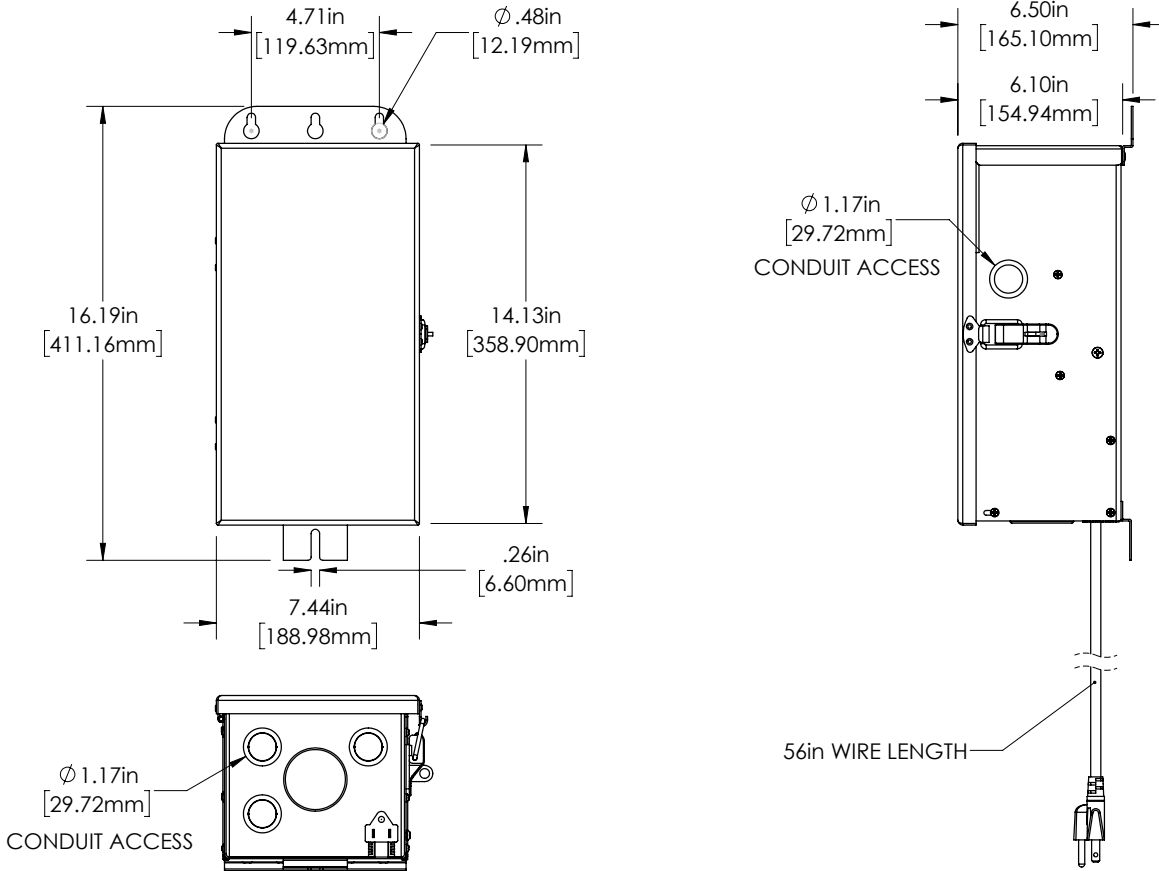


# LVT Series

Low-Voltage Transformer Specifications

## Dimensional Drawings (cont.)

### LVT-600W-SS8



# LVT Series

Low-Voltage Transformer Specifications

## Dimensional Drawings (cont.)

### LVT-900W-SS8

