

**PRODUCT DESCRIPTION**

- Economical end cap made of PP
- Economical T-cover with a simplified design
- Minimum dimensions for 0,5" / 14 mm strips

FINISH :

Silver anodized 

Fill empty fields

Product nr.	
Fixture type	
Company	
Job name	
Date	

**TECHNICAL SPECIFICATION****Application**

For the construction of economic lighting fixtures with basic parameters.

**Mounting**

With mounting brackets from KLUŚ.

**Additional information**

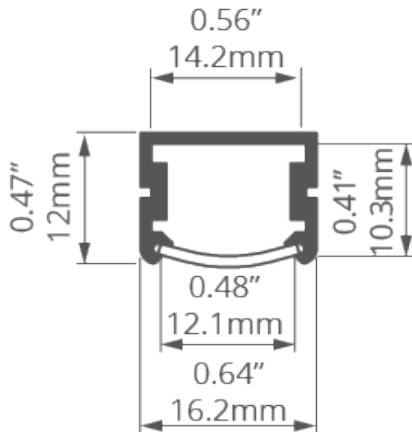
- not recommended to be used with LEDs exceeding 4.5w/ft.

To obtain a fully illuminated cover (without shadows at the end caps), it is recommended to use LED strips with a maximum width of 0,39" / 10mm.

**AVAILABLE LENGTHS**

Ref. nr.	surface finish	available lengths
C1919ANODA_1	Silver anodized	39.4"
C1919ANODA_2	Silver anodized	78.75"

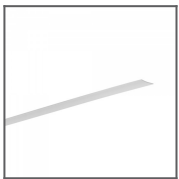
**TECHNICAL DRAWING**



**RELATED PRODUCTS**

**COVERS**

**FROSTED COVERS**



T frosted Cover  
Ref: 17015

**END CAPS**

**REGULAR END CAPS**



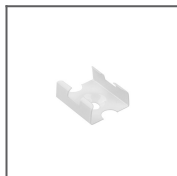
TAPO End cap  
Ref: 20055

**ACCESSORIES**

**FASTENERS & MOUNTING ACCESSORIES**



PDS-STN Mounting bracket  
Ref: 24190



White PDS/MICRO Mounting bracket  
Ref: 24223



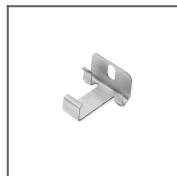
Black PDS/MICRO Mounting bracket  
Ref: 24189



REG-PD-UV Adjustable Mounting bracket  
Ref: 24270



PDS-STN-90G Mounting bracket  
Ref: 24370



PDS-STN-90D Mounting bracket  
Ref: 24367



ST Head  
Ref: 42216



ZZ Head conductive  
Ref: 42218



BZP-ZZ Head conductive  
Ref: 42215



BZP Head  
Ref: 42213



DP-MOC-ZZ Fastener  
Ref: 00647



DP-MOC Fastener  
Ref: 00645



DP-ZZ Fastener  
Ref: 00651



FI-8-LIN-MR Fastener silver  
Ref: 42287

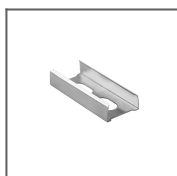


FI-8-LIN-MR Fastener black  
Ref: 42287L9005



FI-8-PRET-MR Fastener silver  
Ref: 42345

## COMPONENTS FOR CONNECTING FIXTURES



PD-MICRO Connector  
Ref: 42150

## MOUNTING SETS



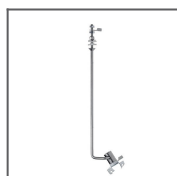
M3 Mounting set  
Ref: 42303



M4 Mounting set  
Ref: 42301



M5 Mounting set  
Ref: 42302



M14 Mounting set  
Ref: 42612

## ADDITIONAL ITEMS



6x1.2 Gland  
Ref: 00802