

Parts needed to mount the EX-ALU extrusion



Extrusion (A)



Expansion bolt (B)



LED strip (C)



End cap (D)

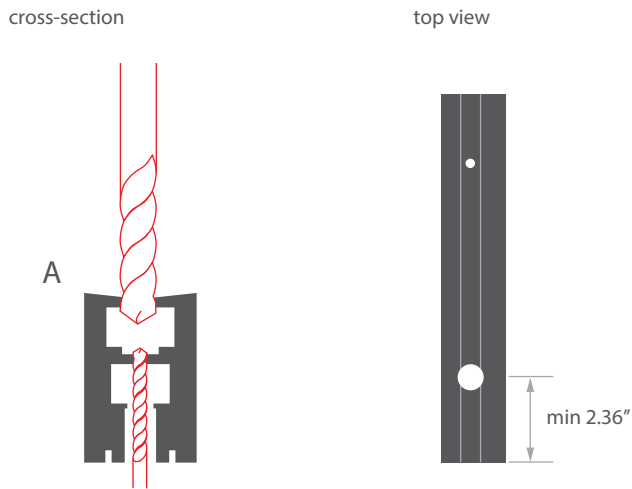
Tools needed for mounting:

- drill
- screwdriver
- mounting screws (suitable for the mounting surface)

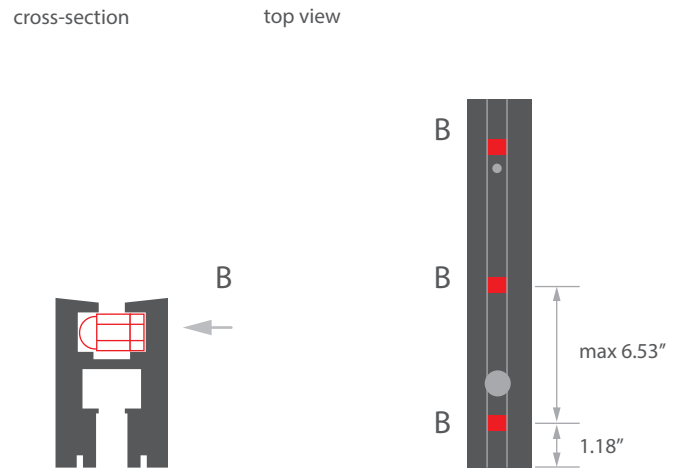
NOTE! All LED strips must be connected to a 12 V or 24 V power supply.

IMPORTANT: The manual presents the simplest mounting procedure.
More mounting procedures and related accessories can be found at klusdesign.com

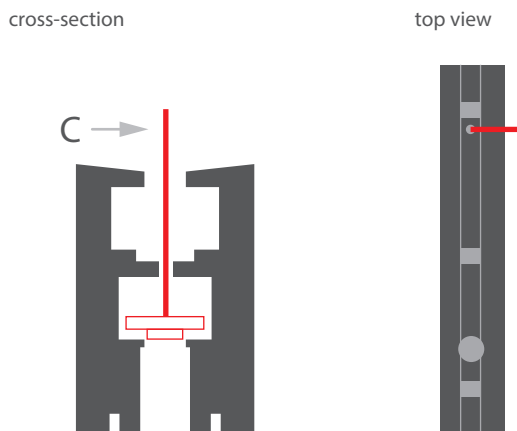
1. Drill holes in the extrusion (A) in its upper part at least 2.36" from its edge. In its lower part make a hole to feed power to the LED strip.



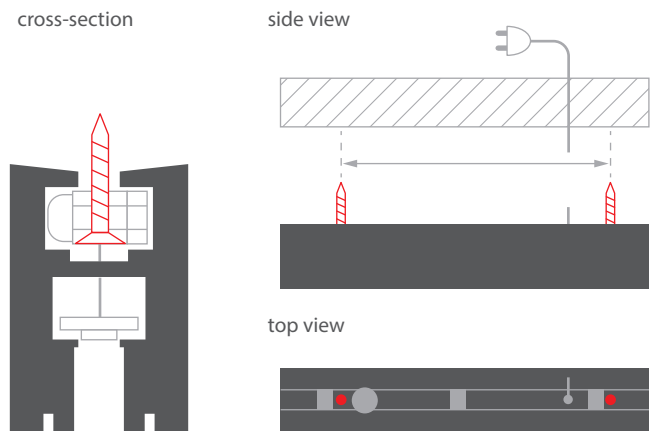
2. Insert the expansion bolts (B) into the extrusion at least 1.18" from its edge so that the maximum offset between the expansion bolts (B) is 6.53".



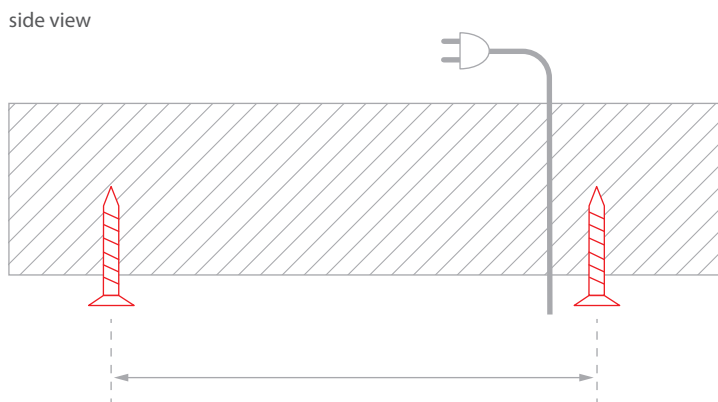
3. Mount the LED strip (C) in the extrusion and lead out power.



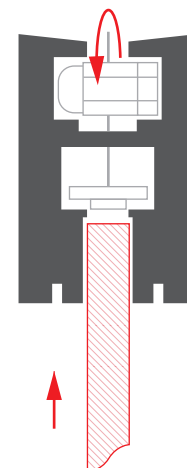
4. Insert mounting screws into the extrusion and measure the distance between them. Mark their distribution on the mounting surface near the power source. Remove the screws from the extrusion.



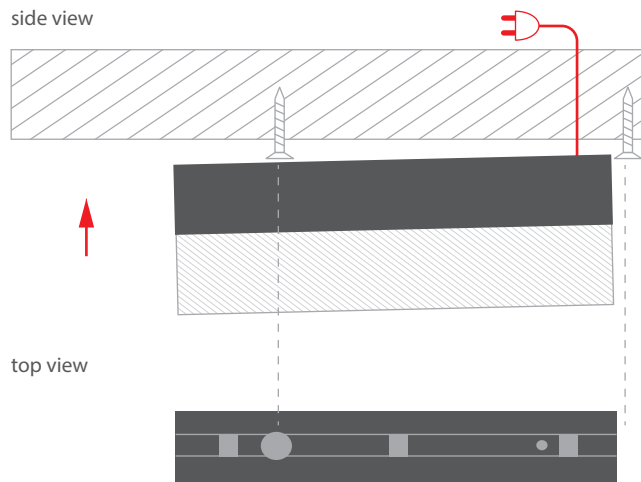
5. Tighten the mounting screws so that their heads are slightly above the surface.



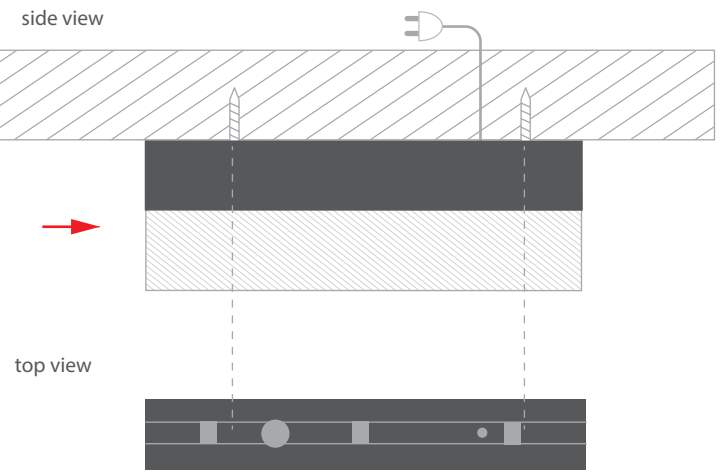
6. Insert the glass into the extrusion. Tighten the expansion bolts until the glass is well fixed.



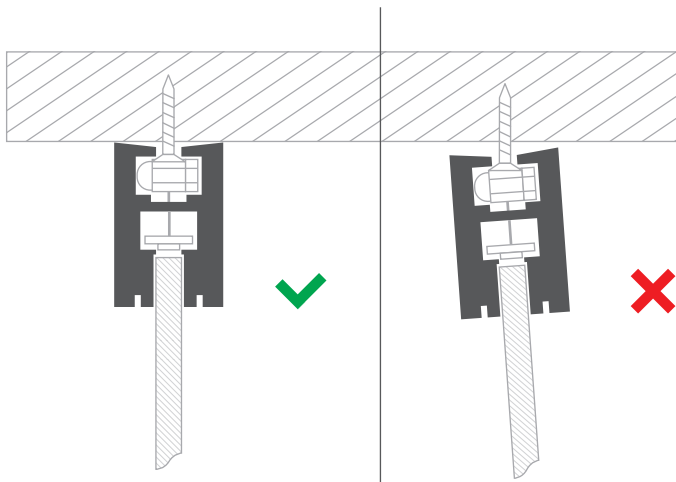
7. Connect power to the LED strip. Align the hole in the extrusion with the mounting bolt and sink its head in the hole.



8. Move the extrusion along the mounting surface to make certain that the entire assembly is well mounted.



9. A correctly mounted extrusion must tightly adhere to the mounting surface.



10. Place the end caps (D) on each end of the extrusion.

