

Important: Read all instructions prior to installation.

Selectable Wattage and CCT LED Corner Light

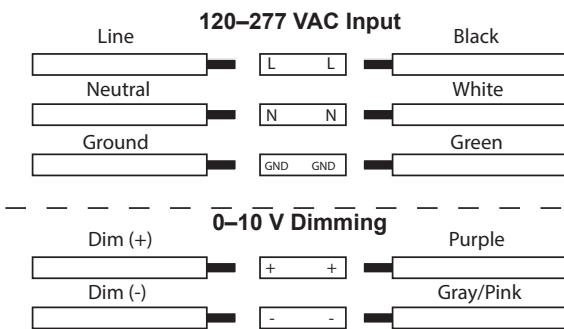


CRN4-SW3C-SP55

Safety and Notes

- To reduce the risk of death, personal injury or property damage from fire, electric shock, falling parts, cuts/abrasions, and other hazards read all warnings and instructions included with and on the fixture box and all fixture labels.
- Product should be installed in accordance with applicable national, state, and local building and electrical codes.
- To reduce the risk of electric shock, ensure that the main power source and circuit breakers are switched off before performing any installation or wiring procedures.
- Avoid looking directly into lamp when illuminated.
- Ensure all mounts are securely attached and will support the weight of the fixture. Failure to properly support fixture may result in damage or injury, for which the manufacturer does not assume responsibility.
- To prevent wiring damage or abrasion, do not expose wiring to edges of sheet metal or other sharp objects.
- Do not make or alter any open holes in an enclosure of wiring or electrical components during kit installation.
- Intended for indoor use only.
- Before installation, verify that supply voltage is correct by comparing it with the luminaire label information.
- Account for small parts and destroy packing material, as these may be hazardous to children.
- Do not mount near radiant heat sources/heaters.

Wiring Diagram



Specifications

Model	CRN4-SW3C-SP55
IP Rating	IP20

Check product label for specific electrical specifications related to installation. Improper installation will void warranty.

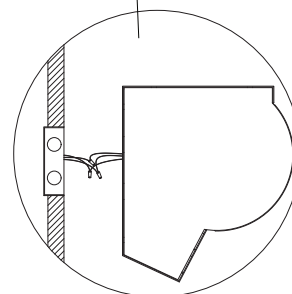
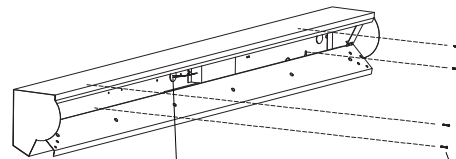
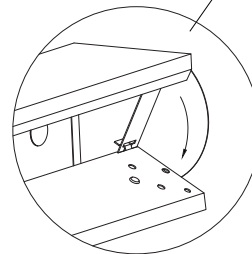
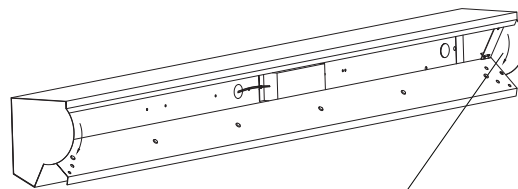
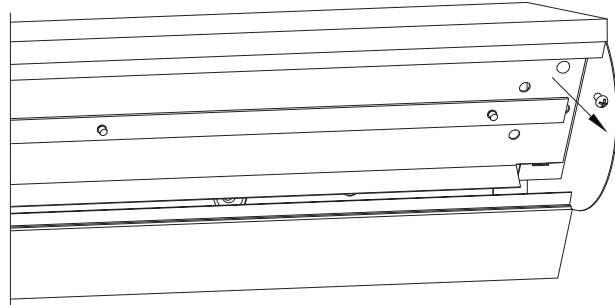


Important: Read all instructions prior to installation.

Selectable Wattage and CCT LED Corner Light

Installation

1. Turn off supply power at breaker.
2. Remove diffuser lens by compressing it to release the lens from the housing.
3. Remove screws to allow the LED panel to rotate out.
4. Mark and drill holes for mounting.
5. Connect supply/dimmer wiring.
6. Secure corner light body to wall.
7. Plug in emergency driver connector.
8. Raise front panel and secure, then reattach diffuser lens.



Mounting screws



Rev Date: V1 12/08/2022

4400 Earth City Expy, St. Louis, MO 63045

• 866-590-3533

• superbrightleds.com