

Important: Read all instructions prior to installation.

**Landscape LED Path Light with Cone Shade**

**Trouble Shooting**

Problem	Possible Cause	Solution
Fixture does not light	<ol style="list-style-type: none"> <li>1. There is no power to 12V power supply.</li> <li>2. The quick connector does not make contact with wires.</li> <li>3. The primary landscape wire is not connected to 12V power supply.</li> <li>4. There is a disconnection in primary landscape wire.</li> <li>5. Minimum load not exceeded.</li> </ol>	<ol style="list-style-type: none"> <li>1. Check the outlet to 12V power supply and ensure that a breaker or GFCI circuit has not been tripped.</li> <li>2. Check the wiring of quick connector that it is screwed tightly, piercing through wire insulation to make solid contact with wire conductors.</li> <li>3. Check primary landscape wire connection to 12V power supply.</li> <li>4. Follow wires from fixture to 12V power supply to ensure a continuous run and/or follow wires between problematic fixture and working fixture.</li> <li>5. Ensure that your power supply does not have a minimum load requirement. Consult the power supply specifications or manual.</li> </ol>
Light flickers (one fixture)	<ol style="list-style-type: none"> <li>1. There is a loose connection with quick connect on primary landscape wire.</li> </ol>	<ol style="list-style-type: none"> <li>1. Tighten quick connects, and ensure contacts are piercing through wire insulation to make solid contact with wire conductors.</li> </ol>
Light flickers (all fixtures)	<ol style="list-style-type: none"> <li>1. There is a loose connection to 12V power supply.</li> <li>2. Minimum load not exceeded.</li> </ol>	<ol style="list-style-type: none"> <li>1. Disconnect power to 12V power supply and ensure primary landscape wire connections are securely fastened and not in contact with other wire.</li> <li>2. Ensure that your power supply does not have a minimum load requirement. Consult the power supply specifications or manual.</li> </ol>
Light is dim	<ol style="list-style-type: none"> <li>1. Maximum load of 12V power supply has been exceeded.</li> <li>2. Recommended distance per landscape wire guage exceeded.</li> </ol>	<ol style="list-style-type: none"> <li>1. Check for other lights or other load on same system and/or increase 12V power supply wattage.</li> <li>2. Increase primary landscape wire gauge size to recommended guidelines.</li> </ol> <p>* For superbrightleds.com technical help call 866-590-3533</p>

\* For superbrightleds.com technical help call 866-590-3533 or use our online chat service.

**Landscape LED Path Light with Cone Shade**

PLC-F  
**Installation Manual**



Important: Read all instructions prior to installation.

## Landscape LED Path Light with Cone Shade

### Safety and Notes

- For use with OUTDOOR, low-voltage landscape lighting systems ONLY.
- NOT FOR USE with submersible or pool/spa equipment.
- Do not submerge in water, the product can be damaged.
- This light fixture is only suitable for a 12~15 Volt AC or DC power supply. Do not exceed 80% of power supply max output.
- Use landscape wire: SBL Product #: WP14-2DB or WP12-2DB
- This light uses a G4 bulb, which is not included.

### Parts Included

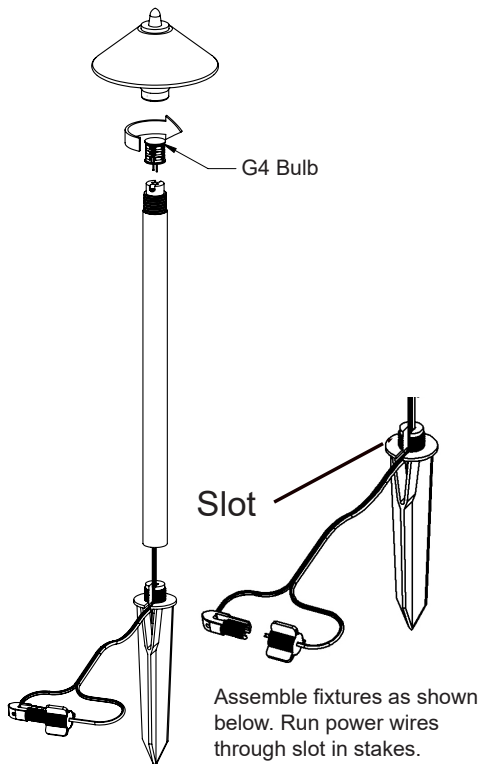
- 1 - Low Voltage Path Light
- 1 - Mounting Stake

### Recommended Accessories

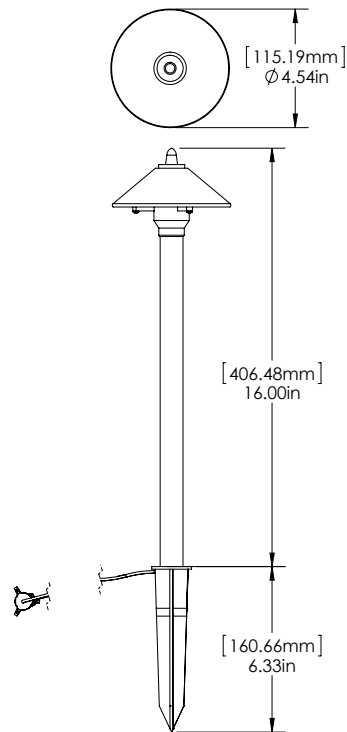
SBL Part No.	Description
*WWN-2212	Silicone Filled Wire nut
SFT-20	Self Fusing Silicone Tape
WP14-2DB	14 Guage Landscape Wire
WP12-2DB	12 Guage Landscape Wire

\*Note: Cutting quick connects will not void warranty. Product exchange only.

### Assembly

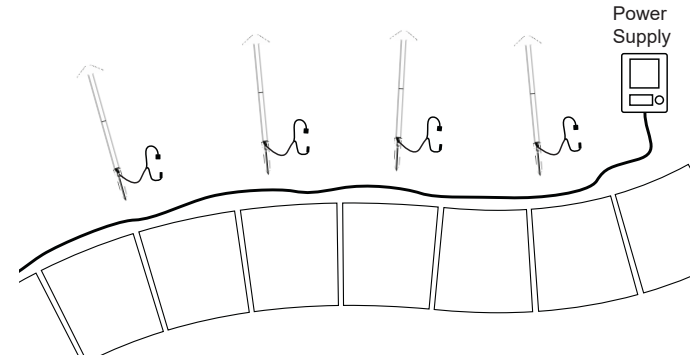


### Dimensional Drawings

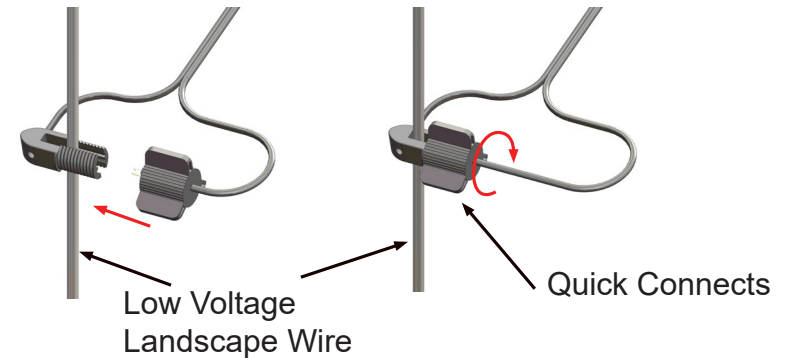


### Installation Instructions

1. Lay fixtures out as they will be installed.
2. Run landscape wire (WP14-2DB or WP12-2DB available at [superbrightleds.com](http://superbrightleds.com)) from 12V supply past each light. Wire must be within 8" of mounting stake to allow power connections to be made.



3. Use quick connects supplied with each fixture to connect each light to the landscape wire.



4. Using a small shovel and/or water, loosen the ground where fixture will be installed. Press stake into ground.  
Note: Do not use a hammer or exert excessive force on the fixture while installing as this may cause damage.  
Note: DO NOT force stake using fixture as grip. Push from stake only.
5. Turn on 12V supply and ensure all fixtures are working. If one or more individual fixtures are not working, check each connection to landscape wire. If none come on, check connection to the 12V supply. It is recommended to wrap all connections in electrical or self-fusing tape (available at [superbrightleds.com](http://superbrightleds.com)).
6. Bury landscape wire, fixture pigtails, and connectors. A depth of 3" is recommended. Wires and connectors can also be covered by mulch or stone.