

LED PAR16 LAMP

Model No. EP16-7W5040eG-2

LED **EP16-7W5040eG-2** delivers superior brightness, valuable energy savings, and long-lasting performance. This PAR16 LED bulb is ideal for ambient lighting or general-purpose applications due to its uniform "bright white light (4000K) and replaces conventional 50 Watt incandescent light bulbs. Enjoy features such as: Instant-on, dimming options, and mercury-free.



50W

REPLACEMENT



7 Watts



Bright White



Twin Pack



Energy Efficient



Dimmable



Damp Rated

Electrical Specifications

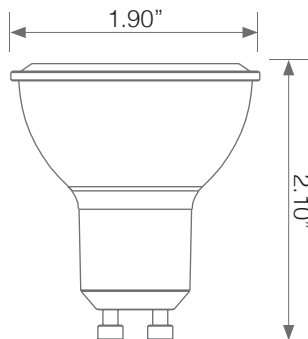
Model No.	Input Power	Input Voltage	Lumen Output	Beam Angle	Center Beam	CCT
EP16-7W5040eG-2	7 W	120V	500 lm	40°	N/A	4000 K

CRI	Luminous Efficacy	Power Factor	Input Current	Base	Lamp Lifespan	Estimated Yearly Cost
80	71 lm/W	0.7	0.07 A	GU10	25,000 Hrs.	\$ 0.84

Mechanical Specifications

Rating	Operational Temperature	Inner Box QTY.	Master Box QTY.	Dimensions(in.)	UPC Code
Damp Rated	-4F - 104 F	2 pcs	50 pcs	1.90"(ø) x 2.10"(H)	811174034056

Product Dimensions



Product Photometric Data

