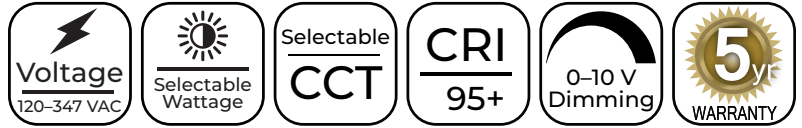




CDL8D-SW5AU-SP36



**Available Models<sup>1</sup>**

- CDL6D-SW5AU-SP27
- CDL8D-SW5AU-SP36

**Part Number Breakdown**

Example: CDL8D-SW5AU-SP36

Series	Size	Dimming	Selectable CCT	CRI	Selectable Wattage
CDL [Commercial Downlight]	6 [6 in.]	D [0-10 V]	SW5A [2700K/3000K/ 3500K/4000K/ 5000K]	U [95+]	SP27 [13/19/27 W]
	8 [8 in.]				SP36 [18/27/36 W]

**Overview**

The commercial LED downlight offers an ultra-high 95+ CRI, closely mimicking natural daylight and enhancing vibrant colors. Designed as an energy-efficient replacement for traditional metal halides, it delivers equivalent lumens with selectable CCT (2700K, 3000K, 3500K, 4000K, 5000K) and wattage, making it suitable for various applications. A wide 120° beam angle allows for broad coverage and minimal shadows. For ceiling installation, use the included spring clips. It is ideal for retail stores, art galleries, medical facilities, and other spaces.

**Applications**

- Auditoriums
- Commercial Downlights
- Conference Halls
- Hospitality
- Hospitals
- New Constructions
- Offices
- Retail Shops
- Schools

**Warranty**

- 5-year warranty

**Certifications and Compliances**

- ETL Listed - UL 1598

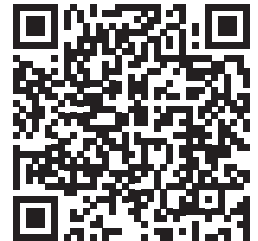


**Features**

- Ultra-high 95+ CRI for exceptional color rendering
- Selectable CCT and wattage
- 75W or 100W metal-halide equivalent
- Spring clips included for ceiling installation
- IC-rated for direct contact with insulation

**Product Details**

- White powder-coated aluminum housing with baffle trim
- Frosted polycarbonate lens
- Suitable for damp locations
- 120° beam angle
- 0-10V Dimmable
- 120-347 VAC



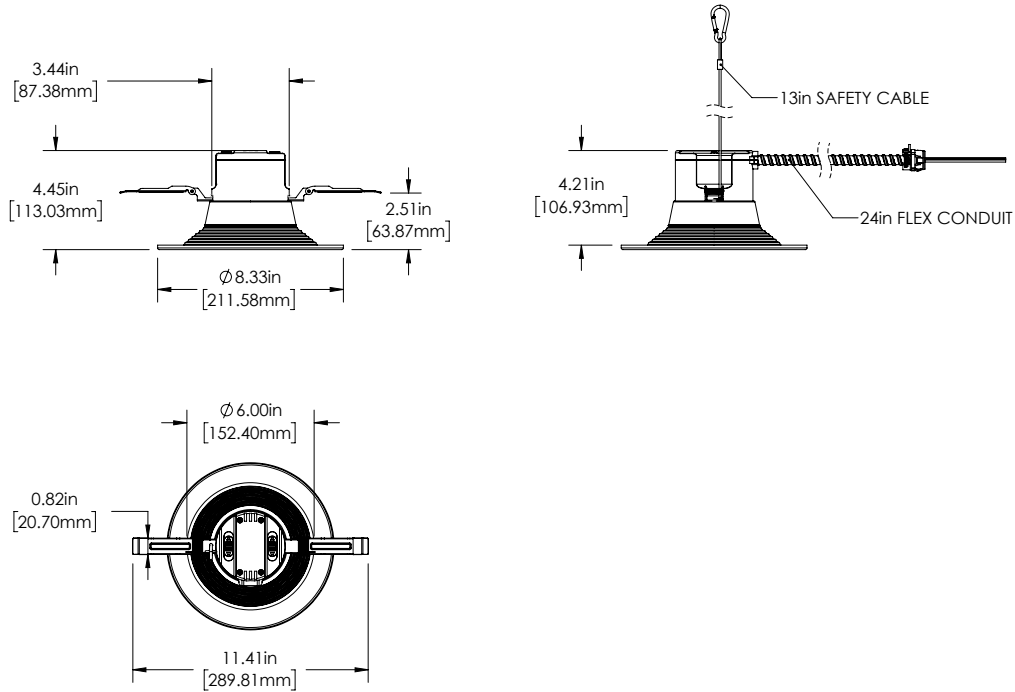
<sup>1</sup>Contact customer service if interested in other options.

# CDLxD Series

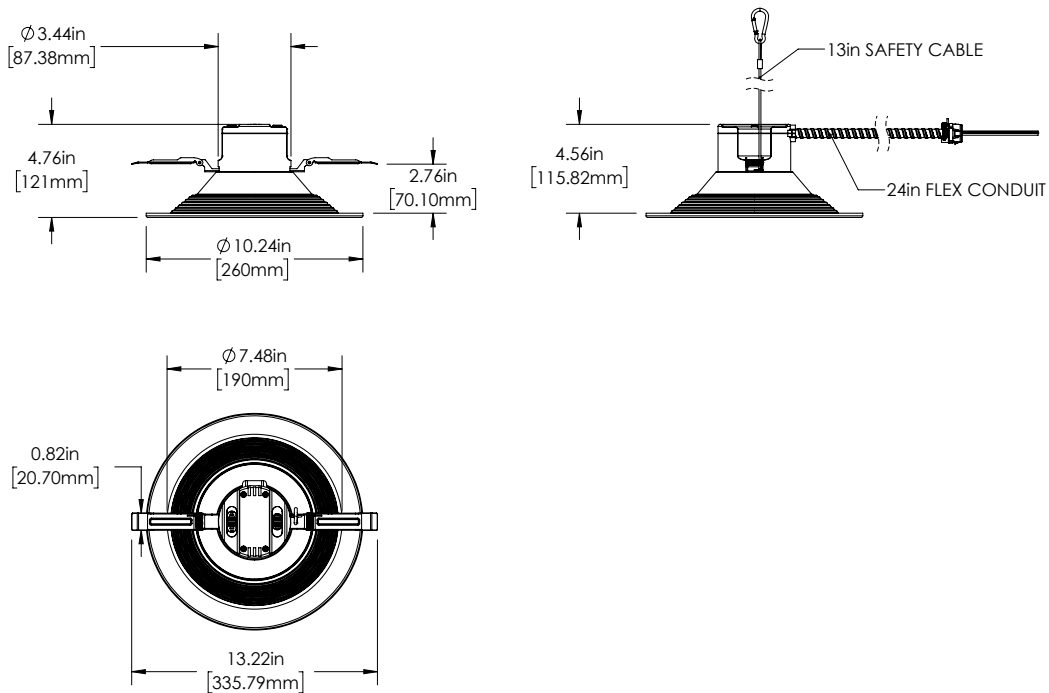
95+ CRI Selectable CCT/Wattage LED Downlight

## Dimensional Drawings

CDL6D-SW5AU-SP27



CDL8D-SW5AU-SP36



## CDLxD Series

95+ CRI Selectable CCT/Wattage LED Downlight

### Specifications

Model		CDL6D-SW5AU-SP27	CDL8D-SW5AU-SP36
Lumens		1,200/1,600/2,400 lm	1,600/2,400/3,200 lm
Wattage (selectable)		13/19/27 W	18/27/36 W
Current Draw	120 VAC	120/176/250 mA	167/250/333 mA
	277 VAC	50/75/105 mA	72/108/144 mA
Operating Voltage		120-347 VAC	
Efficacy		90 lm/W	
Color Temperature		Selectable (2700K, 3000K, 3500K, 4000K, 5000K)	
Beam Angle		120°	
CRI		95+	
Dimming		0-10 V	
IC Rated		Yes	
Airtight Rated		Yes	
Environmental Rating		Suitable for Damp Locations	
Power Factor		≥ 0.9	
Surge Protection		LN-G: 2 kV	
Rated Life (L70)		50,000 hours	
Ambient Operating Temperature		-4°-113° F (-20°-45° C)	

