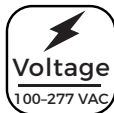


FY Series

LED Linear High Bay Specifications

Project _____

Date _____ Type _____



Description

FY high temperature LED linear high bays are constructed to withstand ambient temperatures up to 149° F. Install in areas of high heat such as manufacturing and industrial facilities. If the ambient temperature exceeds 176° F, the fixture will automatically lower the wattage to protect the internal elements as well. The aluminum housing and polycarbonate lens provide long-term protection in high temperature applications. Mount the fixture using the included suspension mount and eye bolts or use the optional surface mount kit.

Mechanical

- IP65 rated
- Powder-coated white aluminum housing and clear polycarbonate lens
- -22°-149° F (-30°-65° C) operating temperature

Electrical

- 100-277 VAC input
- ≥0.9 power factor
- 50,000 hour LED lifetime
- 4 kV surge protection

Photometrics

- 120° beam angle
- High efficacy of 150 lm/W

Available Models¹

- FY-HB-600C-100WNC-L50K336D621
- FY-HB-900C-200WNC-L50K504D622

Application

Easily replaces inefficient metal-halide fixtures such as those found in restaurants, food processing plants, kitchens, general food preparation related locations, and other areas where a specialized high bay lighting solution is required.

Warranty

Five (5) year warranty

Certifications and Compliances

These lights are Certified by UL in compliance with UL 1598 (IFAM).



Optional Accessories

- FY-NSF-SMB (surface mount bracket kit)



Notes



T 866.811.5550
F 314.972.6202
email: commercial-sales@superbrightleds.com
www.superbrightleds.com/cat/industrial-led-lighting/

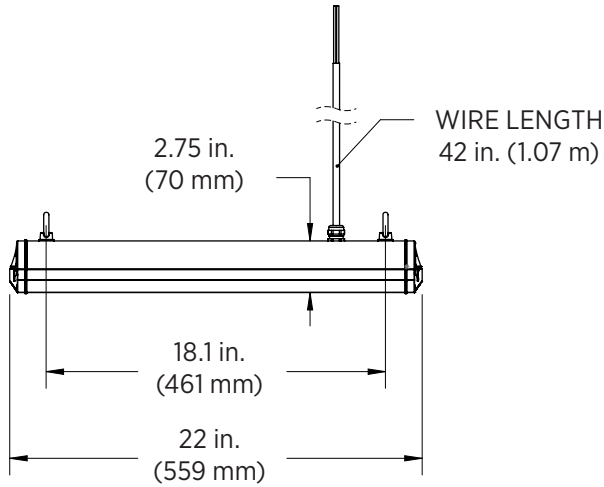
¹Contact customer service if interested in options other than those listed.

FY Series

LED Linear High Bay Specifications

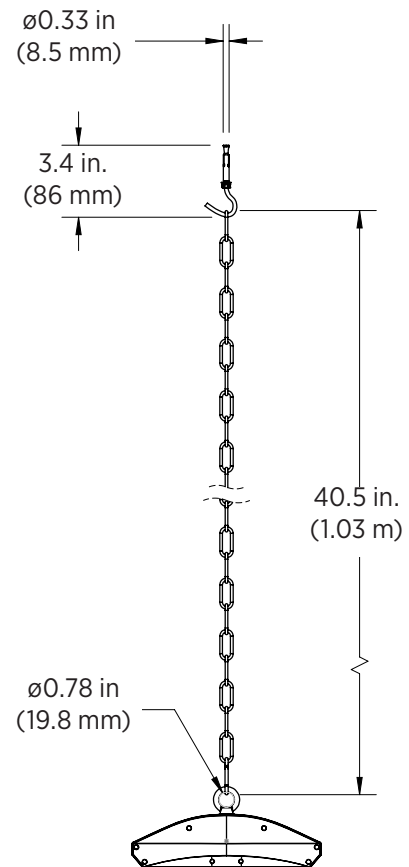
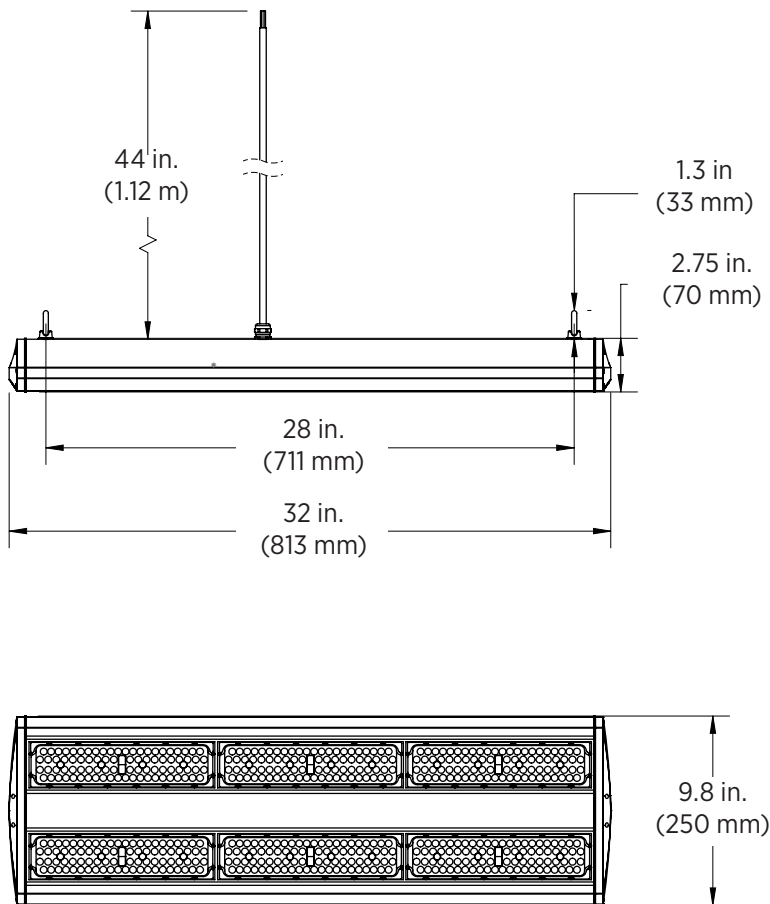
Dimensional Drawing

FY-HB-600C-100WNC-L50K336D621



Note: Suspension chain length and fixture width are the same on both models.

FY-HB-900C-200WNC-L50K504D622



FY Series

LED Wash Down Linear High Bay Specifications

Specifications

Model	FY-HB-600C-100WNC-L50K336D621	FY-HB-900C-200WNC-L50K504D622
Intensity	15,000 lm	30,000 lm
Efficacy	150 lm/W	
Operating Voltage	120-277 VAC	
Power Consumption	100 W	200 W
Current Draw	833 mA @ 120 VAC / 361 mA @ 277 VAC	1.67 A @ 120 VAC / 722 mA @ 277 VAC
Power Factor	≥0.9	
Color Temperature	5000K	
CRI	80+	
Beam Angle	120°	
Dimming	none	
IP Rating	IP65	
Ambient Operating Temperature	-22°-149° F (-30°-65° C)	
Product Weight	13 lb (5.9 kg)	17 lb (7.85 kg)
Rated Life (L70)	50,000 hours	

